

MODEL: CPM-2F | **DESCRIPTION:** PELTIER COOLING UNIT**FEATURES**

- arcTEC™ structure
- better seal structure for water resistance and absorption of thermal stress
- easy installation
- no screws to tighten result in better heat absorption and maximum performance



MODEL	input voltage ¹ max (V)	input current max (A)	output Qmax ² T _h =50°C (W)	output ΔTmax ² T _h =50°C (°C)
CPM-2F	12	6	46	73

Notes: 1. at inverse voltage, "cold side plate" becomes hot side plate
 2. maximum cooling capacity at I_{max}, V_{max} and ΔT=0°C
 3. maximum temperature difference at I_{max}, V_{max} and Q=0W (maximum parameters are measured in a vacuum)

SPECIFICATIONS

parameter	conditions/description	min	typ	max	units
internal resistance ⁴		1.85		2.35	Ω
cold side plate		-20		60	°C

Notes: 4. measured by AC 4-terminal method at 25°C

SAFETY & COMPLIANCE

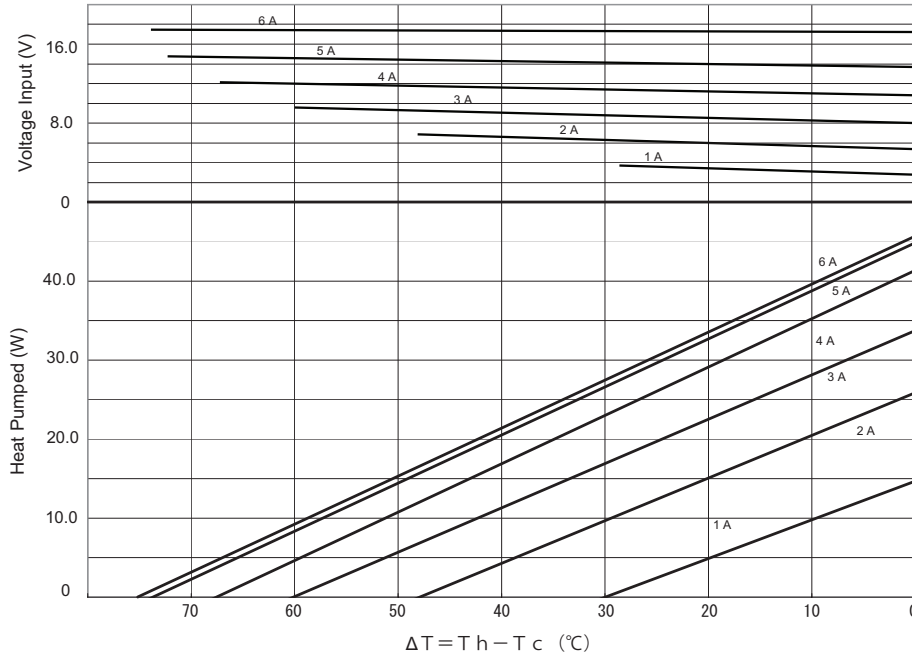
parameter	conditions/description	min	typ	max	units
isolation voltage	for 1 second			1,200	Vac
insulation resistance	input to output at 250 Vdc	10			MΩ
RoHS	yes				

ENVIRONMENTAL

parameter	conditions/description	min	typ	max	units
operating temperature		0		35	°C
storage temperature		-20		70	°C
operating humidity		30		85	%
storage humidity		10		90	%

For further information and product selection refer to peltier applicaftion notes.pdf

CPM-2F PERFORMANCE (Th=50°C)

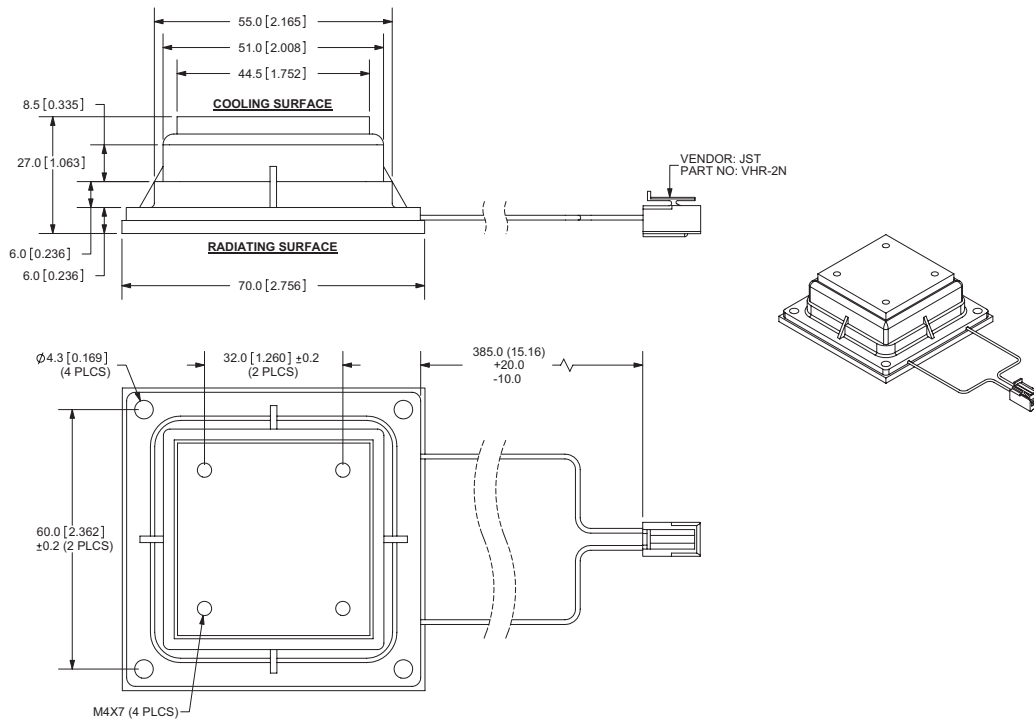


MECHANICAL

parameter	conditions/description	min	typ	max	units
weight			200		g
cooling medium	aluminum				
heat radiation medium	aluminum				

MECHANICAL DRAWING

units: mm
tolerance: ±0.3 mm



REVISION HISTORY

rev.	description	date
1.0	initial release	07/09/2008
1.01	applied new template	05/07/2012
1.02	updated datasheet	09/25/2017
1.03	brand update	11/05/2019

The revision history provided is for informational purposes only and is believed to be accurate.

CUI DEVICES

CUI Devices offers a one (1) year limited warranty. Complete warranty information is listed on our website.

CUI Devices reserves the right to make changes to the product at any time without notice. Information provided by CUI Devices is believed to be accurate and reliable. However, no responsibility is assumed by CUI Devices for its use, nor for any infringements of patents or other rights of third parties which may result from its use.

CUI Devices products are not authorized or warranted for use as critical components in equipment that requires an extremely high level of reliability. A critical component is any component of a life support device or system whose failure to perform can be reasonably expected to cause the failure of the life support device or system, or to affect its safety or effectiveness.

X-ON Electronics

Largest Supplier of Electrical and Electronic Components

Click to view similar products for [Thermoelectric Peltier Modules](#) category:

Click to view products by [CUI Devices](#) manufacturer:

Other Similar products are found below :

[C3100-1980](#) [C3200-0504](#) [C3200-0505](#) [C3200-371](#) [C3400-0262](#) [430084-505](#) [C3400-215](#) [430866-501](#) [CP39136H](#) [CP35447](#) [CP85204035](#)
[CP60131H](#) [CPM-2F](#) [CP853345H](#) [CP85138](#) [CP35347](#) [430077-523](#) [CP081030-M](#) [CP12437](#) [CP30138H](#) [CP30338](#) [CP303385H](#) [CP35247](#)
[CP39236H](#) [CP393365H](#) [CP40236](#) [CP40247](#) [CP40347](#) [CP50441](#) [CP60231H](#) [CP60233](#) [CP60239H](#) [CP60240](#) [CP60301540](#) [CP60333](#)
[CP603395H](#) [CP60340](#) [CP604395H](#) [CP60440](#) [CP70437](#) [CP854345H](#) [CP854705-2](#) [CP10205033](#) [CP10304033](#) [CP1054033H](#) [CP115035335](#)
[CP144745325](#) [CP200543636](#) [CP2020405H](#) [CP203475H](#)