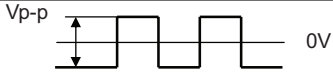


**MODEL:** CPT-1203-78-SMT-TR | **DESCRIPTION:** PIEZO BUZZER TRANSDUCER**FEATURES**

- surface mount
- SPL 78 dB
- piezo
- externally driven

**SPECIFICATIONS**

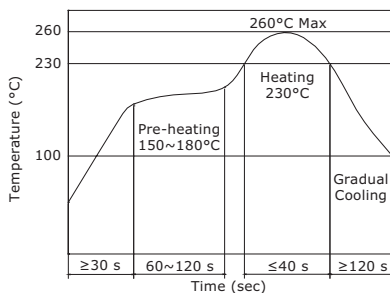
| parameter                 | conditions/description  | min    | typ    | max    | units |
|---------------------------|---|--------|--------|--------|-------|
| rated voltage             |  |        | 5      |        | Vp-p  |
| operating voltage         |   | 1      |        | 25     | Vp-p  |
| current consumption       | at rated voltage, 4,000 Hz, 1/2 duty square wave                                  |        |        | 5      | mA    |
| rated frequency           |   |        | 4,000  |        | Hz    |
| sound pressure level      | at 10 cm, rated voltage, 4,000 Hz, 1/2 duty square wave                           | 78     |        |        | dB    |
| electrostatic capacitance | at 120 Hz   | 11,200 | 16,000 | 20,800 | pF    |
| dimensions                | 12.0 x 12.0 x 3.0   |        |        |        | mm    |
| weight                    |   |        | 0.4    |        | g     |
| material                  | LCP   |        |        |        |       |
| terminal                  | surface mount (brass with tin plating)  |        |        |        |       |
| operating temperature     |   | -40    |        | 85     | °C    |
| storage temperature       |   | -40    |        | 85     | °C    |
| RoHS                      | yes   |        |        |        |       |

Notes: 1. All specifications measured at 25±3°C, humidity at 60~70%, under 86~106 kPa pressure, unless otherwise noted.

**SOLDERABILITY**

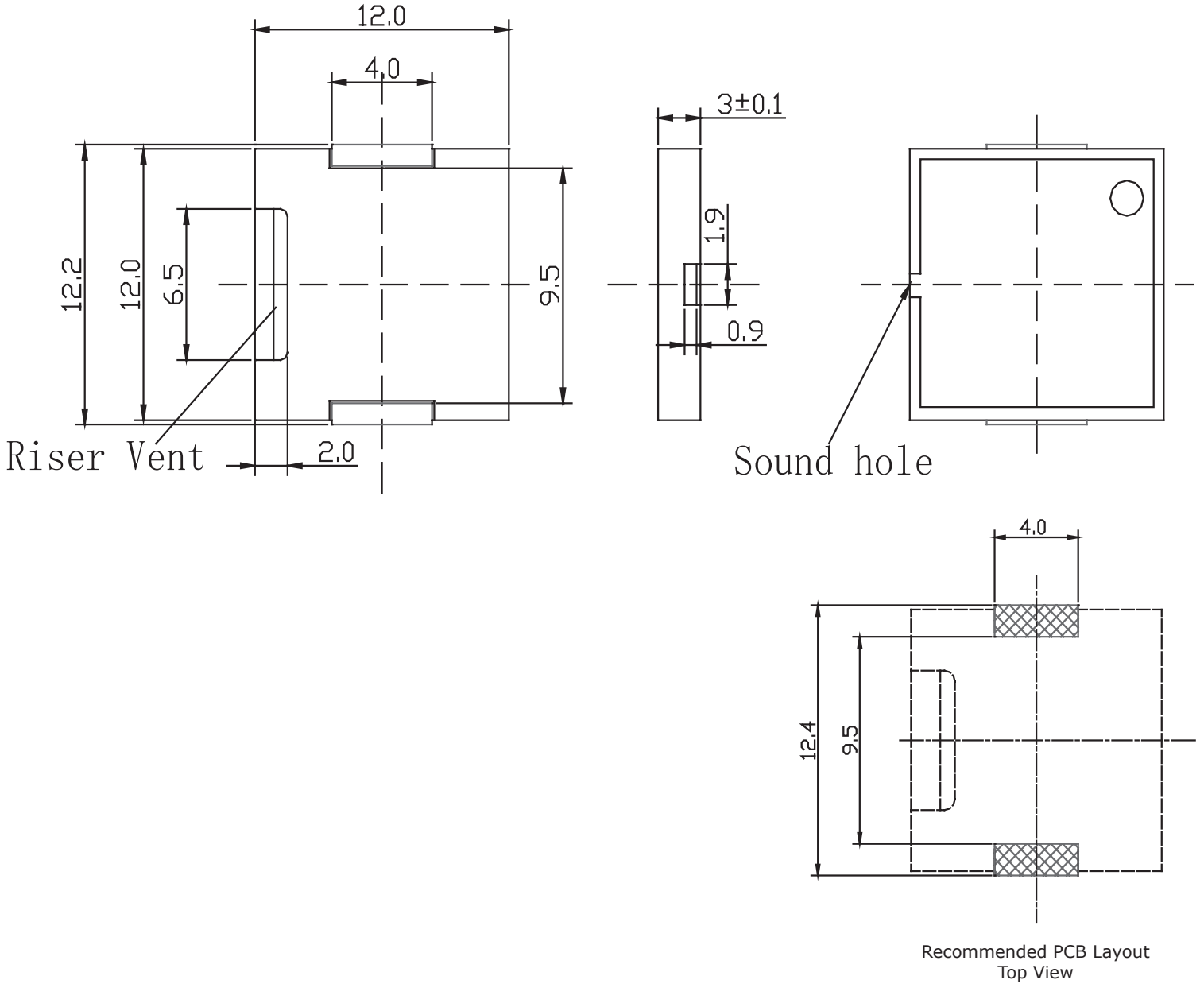
| parameter                      | conditions/description                   | min | typ | max | units |
|--------------------------------|--|-----|-----|-----|-------|
| reel storage                   | at relative humidity <60%                |     |     | 25  | °C    |
| reflow soldering <sup>2</sup>  | see recommended reflow soldering profile |     |     | 260 | °C    |
| drying conditions <sup>3</sup> | bake at 40°C for 24 hours                |     |     |     |       |

Note: 2. It is recommended to reflow solder within 48 hours from opening vacuum packaging at a temperature <30°C & relative humidity <60%.  
3. When out of packaging for more than 48 hours.

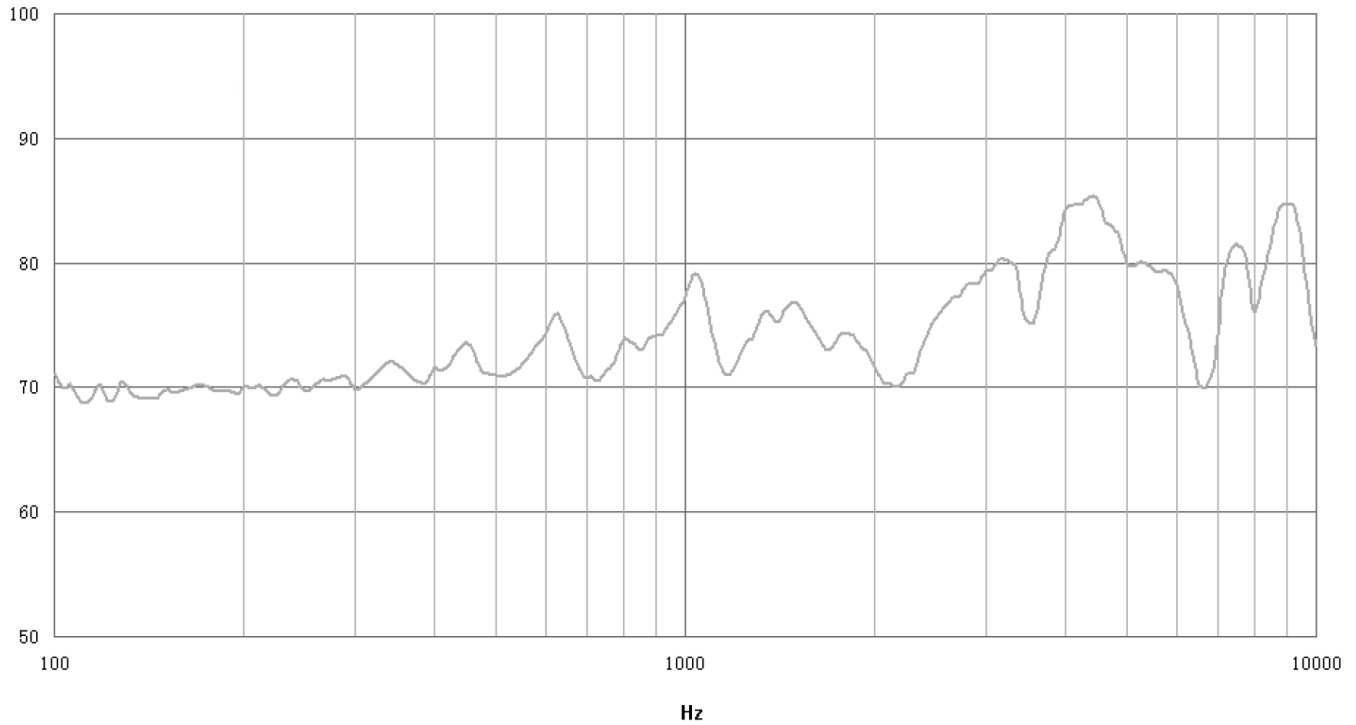


## MECHANICAL DRAWING

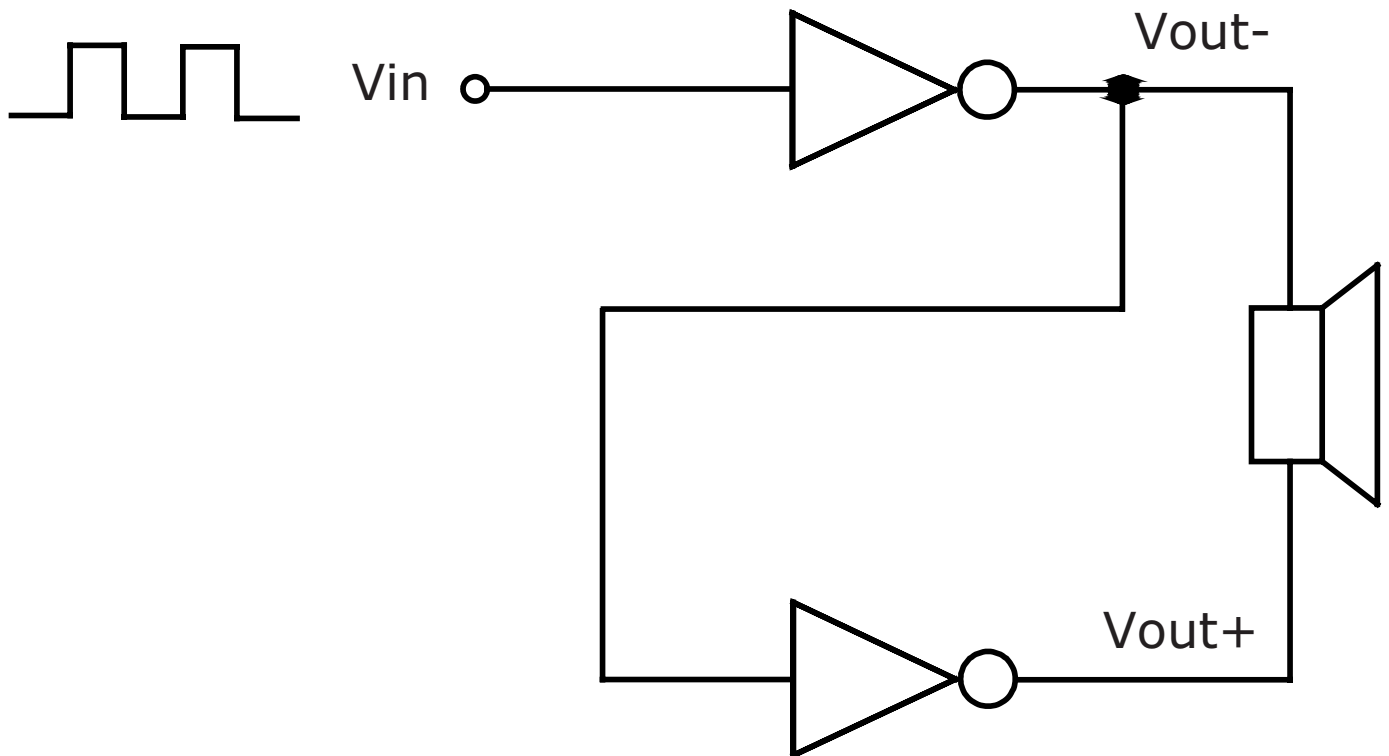
units: mm  
tolerance:  $\pm 0.5$  mm



## FREQUENCY RESPONSE CURVE



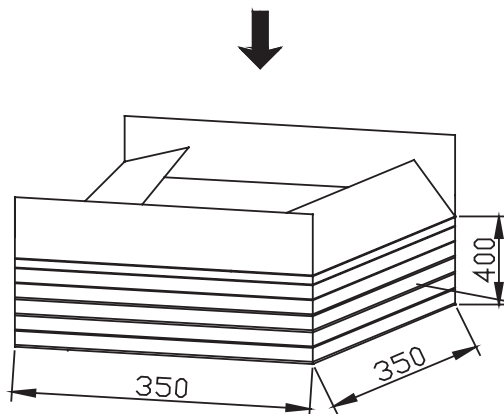
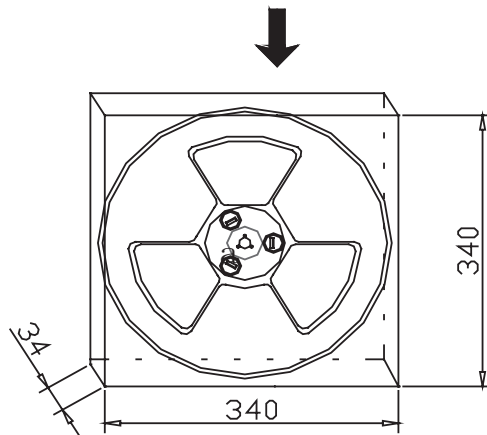
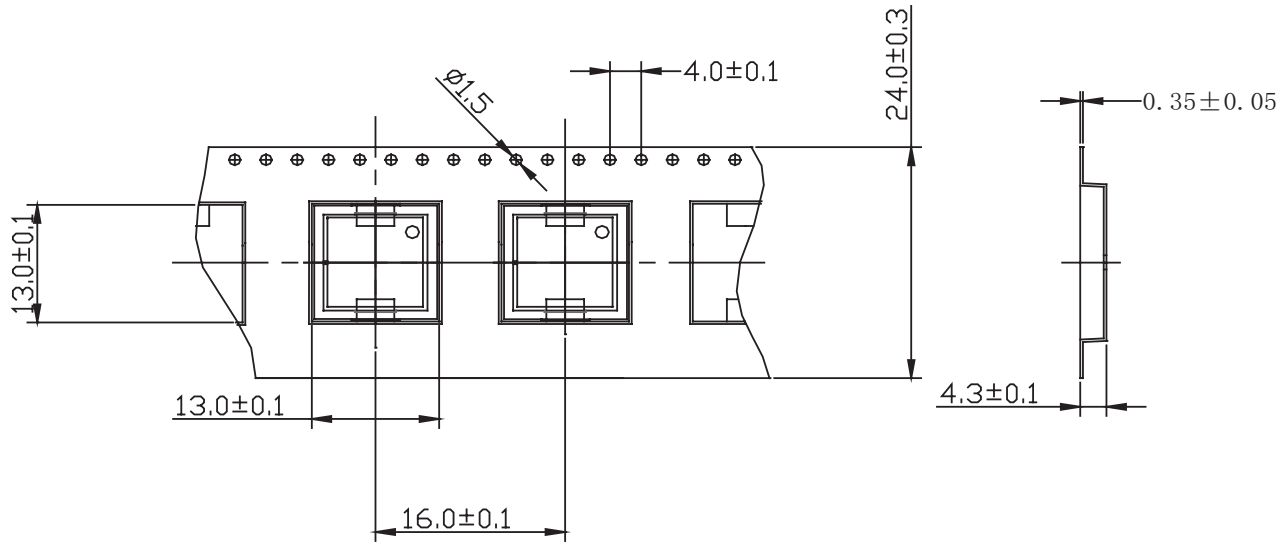
## APPLICATION CIRCUIT



## PACKAGING

units: mm

Reel Size:  $\varnothing 330$  mm  
 Reel QTY: 1,000 pcs per reel  
 Carton Size: 350 x 350 x 400 mm  
 Carton QTY: 10,000 pcs per carton



MODEL:  
 QTY: 10000PCS  
 N.W: 4.0Kg  
 G.W: 6.0Kg  
 SIZE: 35\*35\*40  
 LOT NO:

## REVISION HISTORY

---

| rev. | description     | date       |
|------|-----------------|------------|
| 1.0  | initial release | 07/15/2019 |
| 1.01 | brand update    | 01/03/2020 |

The revision history provided is for informational purposes only and is believed to be accurate.

---

# CUI DEVICES

CUI Devices offers a one (1) year limited warranty. Complete warranty information is listed on our website.

CUI Devices reserves the right to make changes to the product at any time without notice. Information provided by CUI Devices is believed to be accurate and reliable. However, no responsibility is assumed by CUI Devices for its use, nor for any infringements of patents or other rights of third parties which may result from its use.

CUI Devices products are not authorized or warranted for use as critical components in equipment that requires an extremely high level of reliability. A critical component is any component of a life support device or system whose failure to perform can be reasonably expected to cause the failure of the life support device or system, or to affect its safety or effectiveness.

## X-ON Electronics

Largest Supplier of Electrical and Electronic Components

*Click to view similar products for [Piezo Buzzers & Audio Indicators](#) category:*

*Click to view products by [CUI Devices](#) manufacturer:*

Other Similar products are found below :

[6-4](#) [68S1240-PA](#) [MBA-624](#) [FDG06PSLLF](#) [FDG111PLF](#) [F/EM12PLF](#) [F/NRMB 24 BLACK LF](#) [PF-35N29WQ](#) [PFD-21A29W](#) [PFD-27A35PQ](#) [PL-21N30WQ](#) [PL-27A35PSQ](#) [PLD-21N30W](#) [PLD-21N30WQ](#) [PS-531Q](#) [PT-3534FP](#) [EBPT-401](#) [B822B](#) [PB-1220PEQ](#) [S6109](#) [SBM616PR](#) [SC110E](#) [SC2036ACP](#) [SC616N-2](#) [SC628FW](#) [SC628MPG](#) [SC648D](#) [SCS045MD9DT3S](#) [ESZ-25B-5-250B](#) [FCM12PLF](#) [SSX-52SA](#) [F/EB20P-DR LF](#) [F/SMD03A LF](#) [FSMD8585JSLF](#) [F/TCW 12 WITH LABEL LF](#) [F/UCW 06 WITH LABEL LF](#) [PFD-27N36W](#) [PKM22EPPH40S1-B0](#) [PKM35-4A0](#) [PL-35N29WQ](#) [PLD-27A35PQ](#) [PS-552Q](#) [CM-5](#) [REF-202](#) [B/SE 128 RED LF](#) [KBS-20DA-7AS](#) [KBS-27DA-5C-105](#) [LSC628ANR](#) [03-810.001](#) [RTO-1R07-001](#)