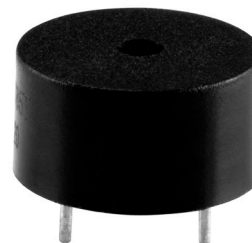
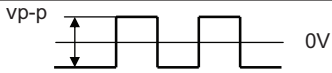


MODEL: CPT-147-85T | **DESCRIPTION:** PIEZO BUZZER TRANSDUCER**FEATURES**

- 10 Vp-p
- 85 dB
- through hole

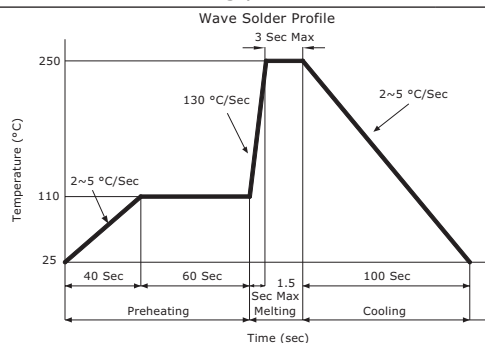
**SPECIFICATIONS**

| parameter | conditions/description | min | typ | max | units |
|---------------------------|---|-------|--------|--------|-------|
| rated voltage | v_{p-p}  | | 10 | | Vp-p |
| operating voltage | | | | 20 | Vp-p |
| current consumption | at rated voltage, 4,000 Hz, 1/2 duty square wave | | | 7 | mA |
| rated frequency | | | 4,000 | | Hz |
| sound pressure level | at 10 cm, rated voltage, 4,000 Hz, 1/2 duty square wave | 85 | | | dB |
| electrostatic capacitance | at 1.0 V, 120 Hz | 9,100 | 13,000 | 16,900 | pF |
| dimensions | Ø14.0 x 7.0 | | | | mm |
| weight | | | 1.0 | | g |
| material | PBT | | | | |
| terminal | pins (tin plating) | | | | |
| operating temperature | | -40 | | 85 | °C |
| storage temperature | | -40 | | 85 | °C |
| washable | yes | | | | |
| RoHS | yes | | | | |

Notes: 1. All specifications measured at 5~35°C, humidity at 45~85%, under 86~106kPa pressure, unless otherwise noted.

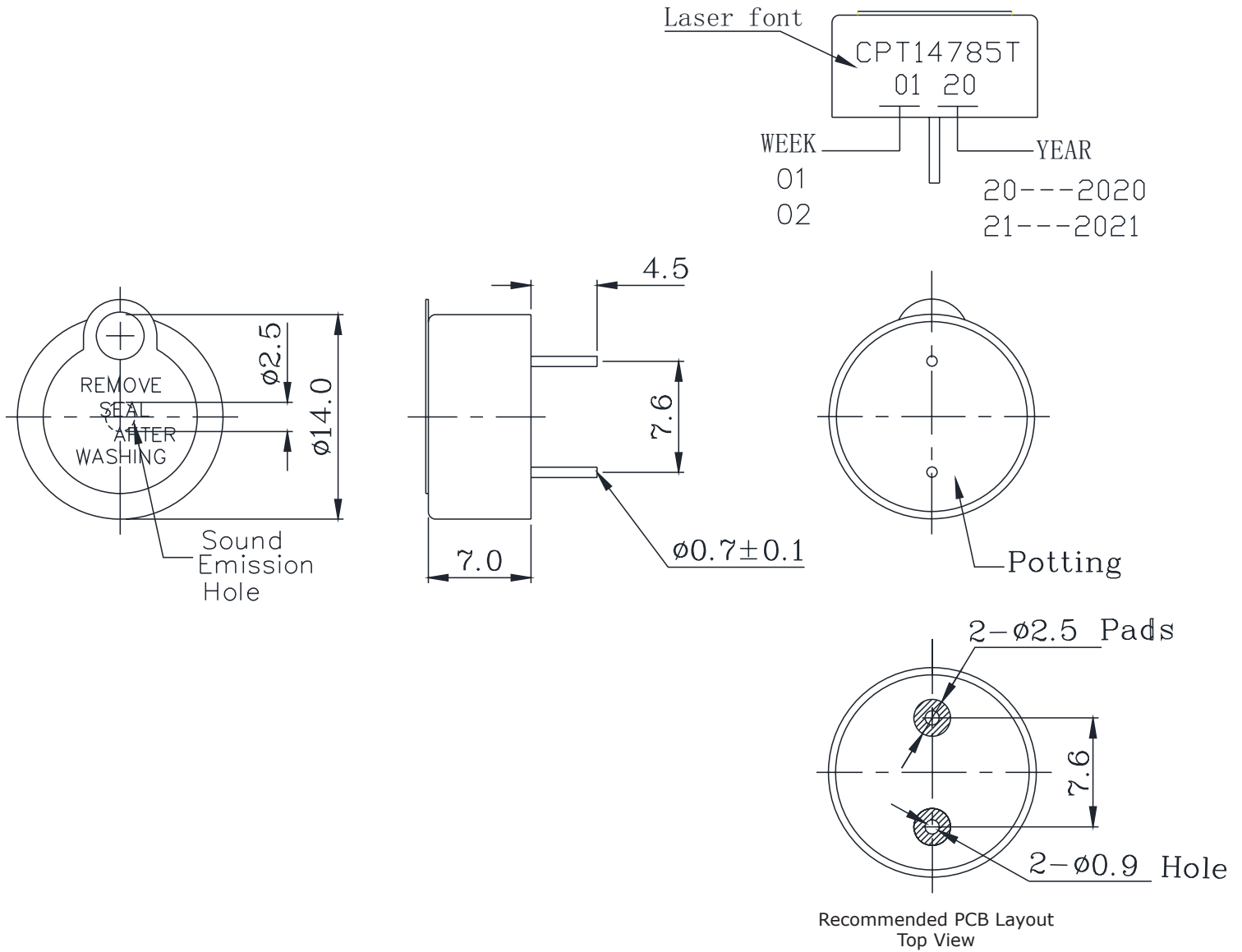
SOLDERABILITY

| parameter | conditions/description | min | typ | max | units |
|----------------|--|-----|-----|-----|-------|
| hand soldering | maximum 2 seconds | 330 | | 380 | °C |
| wave soldering | see recommended wave soldering profile | | | 250 | °C |

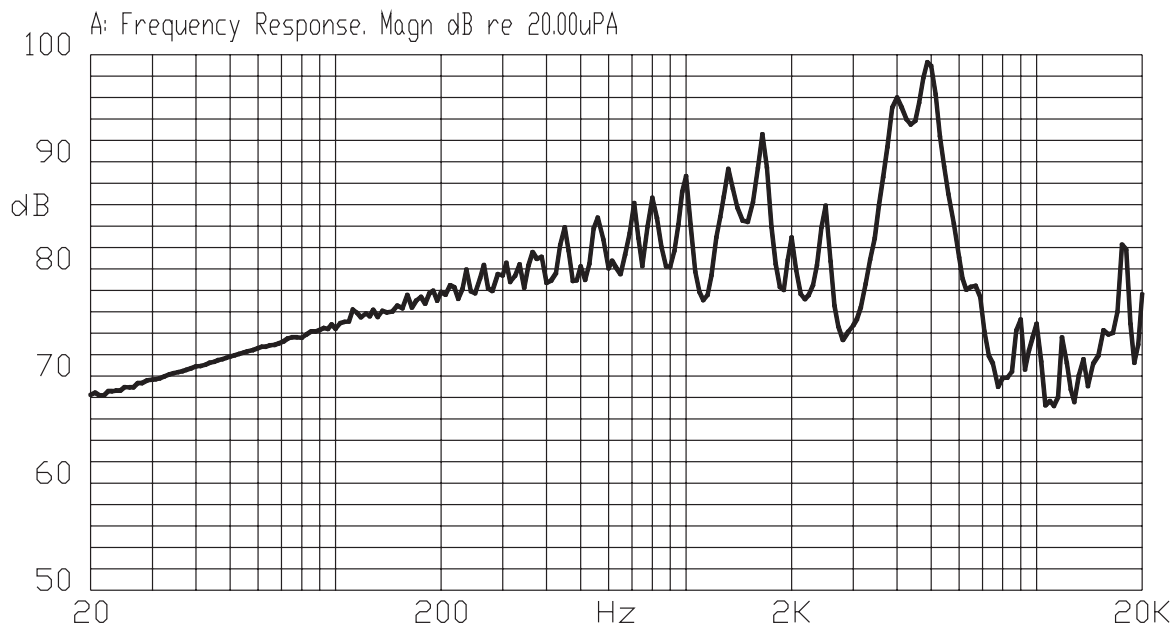


MECHANICAL DRAWING

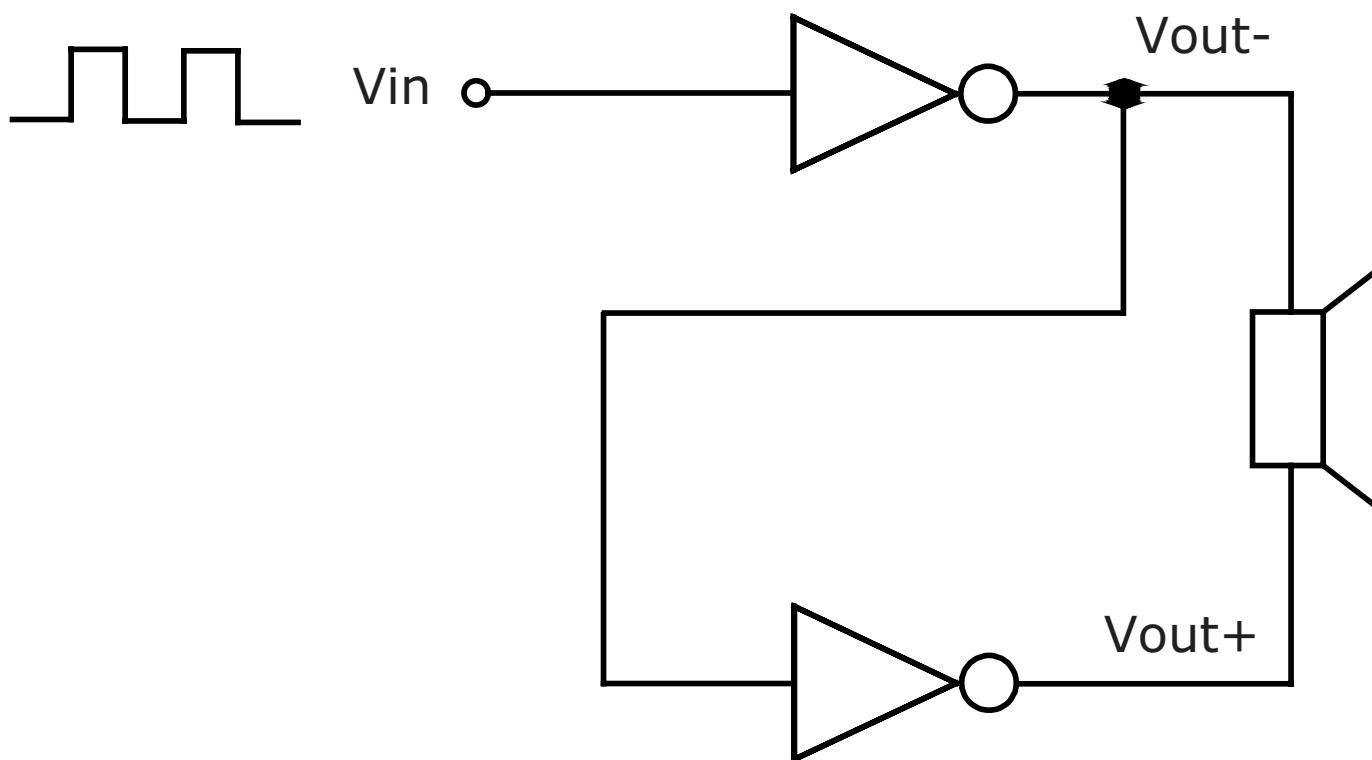
units: mm
tolerance: ± 0.5 mm



FREQUENCY RESPONSE CURVE



APPLICATION CIRCUIT

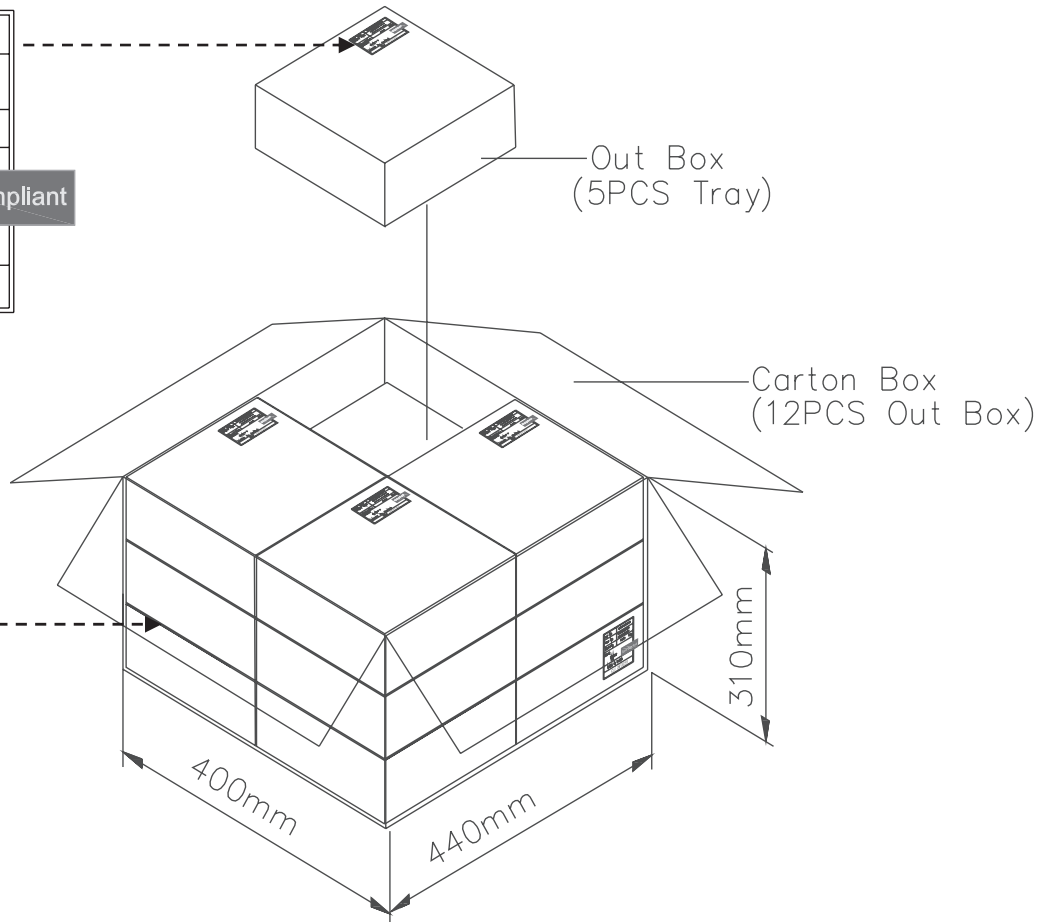


PACKAGING

units: mm

Tray Size: 184 x 180 x 23 mm
 Carton Size: 440 x 400 x 310 mm
 Tray QTY: 100 pcs per tray
 Carton QTY: 6,000 pcs per carton

| | |
|-----------|--------------------------|
| Lot No. | XXXXXXXXXX |
| Part No. | XXXXXXXXXX XXXXXXXXXX |
| Quantity. | XXXX Pcs |
| Date: | |
| | WWYY |
| | RoHs Compliant |
| | MADE IN CHINA |
| | CUI DEVICES |



REVISION HISTORY

| rev. | description | date |
|------|-----------------|------------|
| 1.0 | initial release | 09/15/2020 |

The revision history provided is for informational purposes only and is believed to be accurate.

CUI DEVICES

CUI Devices offers a one (1) year limited warranty. Complete warranty information is listed on our website.

CUI Devices reserves the right to make changes to the product at any time without notice. Information provided by CUI Devices is believed to be accurate and reliable. However, no responsibility is assumed by CUI Devices for its use, nor for any infringements of patents or other rights of third parties which may result from its use.

CUI Devices products are not authorized or warranted for use as critical components in equipment that requires an extremely high level of reliability. A critical component is any component of a life support device or system whose failure to perform can be reasonably expected to cause the failure of the life support device or system, or to affect its safety or effectiveness.

X-ON Electronics

Largest Supplier of Electrical and Electronic Components

Click to view similar products for [Piezo Buzzers & Audio Indicators](#) category:

Click to view products by [CUI Devices](#) manufacturer:

Other Similar products are found below :

[6-4](#) [68S1240-PA](#) [MBA-624](#) [FDG06PSLLF](#) [FDG111PLF](#) [F/DGX12P WITH LABEL LF](#) [F/EM12PLF](#) [F/NRMB 24 BLACK LF](#) [PF-35N29WQ](#) [PFD-21A29W](#) [PFD-27A35PQ](#) [PL-21N30WQ](#) [PL-27A35PSQ](#) [PLD-21N30W](#) [PLD-21N30WQ](#) [PS-531Q](#) [PT-3534FP](#) [EBPT-401](#) [B822B](#) [PB-1220PEQ](#) [S6109](#) [SBM616PR](#) [SC110E](#) [SC2036ACP](#) [SC616N-2](#) [SC628FW](#) [SC628MPG](#) [SC648D](#) [SCS045MD9DT3S](#) [ESZ-25B-5-250B](#) [FCM12PLF](#) [SSX-52SA](#) [F/EB20P-DR LF](#) [F/SMD03A LF](#) [FSMD8585JSLF](#) [F/TCW 12 WITH LABEL LF](#) [F/UCW 06 WITH LABEL LF](#) [PFD-27N36W](#) [PKM22EPPH40S1-B0](#) [PKM35-4A0](#) [PL-35N29WQ](#) [PLD-27A35PQ](#) [PS-552Q](#) [CM-5](#) [REF-202](#) [B/SE 128 RED LF](#) [KBS-20DA-7AS](#) [KBS-27DA-5C-105](#) [LSC628ANR](#) [03-810.001](#)