


## MODEL: CST-931AP | DESCRIPTION: MAGNETIC BUZZER TRANSDUCER

### FEATURES

- top port
- 85 db SPL minimum
- externally driven



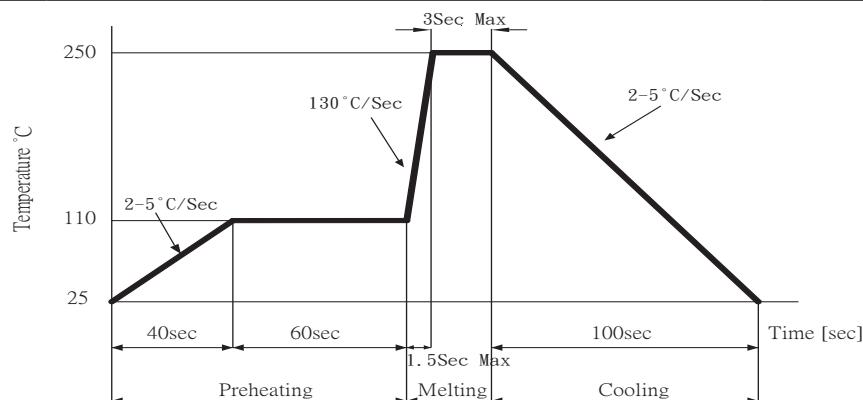
### SPECIFICATIONS

| parameter             | conditions/description  | min  | typ   | max  | units |
|-----------------------|---|------|-------|------|-------|
| rated voltage         |  |      | 3.0   |      | Vo-p  |
| operating voltage     |   | 2.0  |       | 4.0  | Vo-p  |
| current consumption   | at rated voltage, 2,730 Hz square wave, 1/2 duty                                  |      |       | 80   | mA    |
| rated frequency       |   |      | 2,730 |      | Hz    |
| sound pressure level  | at 10 cm (A-weight), rated voltage, 2,730 Hz square wave, 1/2 duty                | 85   | 92    |      | dba   |
| coil resistance       |   | 12.7 | 15.0  | 17.3 | Ω     |
| dimensions            | ∅9.0 x 4.5  |      |       |      | mm    |
| weight                |   |      | 0.65  |      | g     |
| material              | PBT   |      |       |      |       |
| terminal              | pin type (Au plating)   |      |       |      |       |
| operating temperature |   | -30  |       | 70   | °C    |
| storage temperature   |   | -30  |       | 80   | °C    |
| RoHS                  | yes   |      |       |      |       |

Notes: 1. All specifications measured at 5~35°C, humidity at 45~85%, under 86~106kPa pressure, unless otherwise noted.

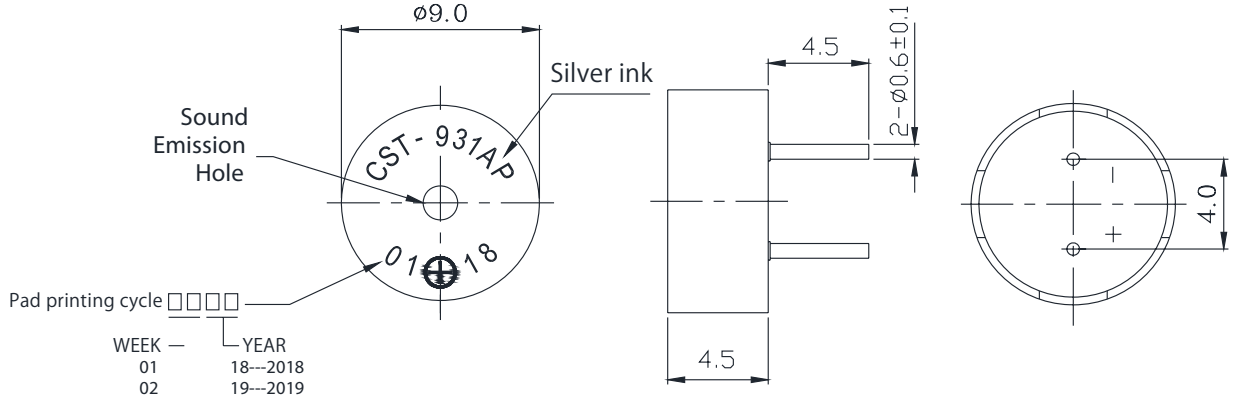
### SOLDERABILITY

| parameter      | conditions/description     | min | typ | max | units |
|----------------|----------------------------|-----|-----|-----|-------|
| wave soldering | see wave soldering profile |     |     | 250 | °C    |

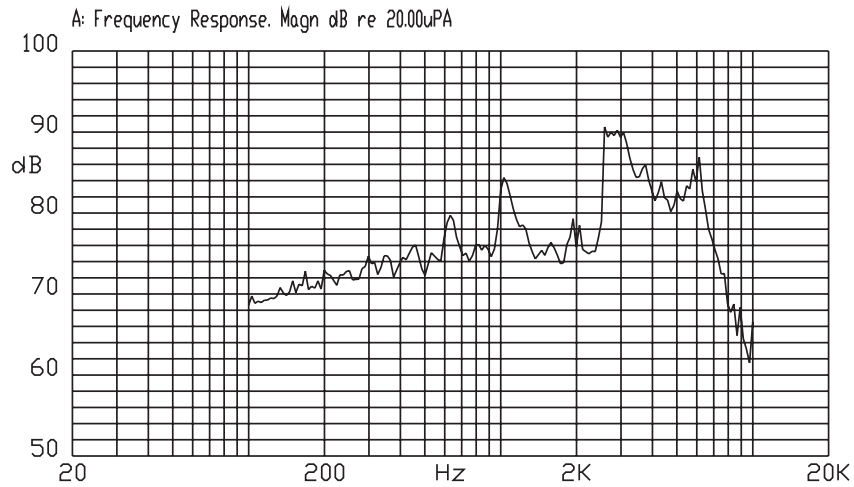


## MECHANICAL DRAWING

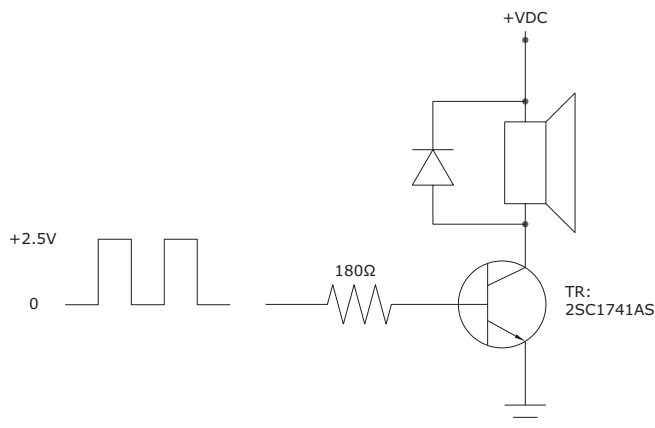
units: mm  
tolerance: ±0.5 mm



## FREQUENCY RESPONSE CURVE

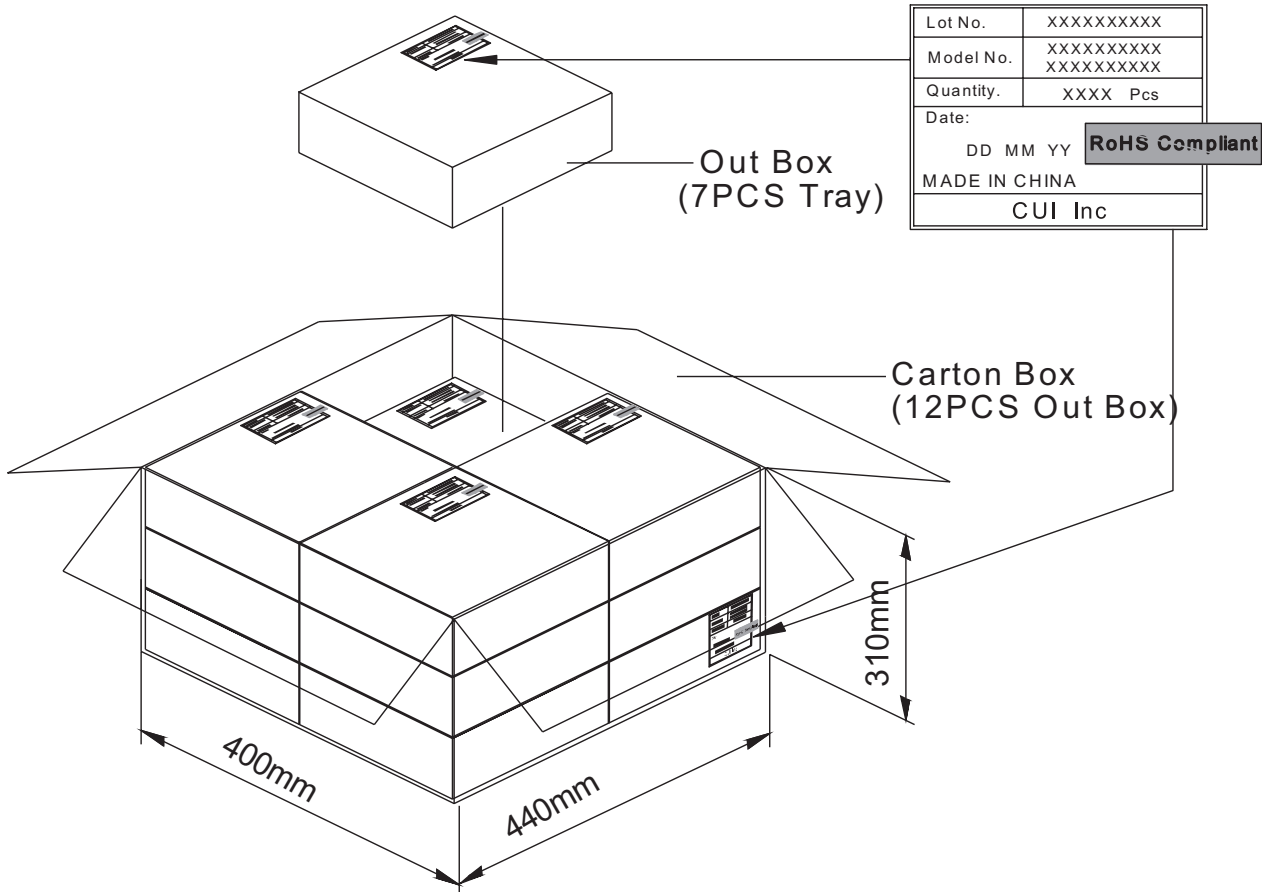
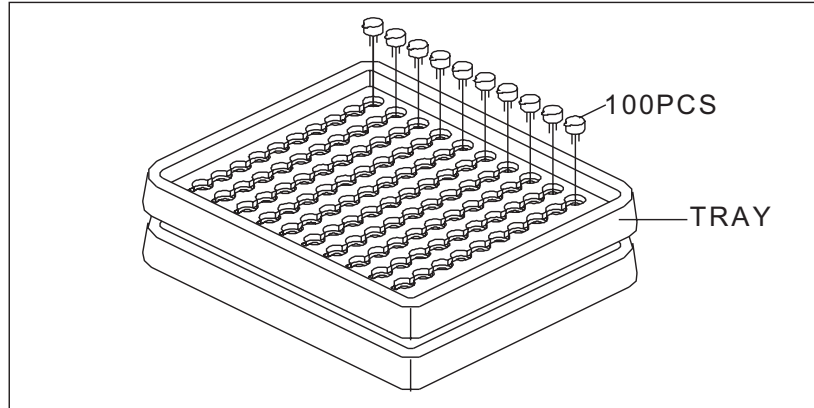


## MEASUREMENT METHOD



## PACKAGING

Tray Size: 184 x 184 x 23 mm  
 Internal Box Size: 200 x 190 x 100 mm  
 Carton Size: 440 x 400 x 310 mm  
 QTY: 8,400 pcs (100 x 7 x 12)



## REVISION HISTORY

---

| rev. | description                              | date       |
|------|--|------------|
| 1.0  | initial release                          | 01/30/2006 |
| 1.01 | applied new spec template                | 01/14/2016 |
| 1.02 | changed to single plastic housing design | 08/27/2018 |
| 1.03 | brand update                             | 12/03/2019 |

The revision history provided is for informational purposes only and is believed to be accurate.

---

# CUI DEVICES

CUI Devices offers a one (1) year limited warranty. Complete warranty information is listed on our website.

CUI Devices reserves the right to make changes to the product at any time without notice. Information provided by CUI Devices is believed to be accurate and reliable. However, no responsibility is assumed by CUI Devices for its use, nor for any infringements of patents or other rights of third parties which may result from its use.

CUI Devices products are not authorized or warranted for use as critical components in equipment that requires an extremely high level of reliability. A critical component is any component of a life support device or system whose failure to perform can be reasonably expected to cause the failure of the life support device or system, or to affect its safety or effectiveness.

## X-ON Electronics

Largest Supplier of Electrical and Electronic Components

*Click to view similar products for [Piezo Buzzers & Audio Indicators](#) category:*

*Click to view products by [CUI Devices](#) manufacturer:*

Other Similar products are found below :

[6-4](#) [68S1240-PA](#) [MBA-624](#) [FDG06PSLLF](#) [FDG111PLF](#) [PF-35N29WQ](#) [PFD-21A29W](#) [PFD-27A35PQ](#) [PL-21N30WQ](#) [PL-27A35PSQ](#) [PLD-21N30W](#) [PLD-21N30WQ](#) [PS-531Q](#) [PT-3534FP](#) [EBPT-401](#) [B822B](#) [PB-1220PEQ](#) [S6109](#) [SBM616PR](#) [SC110E](#) [SC2036ACP](#) [SC616N-2](#) [SC628FW](#) [SC628MPG](#) [SC648D](#) [SCS045MD9DT3S](#) [ESZ-25B-5-250B](#) [FCM12PLF](#) [SSX-52SA](#) [F/EB20P-DR LF](#) [F/SMD03A LF](#) [FSMD8585JSLF](#) [F/TCW 12 WITH LABEL LF](#) [F/UCW 06 WITH LABEL LF](#) [PFD-27N36W](#) [PKM22EPPH40S1-B0](#) [PKM35-4A0](#) [PL-35N29WQ](#) [PLD-27A35PQ](#) [PS-552Q](#) [CM-5](#) [REF-202](#) [B/SE 128 RED LF](#) [KBS-20DA-7AS](#) [KBS-27DA-5C-105](#) [LSC628ANR](#) [03-810.001](#) [RTO-1R07-001](#) [PL-21N31PQ](#) [F-B-P1405ISB LF](#)