

SERIES: HSE-BX-01 | **DESCRIPTION:** HEAT SINK**FEATURES**

- TO-220 package
- round or slot hole option
- low profile

**MODEL**

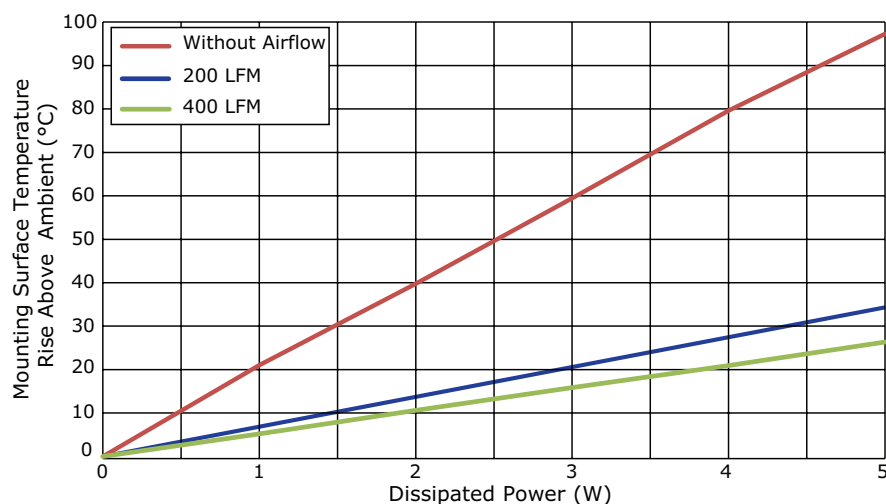
MODEL	mounting hole		thermal resistance ¹				power dissipation ¹
	type	size (mm)	@ 75°C ΔT, nat conv (°C/W)	@ 1 W, nat conv (°C/W)	@ 1 W, 200 LFM (°C/W)	@ 1 W, 400 LFM (°C/W)	@ 75°C ΔT, nat conv (W)
HSE-B2111-038	round	Ø3.8	19.74	20.99	6.12	5.18	3.80
HSE-B1711-032	round	Ø3.2	20.27	22.39	6.84	5.05	3.70
HSE-B1711-057	slot	3.2 x 5.7	24.19	24.30	7.07	5.79	3.10

Note: 1. See performance curves for full thermal resistance details.

PERFORMANCE CURVES**HSE-B2111-038**

Power (W)	Heatsink Temperature Rise Above Ambient ($\Delta T = T_{hs} - T_a$) (°C)		
	Natural Conv.	200 LFM	400 LFM
0	0	0	0
1	20.99	6.12	5.18
2	39.76	13.23	10.62
3	59.46	19.90	15.87
4	79.61	26.92	20.94
5	97.29	34.35	26.37

T_{hs} : "hot spot" temperature measured on the heatsink
 T_a : ambient temperature

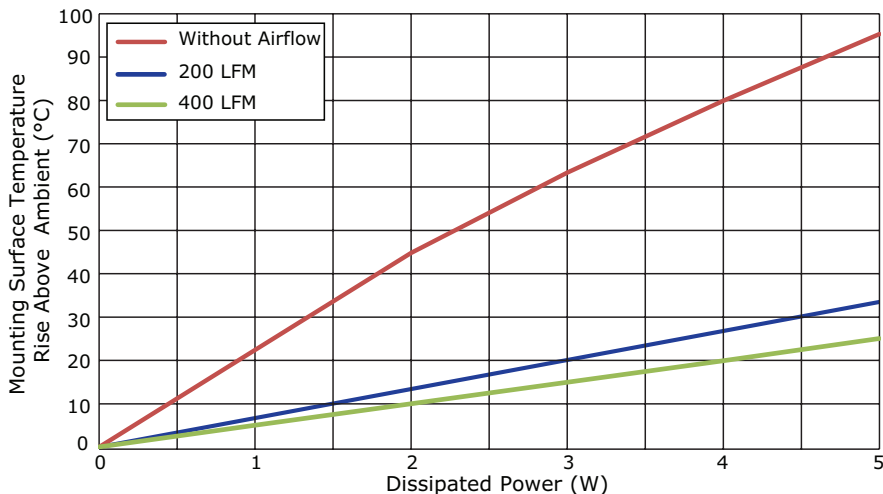


PERFORMANCE CURVES (CONTINUED)

HSE-B1711-032

Power (W)	Heatsink Temperature Rise Above Ambient ($\Delta T = T_{hs} - T_a$) (°C)		
	Natural Conv.	200 LFM	400 LFM
0	0	0	0
1	22.39	6.84	5.05
2	44.78	13.44	9.99
3	63.30	20.16	14.97
4	79.94	26.86	19.95
5	95.30	33.50	25.04

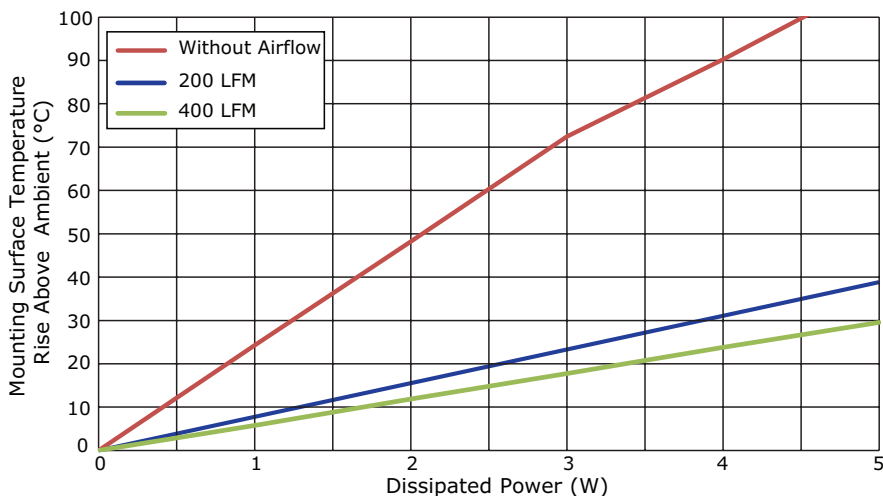
T_{hs} : "hot spot" temperature measured on the heatsink
 T_a : ambient temperature



HSE-B1711-057

Power (W)	Heatsink Temperature Rise Above Ambient ($\Delta T = T_{hs} - T_a$) (°C)		
	Natural Conv.	200 LFM	400 LFM
0	0	0	0
1	24.30	7.07	5.79
2	48.19	15.28	11.89
3	72.44	22.86	17.72
4	90.24	30.47	23.81
5	109.19	38.84	29.57

T_{hs} : "hot spot" temperature measured on the heatsink
 T_a : ambient temperature

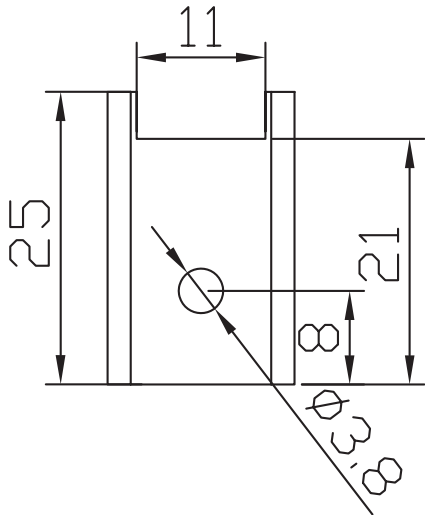


MECHANICAL DRAWING

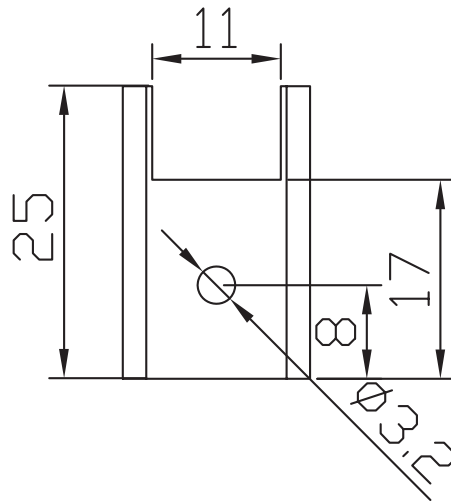
units: mm
tolerance: ±0.5 mm

MATERIAL	AL 6063-T5
FINISH	black anodized
WEIGHT	4.4 g

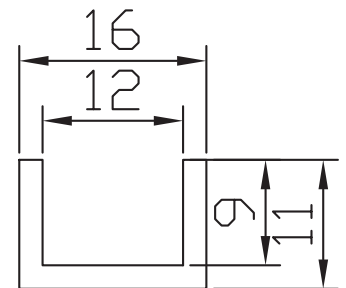
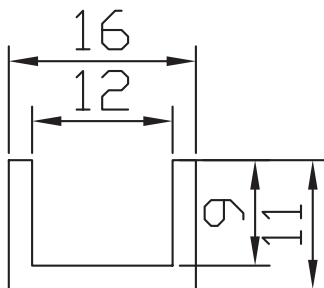
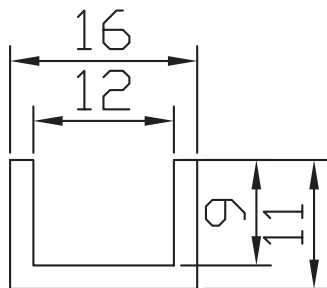
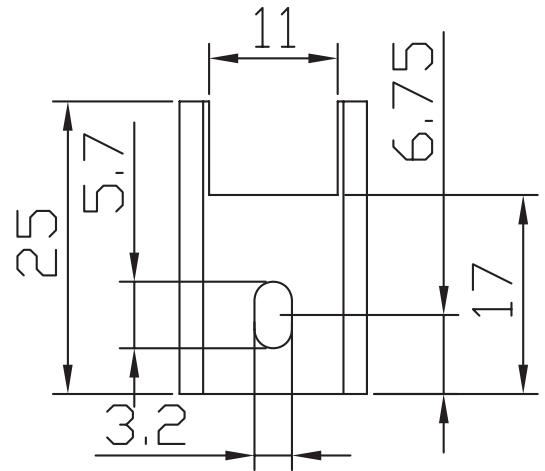
HSE-B2111-038



HSE-B1711-032



HSE-B1711-057



REVISION HISTORY

rev.	description	date
1.0	initial release	05/09/2017
1.01	brand update	02/10/2020

The revision history provided is for informational purposes only and is believed to be accurate.

CUI DEVICES

CUI Devices offers a one (1) year limited warranty. Complete warranty information is listed on our website.

CUI Devices reserves the right to make changes to the product at any time without notice. Information provided by CUI Devices is believed to be accurate and reliable. However, no responsibility is assumed by CUI Devices for its use, nor for any infringements of patents or other rights of third parties which may result from its use.

CUI Devices products are not authorized or warranted for use as critical components in equipment that requires an extremely high level of reliability. A critical component is any component of a life support device or system whose failure to perform can be reasonably expected to cause the failure of the life support device or system, or to affect its safety or effectiveness.

X-ON Electronics

Largest Supplier of Electrical and Electronic Components

Click to view similar products for [Heat Sinks](#) category:

Click to view products by [CUI Devices](#) manufacturer:

Other Similar products are found below :

[581102B00000G](#) [656-15ABPE](#) [657-20ABPNE](#) [7020B-TC12-MTG](#) [73452PPBA](#) [7G0011A](#) [PF720G](#) [A22-4026](#) [120-1873-007](#) [HAH10L](#)
[HAH15L](#) [1542616-1](#) [HS-2506-F1](#) [HS-87M0-F2](#) [218-40CTE3](#) [231-69PAB-15V](#) [25-7520](#) [SW50-4G](#) [231-75PAB-13V](#) [231-75PAB-15V](#) [253-](#)
[122ABE-22](#) [PSC22CB](#) [HAF10L](#) [HAQ10T](#) [D10100-28](#) [BDN183CBA01](#) [3-21053-4](#) [32438](#) [TX0506-1B](#) [TX1806B](#) [LAE66A3CB](#) [WA-DT2-](#)
[101E](#) [511-3U](#) [73381PPBA](#) [73403PPBA](#) [7G0047C](#) [COMX-440-HSP](#) [510-12M](#) [D10650-40T5](#) [V8511 Y](#) [APF40-40-13CB/A01](#)
[780653U04500G](#) [ATS-54310K-C2-R0](#) [FK 216 CB SA](#) [FK 231 SA 220](#) [648-51AB](#) [657-20ABPESC](#) [2341BG](#) [679-25AG](#) [FK 212 CB SA](#)