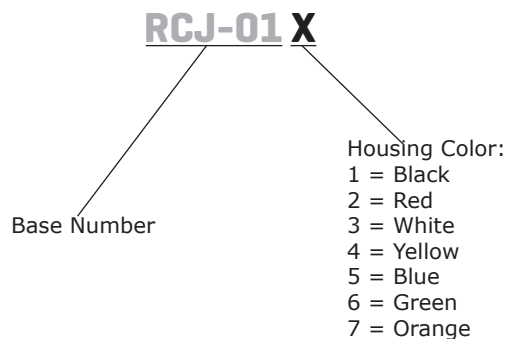


**SERIES:** RCJ-01 | **DESCRIPTION:** RCA JACK**FEATURES**

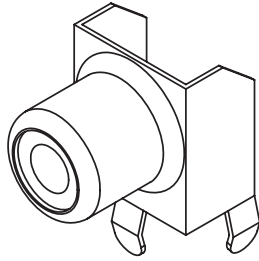
- through hole
- right angle

**PART NUMBER KEY****SPECIFICATIONS**

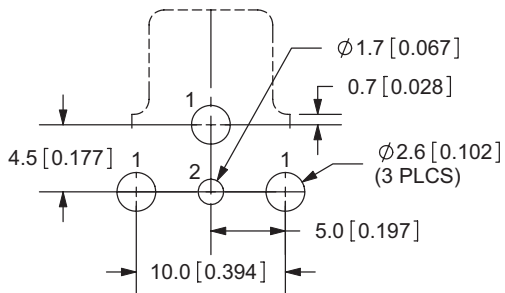
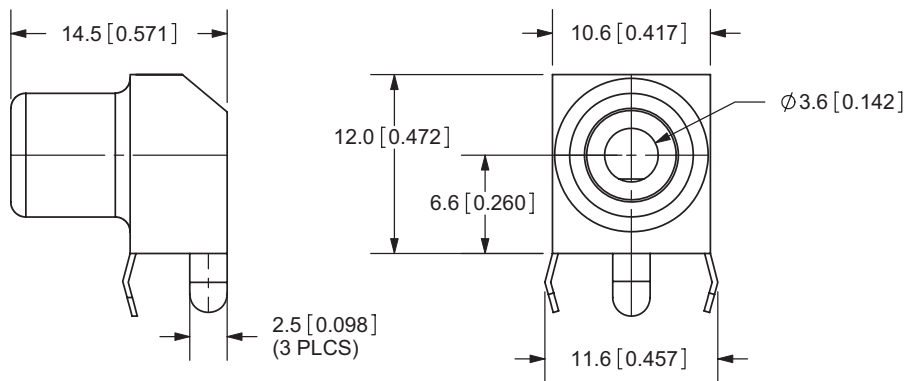
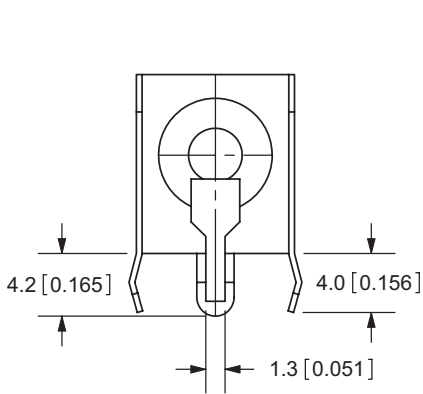
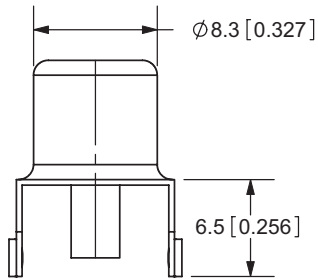
parameter	conditions/description	min	typ	max	units
rated voltage			12		Vdc
rated current				1	A
contact resistance	at 1 kHz less than 100 mA			30	mΩ
insulation resistance	at 500 Vdc	100			MΩ
voltage withstand	for 1 minute			500	Vac
insertion force	with mating plug			3	kgf
withdrawal force	with mating plug	0.4			kgf
operating temperature		-40		85	°C
storage temperature		-40		85	°C
life	at a rate of 20~30 cycles per minute		1,500		cycles
hand soldering	for 3 ±0.5 seconds	340	350	360	°C
flammability rating	UL94V-0				
RoHS	yes				

## MECHANICAL DRAWING

units: mm[inch]  
tolerance: ±0.3 mm



	MATERIAL	PLATING
terminals	brass	tin
shell	iron	tin
insulator	PA9T	



Recommended PCB Layout  
Top View

Model No.	RCJ-01
Schematic	

## REVISION HISTORY

---

rev.	description	date
1.0	initial release	06/04/2007
1.01	added shell cut	01/30/2008
1.02	changed to PA9T plastic, brand update	11/07/2019

The revision history provided is for informational purposes only and is believed to be accurate.

---

# CUI DEVICES

CUI Devices offers a one (1) year limited warranty. Complete warranty information is listed on our website.

CUI Devices reserves the right to make changes to the product at any time without notice. Information provided by CUI Devices is believed to be accurate and reliable. However, no responsibility is assumed by CUI Devices for its use, nor for any infringements of patents or other rights of third parties which may result from its use.

CUI Devices products are not authorized or warranted for use as critical components in equipment that requires an extremely high level of reliability. A critical component is any component of a life support device or system whose failure to perform can be reasonably expected to cause the failure of the life support device or system, or to affect its safety or effectiveness.

## X-ON Electronics

Largest Supplier of Electrical and Electronic Components

*Click to view similar products for [RCA Phono Connectors](#) category:*

*Click to view products by [CUI Devices](#) manufacturer:*

Other Similar products are found below :

[174-0252-E](#) [17PP052](#) [NYS352AG](#) [333-0000](#) [330F3](#) [336AX](#) [342-0000](#) [AP-165](#) [598](#) [AX101880](#) [716SNS1P11PL-25](#) [585](#) [330-0000](#) [335-0000](#) [588](#) [ACJD-BLK](#) [NF2D-2](#) [NF2D-9](#) [NF2D-B-0](#) [NF2D-B-4](#) [299](#) [ACJD-RED](#) [ACJD-WHT](#) [PJRAS3X1S01X](#) [RCJ-2244](#) [3507](#) [413-0100](#) [431-0500](#) [331-0000](#) [561](#) [NF2D-B-2](#) [NF2D-B-6](#) [566](#) [571](#) [572](#) [574](#) [580](#) [581](#) [583](#) [586](#) [587](#) [589](#) [598](#) [NYS354](#) [NYS372P](#) [NYS373-2-U](#) [ACJD-GRN](#) [936](#) [PJLAN1X1U03AUX](#) [PJRAS1X3S02X](#)