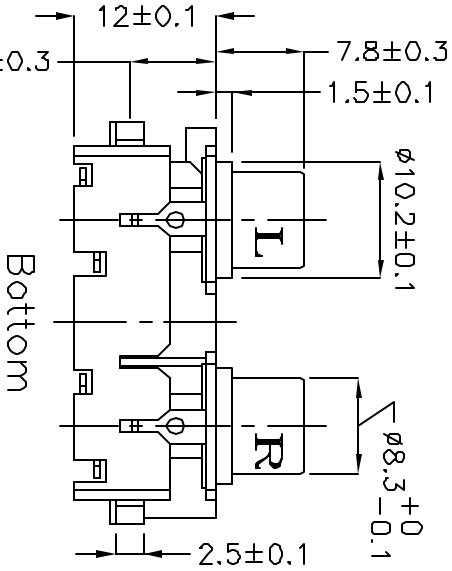


- Specifications:
1. Insulation Resistance: 100MΩhms min. (Initial)
 2. Contact Resistance (Initial): 30mΩhms max at 100mA(max) 1KHz.
 3. Dielectric Withstand Voltage: AC 500V, 60Hz for 1 minute.
 4. Insertion Force: 3kgs max.
 5. Extraction Force: 0.08Kgs min. Humidity Test: 40±2, 90~95%, 48 hours.



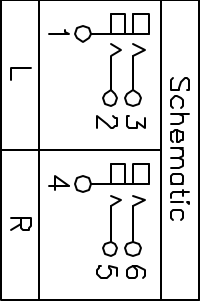
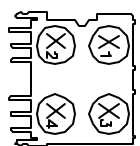
- Custom Part Numbers:
1. The last part number in the "Color Index" is a custom part template.
 2. Match color number from "Color Chart" to the desired "Input" on the "Color Index."

Color Chart
1 = Black
2 = Red
3 = White
4 = Yellow
5 = Blue
6 = Green

Color Index				
Part No.	Input X1	Input X2	Input X3	Input X4
RCJ-412211	Red	Red	Black	Black
RCJ-413344	White	White	Yellow	Yellow
RCJ-412233	Red	Red	White	White
RCJ-41X ₁ X ₂ X ₃ X ₄	Color X ₁	Color X ₂	Color X ₃	Color X ₄

Example: (Black, Red, White, Yellow)
 RCJ-41X₁X₂X₃X₄ = RCJ-411234

PC Board Layout (Top View)



No.	Description	Material	Qty	Finish
6	Input	PBT	4	See Color Index
5	Cover	ABS	2	Black Color
4	Base	ABS	1	Black Color
3	Terminal T	0.5t Brass	2	Silver Plated
2	Terminal D	0.5t Brass	2	Silver Plated
1	Earth Terminal (Barrel)	0.5t Brass	2	Nickel Plated

9615 SW Allen, Suite 103
 Beaverton, OR 97005
 Phone: (503) 643-4899
 800-276-4899
 Fax: (503) 372-1266
 Website: www.cui.com



X-ON Electronics

Largest Supplier of Electrical and Electronic Components

Click to view similar products for [RCA Phono Connectors](#) category:

Click to view products by [CUI Devices](#) manufacturer:

Other Similar products are found below :

[174-0254-E](#) [333-0000](#) [336AX](#) [342-0000](#) [AP-165](#) [AX101880](#) [716SNS1P11PL-25](#) [FS15RCA](#) [BPJF06X](#) [585](#) [330-0000](#) [346-0200](#) [346-0500](#)
[346-0700](#) [335-0000](#) [588](#) [431-0100](#) [171-ADRJRJ-E](#) [171-ADRPRP-E](#) [174-0154-E](#) [NYS355](#) [PJRAN1X1U01AUX](#) [ACJD-BLK](#) [NF2D-2](#)
[NF2D-6](#) [NF2D-9](#) [NF2D-B-0](#) [NF2D-B-4](#) [NF2D-B-5](#) [299](#) [ACJB-BLK](#) [ACJD-BLU](#) [ACJD-RED](#) [ACJD-WHT](#) [ACJD-YEL](#) [ACJB-BLU](#)
[PJRAN1X1U04AUX](#) [PJRAN3X1U01AU](#) [RCP-025](#) [RCJ-027](#) [PJRAS2X1S02](#) [RCP-023](#) [BPJF06](#) [RCJ-012-SMT-TR](#) [RCJ-61232323](#) [35582X](#)
[RCJ-2121](#) [PJRAS3X1S01X](#) [RCP-013](#) [BPJF05](#)