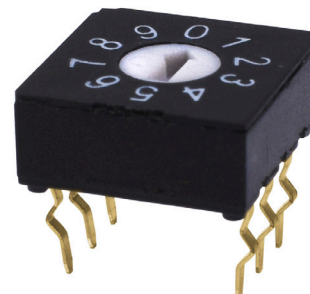


SERIES: RDS-1055 | **DESCRIPTION:** ROTARY DIP SWITCH**FEATURES**

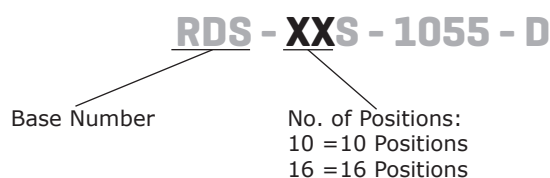
- 10 and 16 positions
- flat actuator
- gold plated terminals
- through hole mounting

**SPECIFICATIONS**

parameter	conditions/description	min	typ	max	units
rated voltage	switching			24	Vdc
	non-switching			50	Vdc
rated current	switching			25	mA
	non-switching			100	mA
withstanding voltage	for 1 minute		250		Vac
contact resistance	initial			50	mΩ
	after life test			100	mΩ
insulation resistance	at 250 Vdc	100			MΩ
operating torque				500	gf*cm
dial travel	continuous rotation		360		degrees
operating temperature		-40		85	°C
storage temperature		-40		85	°C
life		10,000			steps
flammability rating	UL94V-0				
RoHS	yes				

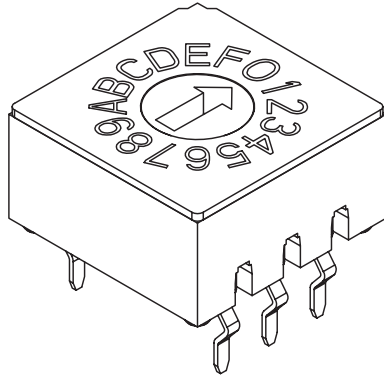
SOLDERABILITY

parameter	conditions/description	min	typ	max	units
hand soldering	for maximum 3 seconds	315	320	325	°C
wave soldering	for maximum 5 seconds	240	250	260	°C

PART NUMBER KEY

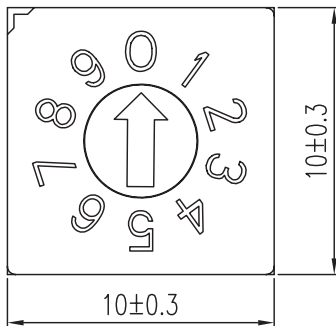
MECHANICAL DRAWING

units: mm
 tolerance:
 $X \leq 0.5$: ± 0.25 mm
 $0.5 < X \leq 3.0$: ± 0.15 mm
 $3.0 < X \leq 6.0$: ± 0.20 mm
 $6.0 < X \leq 30.0$: ± 0.25 mm
 $30.0 < X \leq 120.0$: ± 0.30 mm
 $120.0 < X \leq 400.0$: ± 0.50 mm
 $X > 400.0$: ± 0.80 mm
 unless otherwise noted

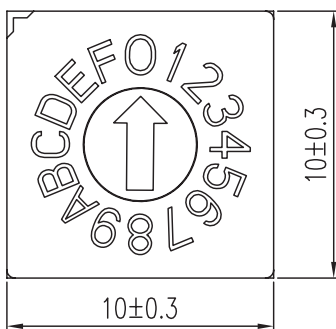


ITEM	DESCRIPTION	MATERIAL	PLATING/COLOR
1	dial	PA9T (UL94V-0)	gray
2	housing	PA9T (UL94V-0)	black
3	base	PA9T (UL94V-0)	black
4	terminals	copper alloy	gold

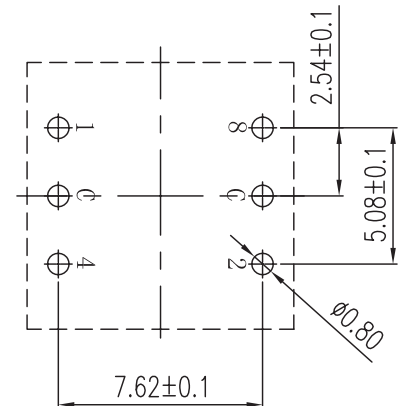
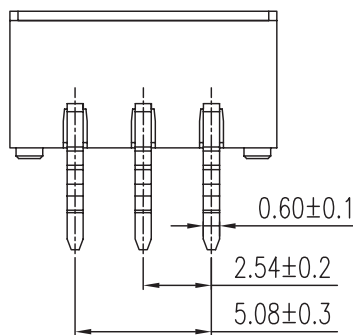
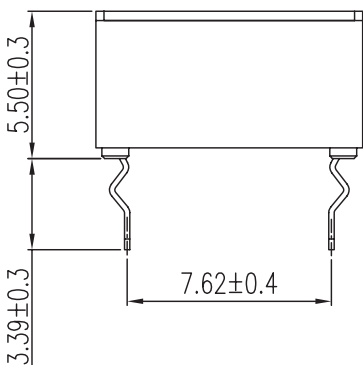
10 POSITION



16 POSITION



		ON ○					
		OFF ●	CODE				
		TYPE	POS	1	2	4	8
10 STEP	0	●	●	●	●	●	
	1	○	●	●	●	●	
	2	●	○	●	●	●	
	3	○	○	●	●	●	
	4	●	●	○	●	●	
	5	○	●	○	●	●	
	6	●	○	○	●	●	
	7	○	○	○	●	●	
	8	●	●	●	●	○	
	9	○	●	●	○	○	
16 STEP	A	●	○	●	○	○	
	B	○	○	●	○	○	
	C	●	●	○	○	○	
	D	○	●	○	○	○	
	E	●	○	○	○	○	
	F	○	○	○	○	○	



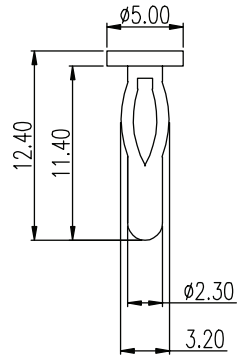
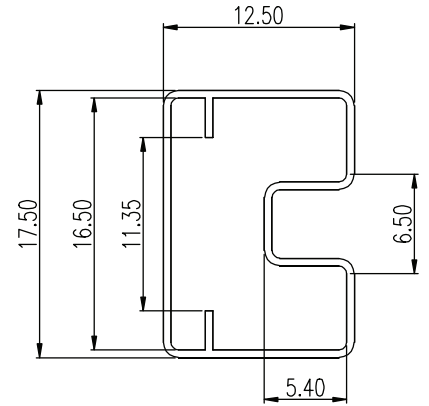
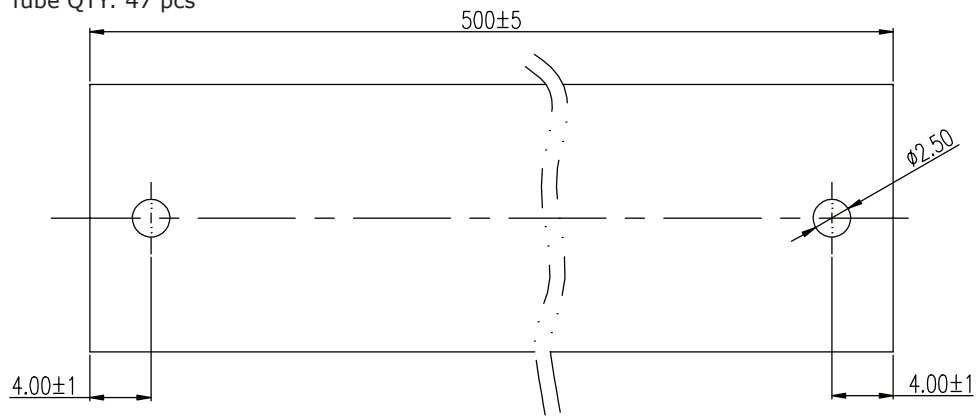
Recommended PCB Layout
Top View

PACKAGING

units: mm

Tube Size: 17.50 x 12.50 x 500 mm

Tube QTY: 47 pcs



REVISION HISTORY

rev.	description	date
1.0	initial release	05/21/2020

The revision history provided is for informational purposes only and is believed to be accurate.

CUI DEVICES

CUI Devices offers a one (1) year limited warranty. Complete warranty information is listed on our website.

CUI Devices reserves the right to make changes to the product at any time without notice. Information provided by CUI Devices is believed to be accurate and reliable. However, no responsibility is assumed by CUI Devices for its use, nor for any infringements of patents or other rights of third parties which may result from its use.

CUI Devices products are not authorized or warranted for use as critical components in equipment that requires an extremely high level of reliability. A critical component is any component of a life support device or system whose failure to perform can be reasonably expected to cause the failure of the life support device or system, or to affect its safety or effectiveness.

X-ON Electronics

Largest Supplier of Electrical and Electronic Components

Click to view similar products for [Coded Rotary Switches](#) category:

Click to view products by [CUI Devices](#) manufacturer:

Other Similar products are found below :

[94HCB08W](#) [94HCB10WR](#) [PT65503RT](#) [P60AS703](#) [P60A503](#) [P65THR101L254](#) [RTE16 LFTSVTPL 13613](#) [GSDR-10S](#) [CRD10CM0SBR](#)
[DRS4116](#) [RTE1600R44](#) [ERD116CSZ](#) [ERD116RSZ](#) [ERD716M06Z](#) [94HBB16WT](#) [94HBB10WT](#) [94HAC10T](#) [94HAB16T](#) [94HAB10WT](#)
[94HAB10RAT](#) [94HAB08WT](#) [ERD216RSZ](#) [ND3FR10P](#) [DRR3110](#) [S-4010TA](#) [94HCB16WT](#) [94HCB16T](#) [94HCB10RAT](#) [94HCB08T](#)
[94HAB16RAT](#) [94HAB10T](#) [94HAB08T](#) [S-2031A](#) [S-1010A](#) [RTE1000V14](#) [RTBH31BS10ANNZP](#) [PT65501L254](#) [PT65127L254](#)
[PT65502L508](#) [1-1825007-1](#) [1-1825007-6](#) [ND3FR16B](#) [ND3FR16P-R](#) [SMR14116](#) [RTE0400N04](#) [RTE1000N14](#) [RTE1002G14](#) [RTE1002N14](#)
[RTE1010N14](#) [1825007-1](#)