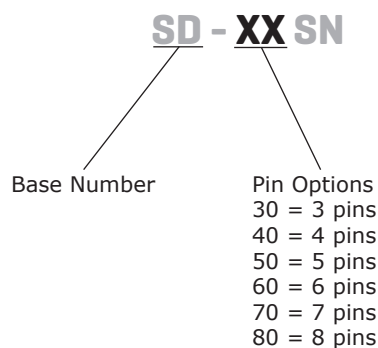


SERIES: SD-SN | **DESCRIPTION:** STANDARD DIN CONNECTOR**FEATURES**

- panel mount
- vertical
- shielded

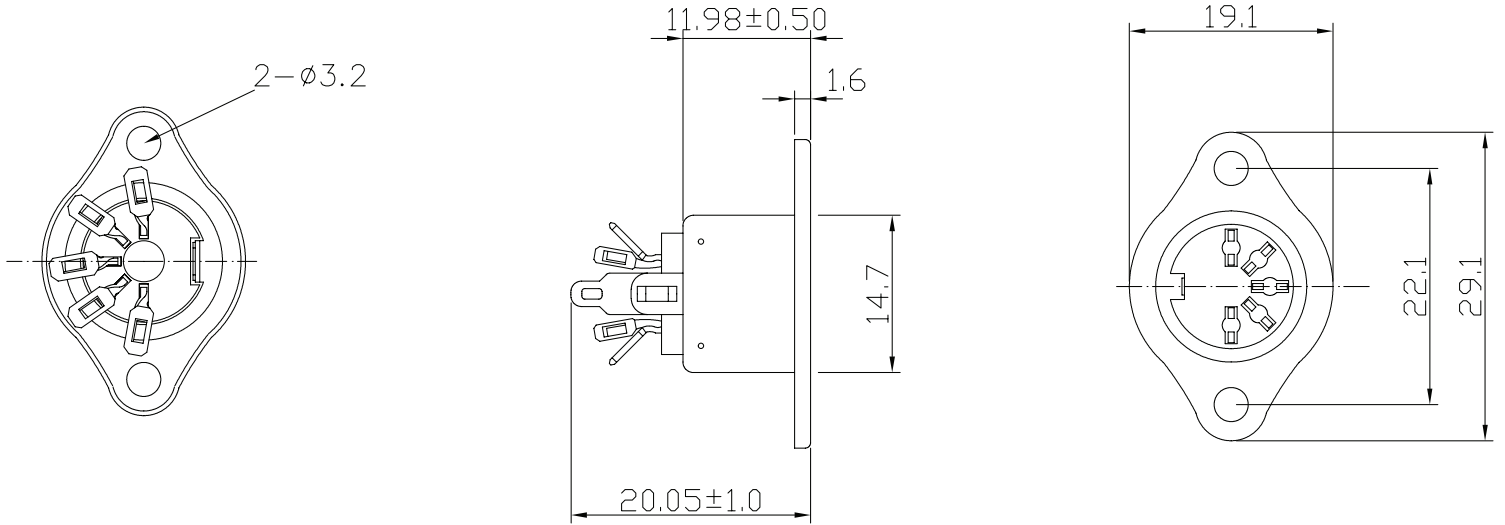
**PART NUMBER KEY****SPECIFICATIONS**

parameter	conditions/description	min	typ	max	units
rated input voltage			100 12		Vac Vdc
rated input current	at 100 Vac at 12 Vdc			1 2	A A
contact resistance	SD-40SN & SD-60SN all other models			20 30	mΩ mΩ
insulation resistance	at 500 Vdc, SD-40SN at 500 Vdc, all other models	300 100			MΩ MΩ
voltage withstand	for 1 minute			1,000	Vac
insertion force	SD-40SN all other models			6.5 4	kg kg
withdrawal force	SD-40SN all other models	1 1		5 3.5	kg kg
operating temperature		5		70	°C
life			5,000		cycles
flammability rating	UL94V-0				
RoHS	yes				

MECHANICAL DRAWINGS

units: mm
 tolerance:
 X.X ± 0.38 mm
 X.XX ± 0.25 mm
 X.XXX ± 0.150 mm

	MATERIAL	PLATING
earth terminal	phosphor bronze	tin
contact pins (SD-40SN)	brass	tin
contact pins (all other models)	brass	silver
socket case	cold rolled steel	nickel
rivet	aluminum	nickel
insulator	PBT	

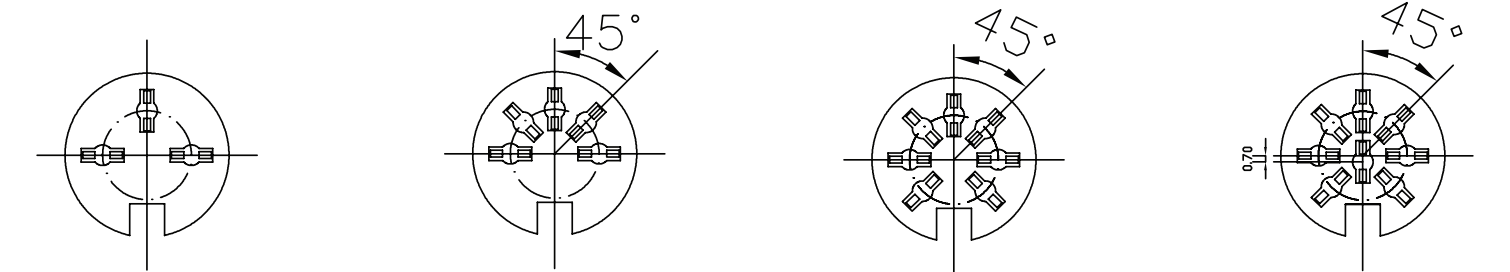


SD-30SN

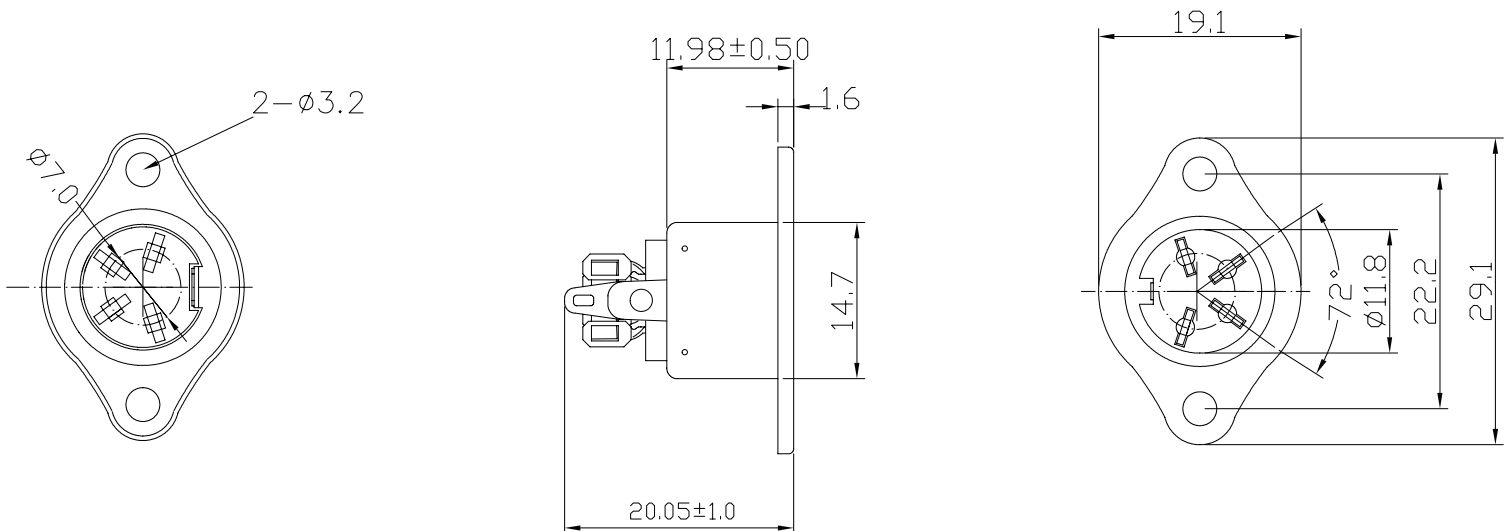
SD-50SN

SD-70SN

SD-80SN



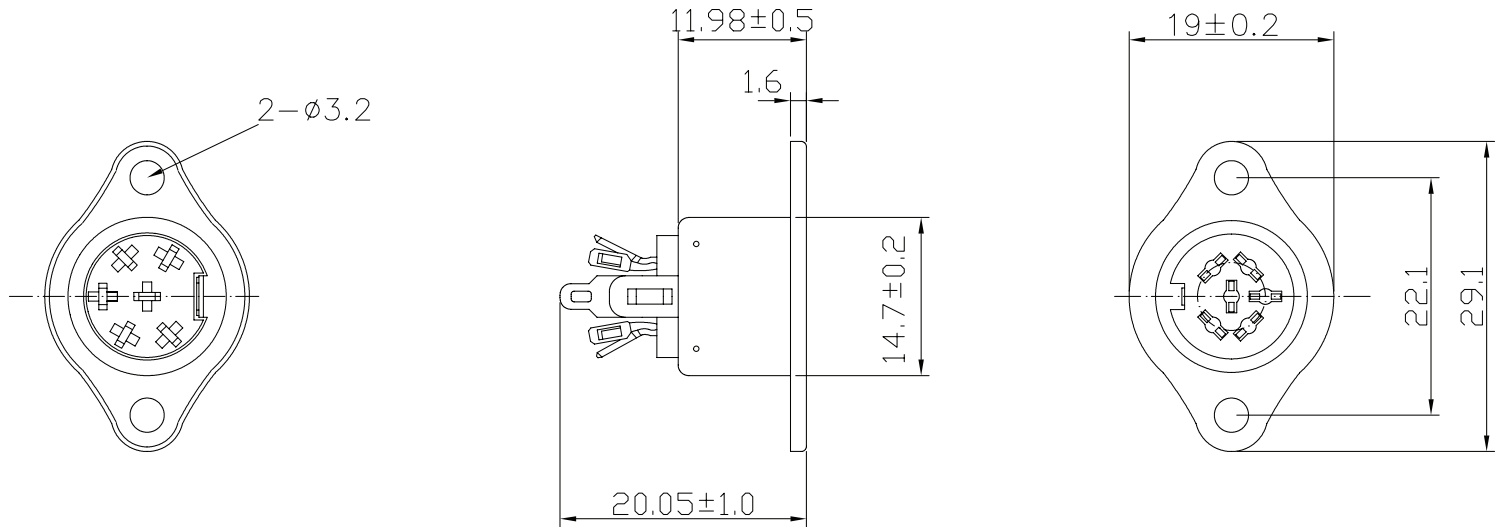
SD-40SN



MECHANICAL DRAWINGS (CONTINUED)

units: mm

tolerance:

X.X ± 0.38 mmX.XX ± 0.25 mmX.XXX ± 0.150 mm**SD-60SN**

REVISION HISTORY

rev.	description	date
1.0	initial release	02/23/2006
1.01	new template applied	02/10/2012
1.02	housing dimensions of SD-40SN changed	05/21/2014
1.03	housing dimensions of SD-60SN changed	09/01/2015
1.04	front face slots rotated on SD-40SN	10/26/2016
1.05	new tooling for housings	12/20/2016
1.06	brand update	02/19/2020

The revision history provided is for informational purposes only and is believed to be accurate.

CUI DEVICES

CUI Devices offers a one (1) year limited warranty. Complete warranty information is listed on our website.

CUI Devices reserves the right to make changes to the product at any time without notice. Information provided by CUI Devices is believed to be accurate and reliable. However, no responsibility is assumed by CUI Devices for its use, nor for any infringements of patents or other rights of third parties which may result from its use.

CUI Devices products are not authorized or warranted for use as critical components in equipment that requires an extremely high level of reliability. A critical component is any component of a life support device or system whose failure to perform can be reasonably expected to cause the failure of the life support device or system, or to affect its safety or effectiveness.

X-ON Electronics

Largest Supplier of Electrical and Electronic Components

Click to view similar products for [Circular DIN Connectors](#) category:

Click to view products by [CUI Devices](#) manufacturer:

Other Similar products are found below :

[60KD4M](#) [M83723/76W22326](#) [M83723/78R22327](#) [75-069228-21J](#) [7519021610P](#) [75-190224-28S](#) [7547401103P](#) [75-474014-07L](#) [88-559975-75P](#) [88-569735-06P](#) [8R3006A18M0033](#) [GTC00G-24-7S](#) [PT05A-14-5SX](#) [PT05A1832SW](#) [GTC030-20-27PW-LC](#) [GTC030A-20-33S](#) [1211290078](#) [1211810025](#) [1210503216](#) [1211290084](#) [1211500027](#) [ACS06AF-16-10P\(003\)](#) [D38999/40WD35PN](#) [D38999/44WD35BN](#) [D38999/44WH21AN](#) [D38999/44WH35AN](#) [D38999/44WJ35PN](#) [12DL6MX](#) [AFD57-22-12S-6141](#) [MS3102R18-1PZ](#) [MS3102R28-22PZ](#) [MS3112E20-24P](#) [MS3114F10-6P](#) [MS3116E8-4SW](#) [MS3122E14-19P](#) [MS3456W28-21PZ-LC](#) [171-2603](#) [17DN100-EX](#) [C015-50C006-100-1](#) [NYS322AG](#) [CA3100E18-1SBF80A176](#) [CA3100F18-10SB](#) [CA3100F18-1SB](#) [CA3102E12S-3P](#) [CA3102E14S-2P](#) [CA3102E14S-6P](#) [CA3102E18-12SWB](#) [CA3102E20-18P](#) [CA3102E20-27P](#) [CA3102E20-33P](#)