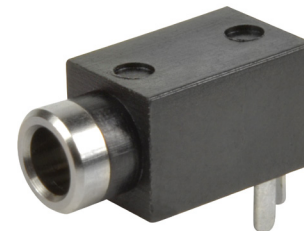


MODEL: MJ1-2503A | **DESCRIPTION:** AUDIO JACK**FEATURES**

- through hole design
- low profile

**SPECIFICATIONS**

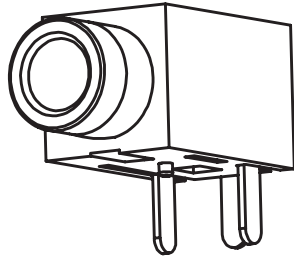
parameter	conditions/description	min	typ	max	units
rated input voltage			12		Vdc
rated input current				1	A
contact resistance				30	mΩ
insulation resistance	at 500 Vdc	100			MΩ
voltage withstand	for 1 minute			500	Vac
insertion/withdrawal force		0.3		3	kg
operating temperature		-25		85	°C
life			5,000		cycles
flammability rating	UL94V-0				
RoHS	yes				

SOLDERABILITY

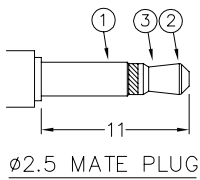
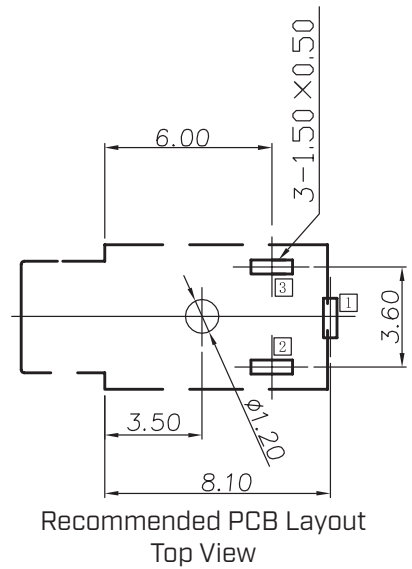
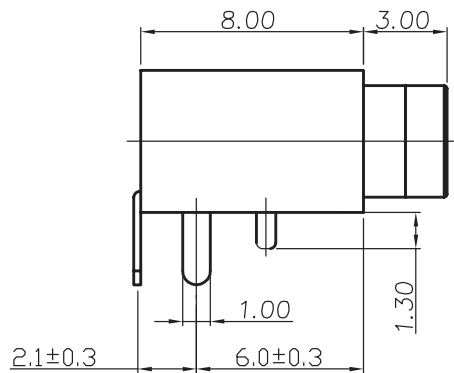
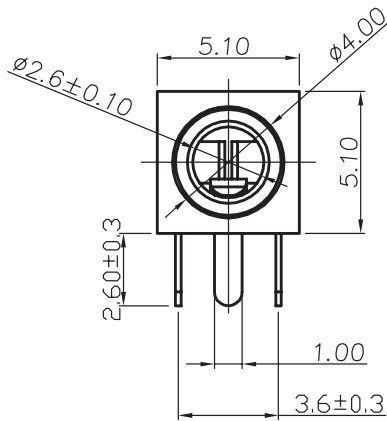
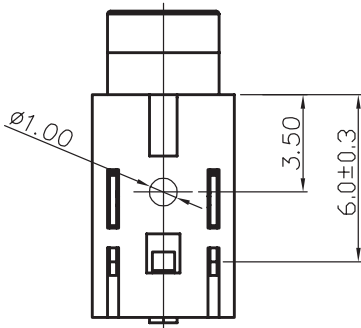
parameter	conditions/description	min	typ	max	units
wave soldering	dipped in solder pot for 5 ±0.5 seconds	255	260	265	°C

MECHANICAL DRAWING

units: mm
 tolerance:
 X, ±0.50 mm
 X.X ±0.30 mm
 X.XX ±0.20 mm
 X.XX ±0.10 mm
 PCB: ±0.05 mm
 unless otherwise specified



DESCRIPTION	MATERIAL	PLATING/COLOR
terminal 1	bronze	silver
terminal 2	bronze	silver
terminal 3	bronze	silver
bushing	brass	nickel
housing	PBT (UL94V-0)	black



Model No.	MJ1-2503A
Schematic	
PIN	
1	sleeve
2	tip
3	tip

REVISION HISTORY

rev.	description	date
1.0	initial release	01/18/2006
1.01	changed terminal plating to silver	02/13/2019
1.02	brand update	10/04/2019
1.03	product reengineered for improved manufacturability and production yield, see PCN for details	07/25/2023

The revision history provided is for informational purposes only and is believed to be accurate.



CUI Devices offers a one (1) year limited warranty. Complete warranty information is listed on our website.

CUI Devices reserves the right to make changes to the product at any time without notice. Information provided by CUI Devices is believed to be accurate and reliable. However, no responsibility is assumed by CUI Devices for its use, nor for any infringements of patents or other rights of third parties which may result from its use.

CUI Devices products are not authorized or warranted for use as critical components in equipment that requires an extremely high level of reliability. A critical component is any component of a life support device or system whose failure to perform can be reasonably expected to cause the failure of the life support device or system, or to affect its safety or effectiveness.

cuidevices.com

X-ON Electronics

Largest Supplier of Electrical and Electronic Components

Click to view similar products for CUI Inc manufacturer:

Other Similar products are found below :

[PCN1-S12-S5-M](#) [PCN1-S5-D5-S](#) [PCN1-S5-S12-S](#) [PDM2-S24-D15-S](#) [PDQ15-Q48-S15-D](#) [PDQ2-D24-D12-S](#) [PDQ2-D24-S12-S](#) [PEM2-S12-D5-S](#) [PEM2-S24-S12-S](#) [PQD6-Q24-S5-D](#) [PYB10-Q48-S12-DIN](#) [PYB10-Q48-S24-T](#) [PYB15-Q24-S5-U](#) [PYB20-Q24-S12](#) [PYB20-Q48-S12](#) [PCN2-S5-S15-S](#) [PDM1-S5-D12-S](#) [PDQ2-D12-S3-S](#) [PDS1-S12-S9-M](#) [PEM1-S15-D15-S](#) [PEM1-S24-D12-S](#) [PQA30-D24-S24-T](#) [PQMC3-D48-S5-S](#) [PQMC3-D5-S5-S](#) [PYB15-Q24-S15-DIN](#) [PYB15-Q24-S3-H-T](#) [PYB15-Q24-S5-H-U](#) [PYB15-Q48-D5-H-U](#) [PYB20-Q24-D5-DIN](#) [PYB20-Q24-S3-T](#) [PYB30-Q24-T515](#) [VOFM-5-24](#) [VSK-S2-24U](#) [VSUU-120-D524A](#) [VSK-S2-3R3U](#) [VOF-10-24](#) [VHK50W-Q24-S12](#) [NEB-264NWA-ANH](#) [PCN1-S24-S15-S](#) [PUZ3-D12-S15-D](#) [VOF-85-48](#) [VOF-120-12](#) [V7805-1000](#) [VIBLSD1-S5-S5-SIP](#) [SDI40-12-U-P5](#) [VBM-360-24-CNF](#) [VHB200W-Q24-S24](#) [VOF-185-36](#) [PBO-5-S5-B](#) [VMS-200-48](#)