

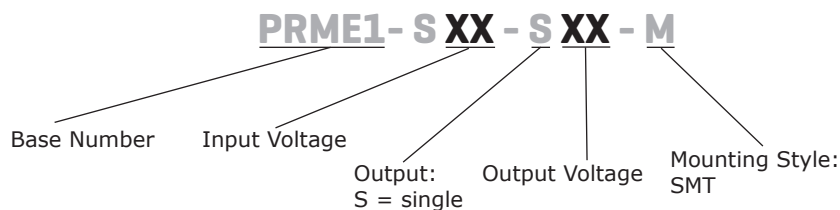
SERIES: PRME1-M | **DESCRIPTION:** DC-DC CONVERTER**FEATURES**

- 1 W isolated output
- single regulated output
- 3,000 Vdc isolation
- continuous short-circuit protection
- wide operating temperature range -40~85°C
- efficiency up to 71%
- EN 62368-1



MODEL	input voltage		output voltage (Vdc)	output current		output power max (W)	ripple & noise ¹ max (mVp-p)	efficiency typ (%)
	typ (Vdc)	range (Vdc)		min (mA)	max (mA)			
PRME1-S12-S5-M	12	11.4~12.6	5	20	200	1	100	69
PRME1-S12-S12-M	12	11.4~12.6	12	9	84	1	100	71
PRME1-S12-S15-M	12	11.4~12.6	15	7	67	1	100	71
PRME1-S15-S5-M ³	15	14.25~15.75	5	20	200	1	100	68
PRME1-S24-S5-M	24	22.8~25.2	5	20	200	1	100	69
PRME1-S24-S12-M	24	22.8~25.2	12	9	84	1	100	71
PRME1-S24-S15-M	24	22.8~25.2	15	7	67	1	100	71

Notes: 1. Measured at nominal input, 20 MHz bandwidth using the "parallel cable". (see Application circuit).
 2. All specifications are measured at Ta=25°C, humidity < 75%, nominal input voltage, and rated output load unless otherwise specified.
 3. Model is not CE certified.

PART NUMBER KEY

INPUT

parameter	conditions/description	min	typ	max	units
operating input voltage	12 Vdc input models	11.4	12	12.6	Vdc
	15 Vdc input models	14.25	15	15.75	Vdc
	24 Vdc input models	22.8	24	25.2	Vdc
current ³	12 Vdc input models	5 Vdc output model all other output models		121/8 117/8	mA mA
	15 Vdc input models			99/8	105/- mA
	24 Vdc input models	5 Vdc output model all other output models		60/4 59/4	66/- 64/- mA mA
filter	filter capacitor				

Note: 3. full load/no load

OUTPUT

parameter	conditions/description	min	typ	max	units
maximum capacitive load	5 Vdc output models			2,400	μF
	12 Vdc output models			560	μF
	15 Vdc output models			220	μF
voltage accuracy	at full load			±3	%
line regulation	for Vin change of ±1%			±0.25	%
load regulation	from 10% to full load			±2	%
switching frequency	100% load, nominal input voltage		260	kHz	
temperature coefficient	at full load		±0.02	%/°C	

PROTECTIONS

parameter	conditions/description	min	typ	max	units
short circuit protection	continuous, auto recovery				

SAFETY AND COMPLIANCE

parameter	conditions/description	min	typ	max	units
isolation voltage	input to output for 1 minute at 1 mA		3,000	Vdc	
isolation resistance	input to output at 500 Vdc		1,000	MΩ	
isolation capacitance	input to output, 100 kHz / 0.1 V		20	pF	
safety approvals	certified to 62368: EN, IEC				
conducted emissions	CISPR32/EN55032 CLASS B				
radiated emissions	CISPR32/EN55032 CLASS B				
ESD	IEC/EN61000-4-2 Air ±8kV, Contact ±6kV				
MTBF	as per MIL-HDBK-217F, 25°C		3,500,000	hours	
RoHS	yes				

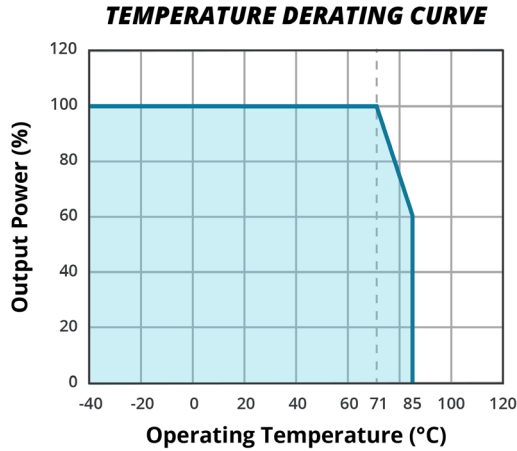
ENVIRONMENTAL

parameter	conditions/description	min	typ	max	units
operating temperature	see derating curve		-40	85	°C
storage temperature			-55	125	°C
storage humidity	non-condensing		5	95	%
case temperature rise	at 25°C		25		°C

SOLDERABILITY

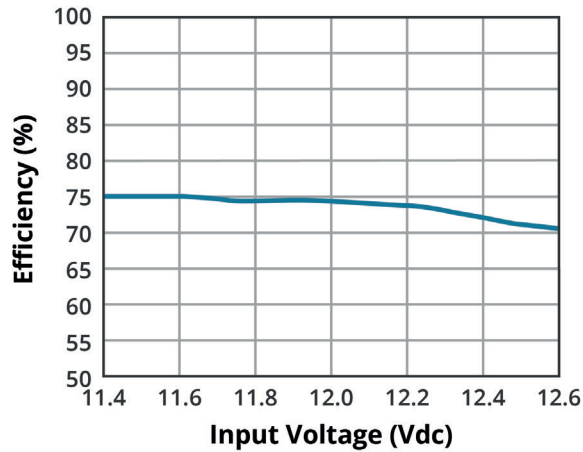
parameter	conditions/description	min	typ	max	units
reflow soldering	for actual application, refer to IPC/JEDEC J-STD-020D.1		245		°C

DERATING CURVES

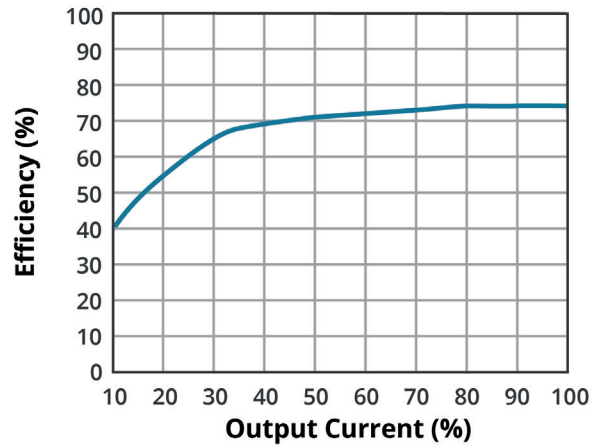


EFFICIENCY CURVES

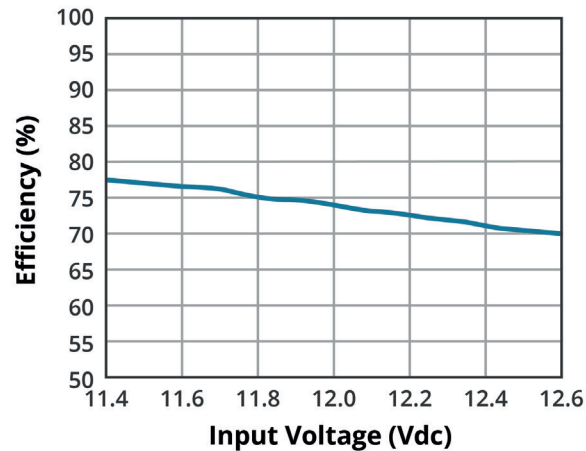
**EFFICIENCY VS INPUT VOLTAGE
(full load)
PRME1-S12-S5-M**



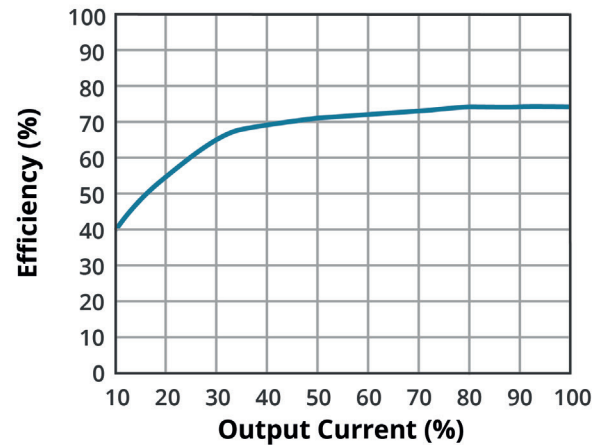
**EFFICIENCY VS OUTPUT LOAD
(Vin = 12 Vdc)
PRME1-S12-S5-M**



**EFFICIENCY VS INPUT VOLTAGE
(full load)
PRME1-S24-S5-M**



**EFFICIENCY VS OUTPUT LOAD
(Vin = 12 Vdc)
PRME1-S24-S5-M**



MECHANICAL

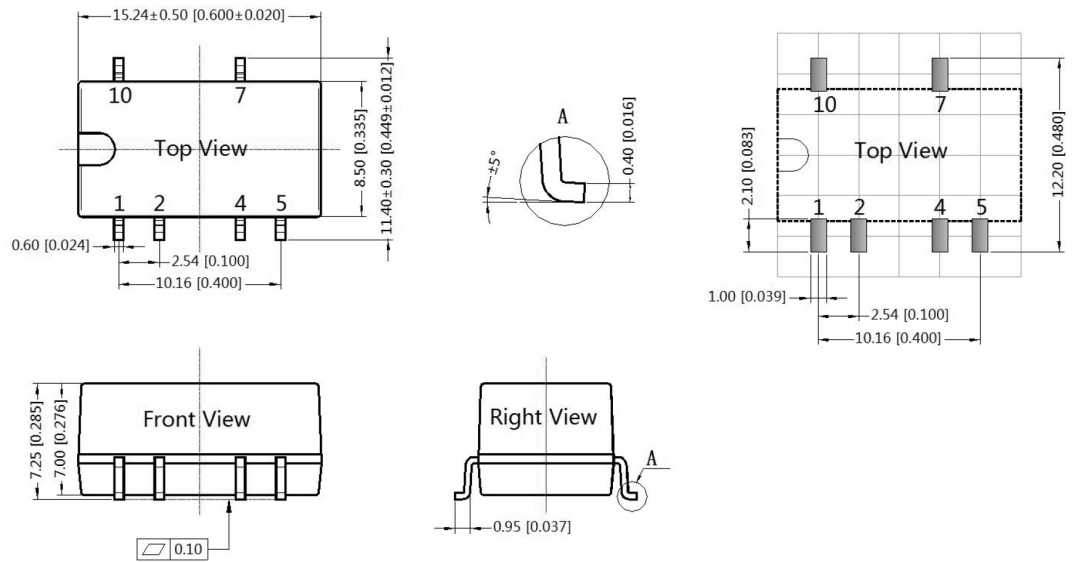
parameter	conditions/description	min	typ	max	units
dimensions	15.24 x 11.40 x 7.25 [0.600 x 0.448 x 0.285 inch]				mm
case material	black flame-retardant and heat-resistant plastic (UL94V-0)				
weight			1.2		g

MECHANICAL DRAWING

units: mm [inch]
 tolerance: ± 0.25 [± 0.010]
 pin section tolerance: ± 0.10 [± 0.004]

PIN CONNECTIONS	
PIN	Function
1	GND
2	Vin
4	0V
5	0V
7	+Vo
10	NC

NC = Pin to be isolated from circuitry



APPLICATION CIRCUIT

If you want to further reduce the input and output ripple, a filter capacitor may be connected to the input and output terminals (Figure 1) provided that the capacitance is less than the maximum capacitive load of the model, otherwise start-up problems may be caused if the capacitance is too large.

Figure 1

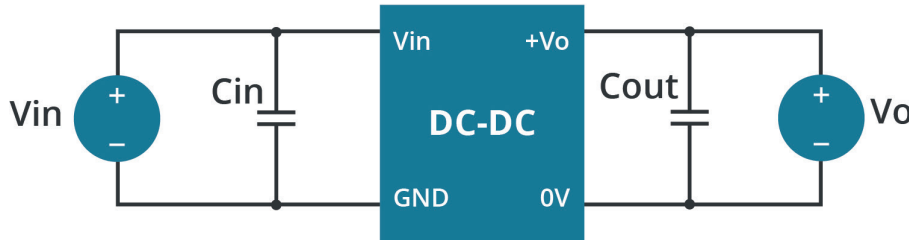


Table 1

Vin (Vdc)	Cin (μF)	Vo (Vdc)	Cout (μF)
12	2.2	5	10
15	1	12	2.2
24	1	15	0.47

EMC RECOMMENDED CIRCUIT

Figure 2

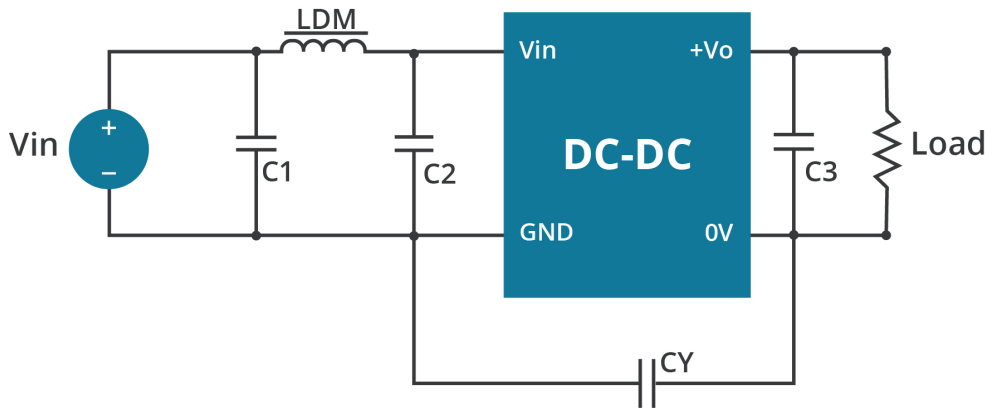


Table 3

Recommended External Circuit Components	
C1, C2	4.7 μF / 25 V
CY	270 pF / 3,000 Vdc
C3	refer to the Cout in Table 1
LDM	6.8 μH

REVISION HISTORY

rev.	description	date
1.0	initial release	09/13/2021

The revision history provided is for informational purposes only and is believed to be accurate.



CUI INC

a bel group

Headquarters
20050 SW 112th Ave.
Tualatin, OR 97062
800.275.4899

Fax 503.612.2383
cui.com
techsupport@cui.com

CUI offers a two (2) year limited warranty. Complete warranty information is listed on our website.

CUI reserves the right to make changes to the product at any time without notice. Information provided by CUI is believed to be accurate and reliable. However, no responsibility is assumed by CUI for its use, nor for any infringements of patents or other rights of third parties which may result from its use.

CUI products are not authorized or warranted for use as critical components in equipment that requires an extremely high level of reliability. A critical component is any component of a life support device or system whose failure to perform can be reasonably expected to cause the failure of the life support device or system, or to affect its safety or effectiveness.

X-ON Electronics

Largest Supplier of Electrical and Electronic Components

Click to view similar products for [Isolated DC/DC Converters](#) category:

Click to view products by [CUI Inc](#) manufacturer:

Other Similar products are found below :

[ESM6D044440C05AAQ](#) [FMD15.24G](#) [PSL486-7LR](#) [Q48T30020-NBB0](#) [JAHW100Y1](#) [SPB05C-12](#) [SQ24S15033-PS0S](#) [18952](#) [19-130041](#)
[CE-1003](#) [CE-1004](#) [GQ2541-7R](#) [RDS180245](#) [MAU228](#) [J80-0041NL](#) [DFC15U48D15](#) [XGS-0512](#) [XGS-1205](#) [XGS-1212](#) [XGS-2412](#) [XGS-](#)
[2415](#) [XKS-1215](#) [06322](#) [NCT1000N040R050B](#) [SPB05B-15](#) [SPB05C-15](#) [L-DA20](#) [DCG40-5G](#) [QME48T40033-PGB0](#) [XKS-2415](#) [XKS-2412](#)
[XKS-1212](#) [XKS-1205](#) [XKS-0515](#) [XKS-0505](#) [XGS-2405](#) [XGS-1215](#) [XGS-0515](#) [PS9Z-6RM4](#) [73-551-5038I](#) [AK1601-9RT](#) [VI-R5022-](#)
[EXWW](#) [PSC128-7iR](#) [RPS8-350ATX-XE](#) [DAS1004812](#) [VI-LJ11-iz](#) [PQA30-D24-S24-DH](#) [VI-LN2-EW](#) [VI-PJW01-CZY](#) [CK2540-9ERT](#)