

SERIES: SDI200G-UD | **DESCRIPTION:** AC-DC POWER SUPPLY

FEATURES

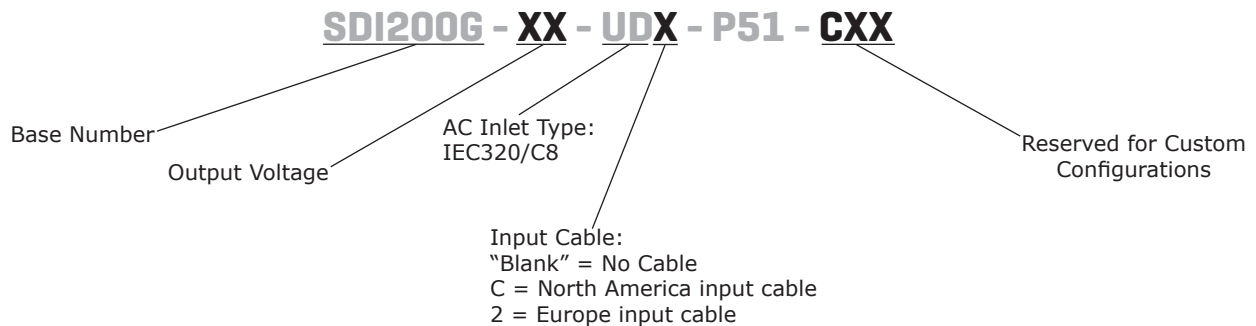
- GaN technology
- compact size
- 200 W power
- universal input (90~264 Vac)
- single regulated outputs
- over voltage, over current, over temperature and short circuit protections
- UL/cUL (62368-1), level VI efficiency
- power factor correction
- custom designs available



| MODEL | output voltage (Vdc) | output current max (A) | output power max (W) | ripple and noise ¹ max (mVp-p) | efficiency level |
|-----------------|-------------------------|------------------------------|----------------------------|---|------------------|
| SDI200G-12-UD | 12 | 16 | 192 | 120 | VI |
| SDI200G-18-UD | 18 | 11.1 | 200 | 180 | VI |
| SDI200G-19-UD | 19 | 10.5 | 200 | 190 | VI |
| SDI200G-19.5-UD | 19.5 | 10.2 | 200 | 190 | VI |
| SDI200G-20-UD | 20 | 10 | 200 | 240 | VI |
| SDI200G-24-UD | 24 | 8.3 | 200 | 240 | VI |
| SDI200G-48-UD | 48 | 4.2 | 202 | 480 | VI |
| SDI200G-56-UD | 56 | 3.6 | 202 | 560 | VI |

Notes: 1. At full load, nominal input, 20 MHz bandwidth oscilloscope, output terminated with 0.1 µF multilayer ceramic and 47 µF low ESR electrolytic capacitors.

PART NUMBER KEY



INPUT

| parameter | conditions/description | min | typ | max | units |
|---------------------------|---|-----|-----|------|-------|
| voltage | | 100 | | 240 | Vac |
| frequency | | 50 | | 60 | Hz |
| current | | | | 2.4 | A |
| inrush current | at 240 Vac, full load, 25°C, cold start | | | 100 | A |
| leakage current | | | | 0.25 | mA |
| no load power consumption | at 230 Vac & 115 | | | 0.21 | W |

OUTPUT

| parameter | conditions/description | min | typ | max | units |
|------------|------------------------|-----|-----|-----|-------|
| regulation | | | ±5 | | % |

PROTECTIONS

| parameter | conditions/description | min | typ | max | units |
|-----------------------------|---|-----|-----|-----|-------|
| over voltage protection | output shut down and latch | | | 180 | % |
| over current protection | output shut down and automatic recovery | | | 180 | % |
| short circuit protection | output shut down and automatic recovery | | | | |
| over temperature protection | output shut down and latch | | | | |

SAFETY & COMPLIANCE

| parameter | conditions/description | min | typ | max | units |
|----------------------|---------------------------------------|---------|-------|-----|-------|
| isolation voltage | input to output at 10 mA for 1 minute | | 3,000 | | Vac |
| isolation resistance | input to output at 500 Vdc | 10 | | | MΩ |
| safety approvals | UL/cUL (62368-1), UKCA | | | | |
| EMI/EMC | FCC Part 15B Class B, CE | | | | |
| MTBF | as per Telcordia SR-332, 25°C | 300,000 | | | hours |
| RoHS | 2011/65/EU | | | | |

ENVIRONMENTAL

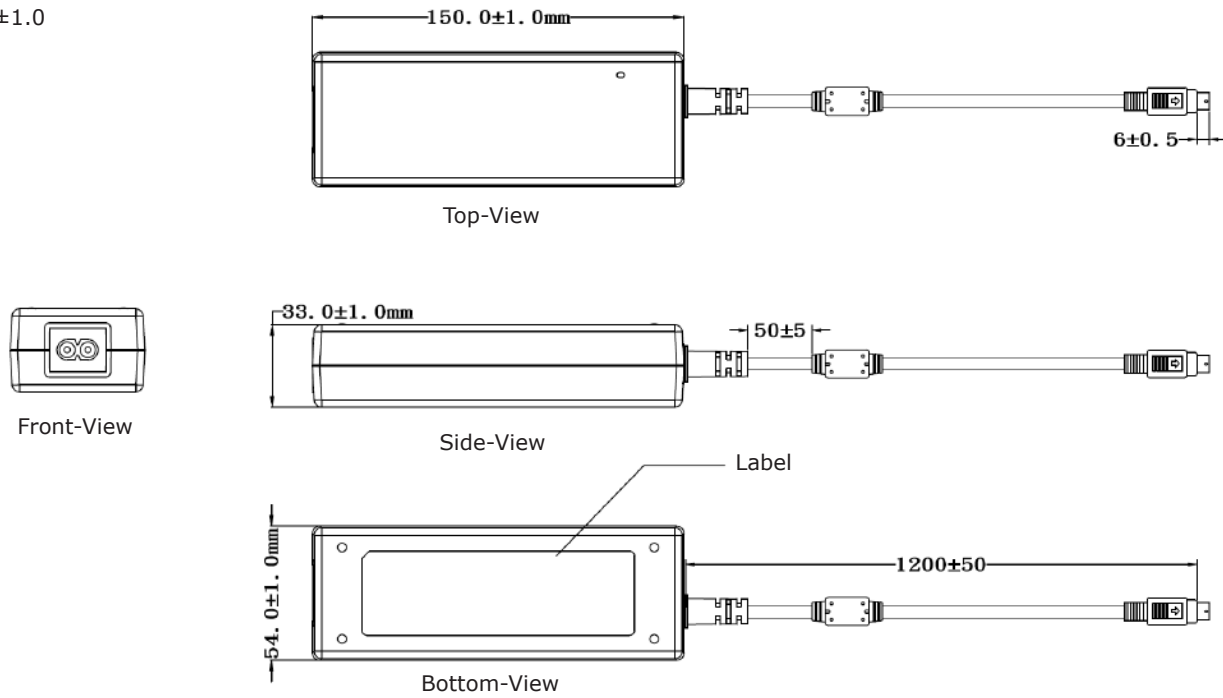
| parameter | conditions/description | min | typ | max | units |
|-----------------------|------------------------|-----|-----|-----|-------|
| operating temperature | | 0 | | 40 | °C |
| storage temperature | | -20 | | 80 | °C |
| operating humidity | non-condensing | 20 | | 80 | % |
| storage humidity | non-condensing | 10 | | 90 | % |

MECHANICAL

| parameter | conditions/description | min | typ | max | units |
|------------|------------------------|-----|-----|-----|-------|
| dimensions | 150 x 54 x 33 | | | | mm |
| inlet plug | 4 pin din | | | | |
| weight | without ac cord | | 560 | | g |

MECHANICAL DRAWING

units: mm
tolerance: ± 1.0
mm



DC CORD

units: mm

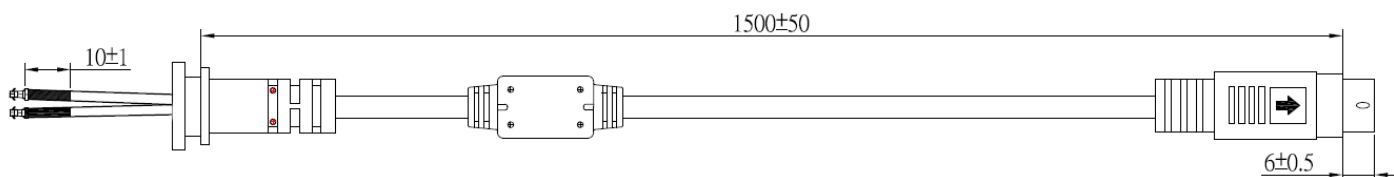
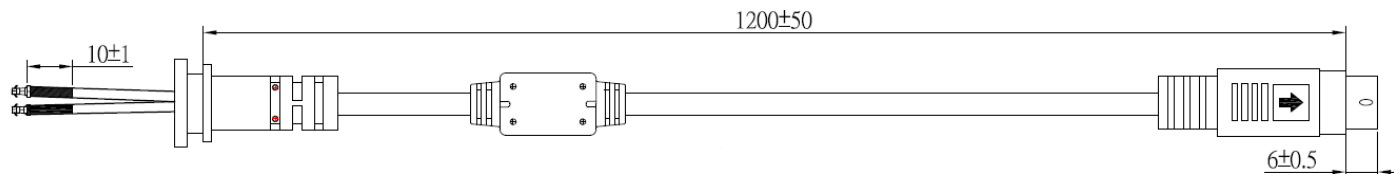
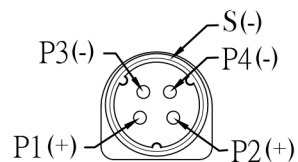


Table 1

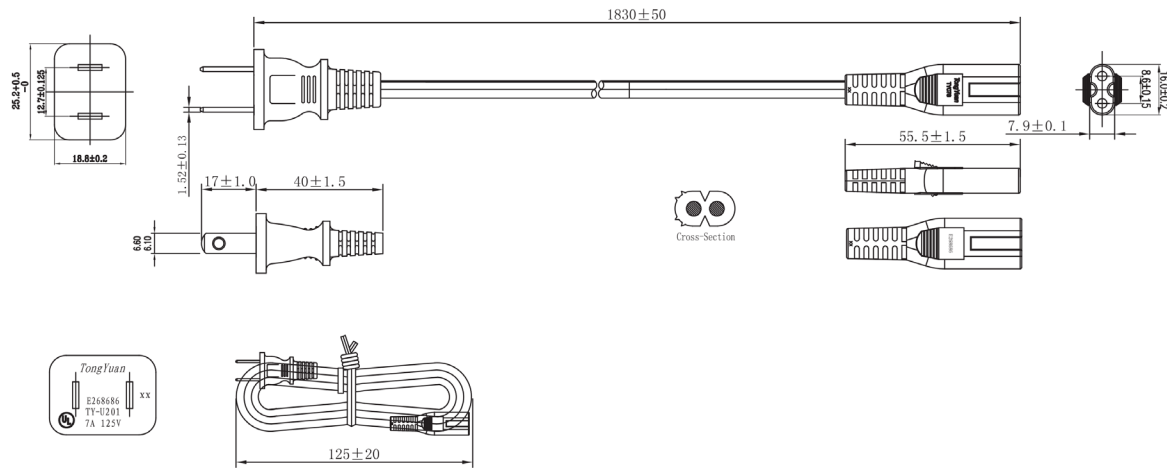
| MODEL NO. | CABLE | CORD LENGTH |
|-----------------|-----------------------|--------------|
| SDI200G-12-UD | Black, UL2464, 16 AWG | 1,200 mm ±50 |
| SDI200G-18-UD | Black, UL2464, 16 AWG | 1,500 mm ±50 |
| SDI200G-19-UD | Black, UL2464, 16 AWG | 1,500 mm ±50 |
| SDI200G-19.5-UD | Black, UL2464, 16 AWG | 1,500 mm ±50 |
| SDI200G-20-UD | Black, UL2464, 16 AWG | 1,500 mm ±50 |
| SDI200G-24-UD | Black, UL2464, 16 AWG | 1,500 mm ±50 |
| SDI200G-48-UD | Black, UL2464, 16 AWG | 1,500 mm ±50 |
| SDI200G-56-UD | Black, UL2464, 18 AWG | 1,500 mm ±50 |



Output cable plug pin assignment

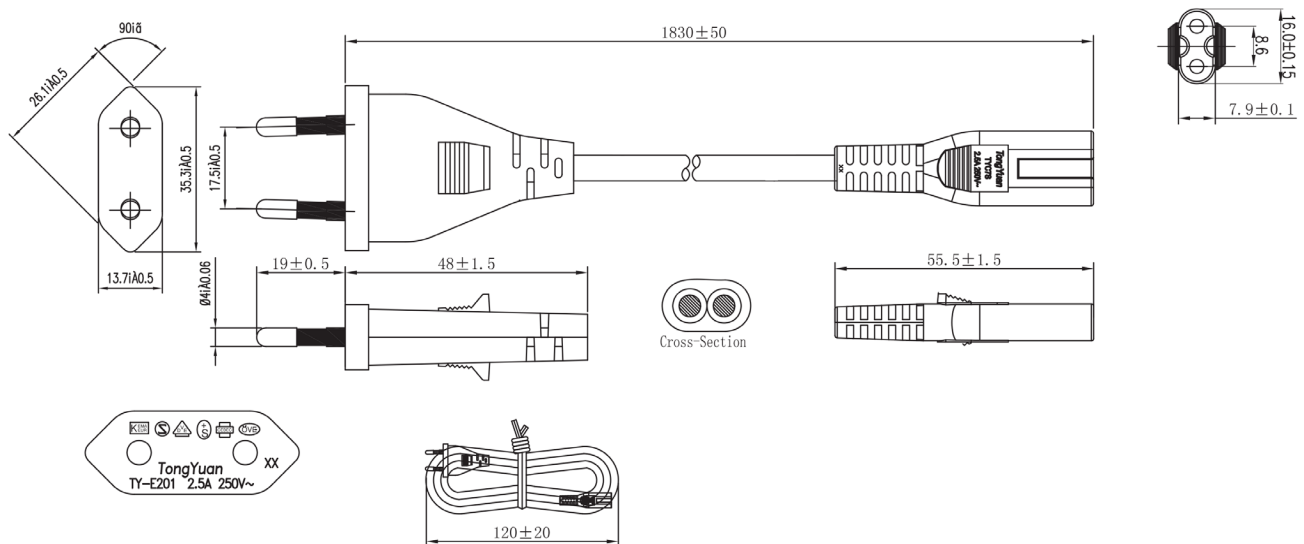
AC CORD (US)

units: mm



AC CORD (EU)

units: mm



REVISION HISTORY

| rev. | description | date |
|------|----------------------------------|------------|
| 1.0 | initial release | 01/23/2020 |
| 1.01 | logo update | 02/21/2020 |
| 1.02 | UL mark added, tolerance updated | 01/08/2021 |
| 1.03 | dc cord table updated | 05/06/2021 |
| 1.04 | UKCA added to the specification | 05/25/2021 |
| 1.05 | dc cord updated | 06/15/2021 |

The revision history provided is for informational purposes only and is believed to be accurate.



Headquarters
20050 SW 112th Ave.
Tualatin, OR 97062
800.275.4899

Fax 503.612.2383
cui.com
techsupport@cui.com

CUI offers a two (2) year limited warranty. Complete warranty information is listed on our website.

CUI reserves the right to make changes to the product at any time without notice. Information provided by CUI is believed to be accurate and reliable. However, no responsibility is assumed by CUI for its use, nor for any infringements of patents or other rights of third parties which may result from its use.

CUI products are not authorized or warranted for use as critical components in equipment that requires an extremely high level of reliability. A critical component is any component of a life support device or system whose failure to perform can be reasonably expected to cause the failure of the life support device or system, or to affect its safety or effectiveness.

X-ON Electronics

Largest Supplier of Electrical and Electronic Components

Click to view similar products for [Desktop AC Adapters](#) category:

Click to view products by [CUI Inc](#) manufacturer:

Other Similar products are found below :

[212A2136](#) [ADP485-01](#) [SWA-1202](#) [SWA-1501](#) [212A2220](#) [KR8-PS01](#) [1894875](#) [FWE050024B-10A](#) [820A4080G](#) [825A0057-03](#) [SWA-1704W](#) [AD5012N2LM-\(401\)](#) [TRH21A120-49E03-Level-VI](#) [FWC100024A-11A](#) [FWE050012B-10A](#) [AC-DC ADAPTER 90W w/ Cable](#) [FWA065024A-11A](#) [PSA120U-560L6](#) [96PSA-A63W18V1-M](#) [1895235](#) [PW-C0725-W2-B](#) [57-U1](#) [57-U2](#) [CENB1040A1245F02](#) [SED80N2-16.0](#) [SED80N3-16.0](#) [RFQ43442-01](#) [YS50-1903150](#) [PCM50UT04](#) [PCM50UT05](#) [Adapter 24V230W FSP230-AAAN3 WIRE FSP](#) [TRH100A240-11E12 VI](#) [TR70MB360-01E03 VI](#) [TRH50A240-11E01 VI](#) [TRE36A120-01G03 VI](#) [TRH100A180-11E12 VI](#) [AMA65DR4-120054Y](#) [AMA90DR4-240037Y](#) [AMA90DR5-120075Y](#) [AMA24DR4-120150Y](#) [AMA24DR5-120150Y](#) [AMA36DR4-120250Y](#) [TRE36A050-11G02 VI](#) [TRE36A090-11G03 VI](#) [TRE36A120-11G03 VI](#) [TRE36A135-11G03 VI](#) [TRE36A150-11G03 VI](#) [TRE36A180-11G03 VI](#) [TRE36A240-11G03 VI](#) [TRE36A360-11E03 VI](#)