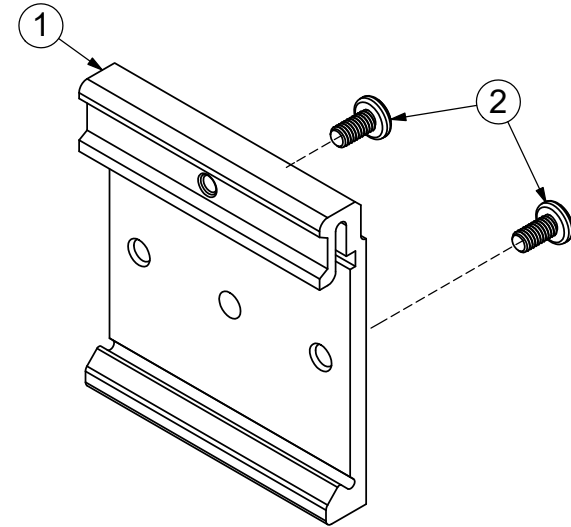
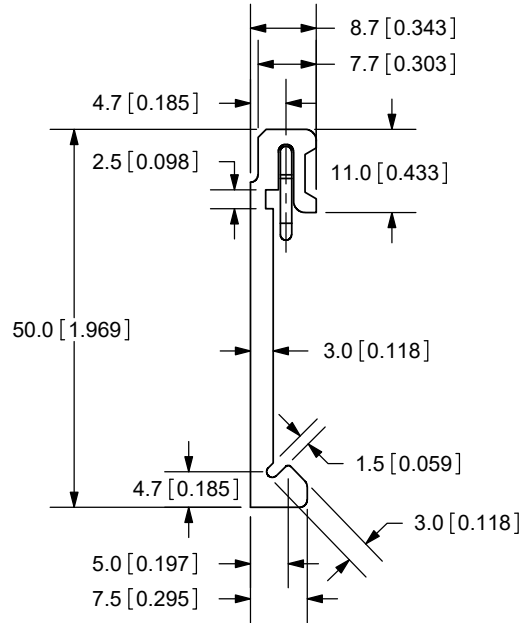
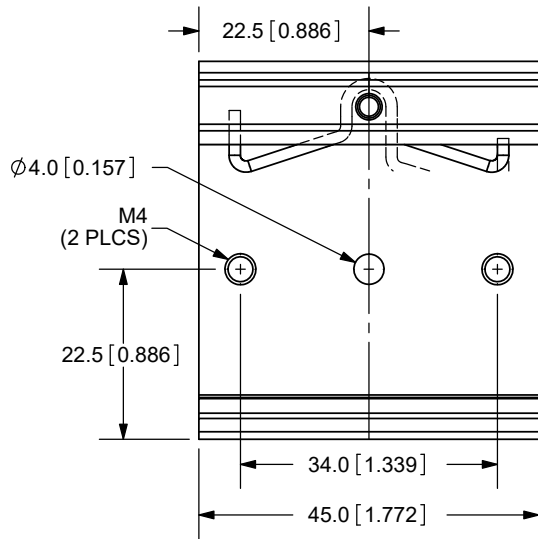


REV.	DESCRIPTION	DATE
A	NEW DRAWING	7/22/2008
B	multiple part updates	7/30/2010
C	mechanical change to the bracket shape	1/23/2012
D	updated drawing	4/27/2018



TOLERANCE: ± 0.3 MM



20050 SW 112th Ave.
 Tualatin, OR 97062
 Phone: 503-612-2300
 800-275-4899
 Fax: 503-612-2383
 Website: www.cui.com

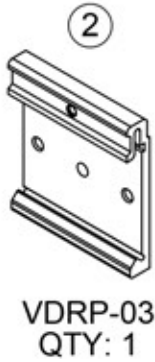
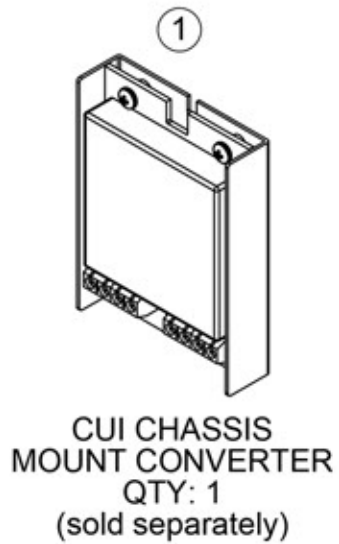
TITLE: DIN RAIL MOUNTING BRACKET		REV: D
PART NO. STK-DIN		UNITS: MM [INCHES]
DRAWN BY: ZRJ	APPROVED BY:	SCALE: 1:1

ITEM	DESCRIPTION	QUANTITY
1	VDRP-03	1
2	M4X4 SCREWS	2

PC FILE NAME:
 STK-DIN

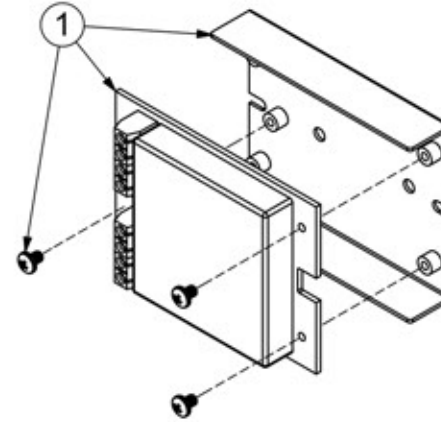
COPYRIGHT 2012 BY CUI INC.

Additional Resources: [Product Page](#)



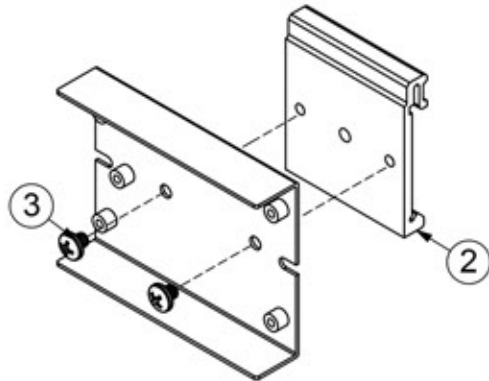
STEP 1

REMOVE PCB ASSEMBLY FROM CUI CHASSIS MOUNT CONVERTER U-FRAME BY LOOSENING THREE M3X6 SCREWS



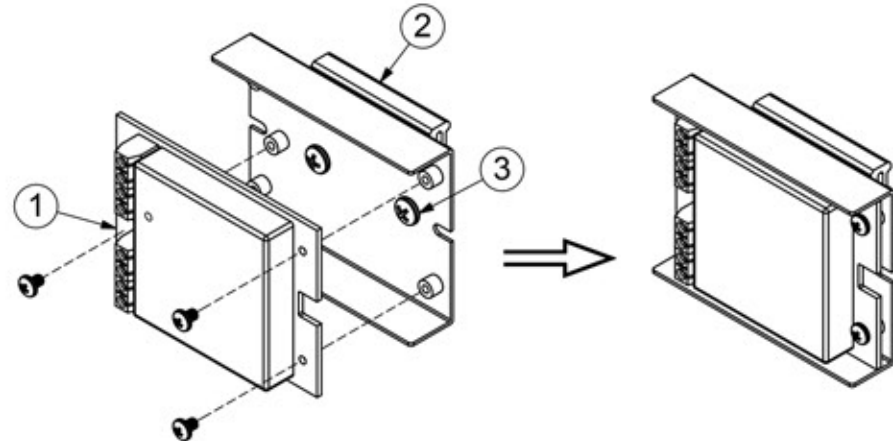
STEP 2

ATTACH VDRP-03 TO CUI CHASSIS MOUNT CONVERTER U-FRAME USING TWO M4X4 SCREWS



STEP 3

REATTACH PCB ASSEMBLY TO U-FRAME OF CUI CHASSIS MOUNT CONVERTER USING THREE M3X6 SCREWS



TITLE: DIN RAIL MOUNTING BRACKET ASSEMBLY INSTRUCTIONS		REV: D
PART NO. STK-DIN	UNITS: MM [INCHES]	
DRAWN BY: ZRJ	APPROVED BY:	SCALE: 1:2

X-ON Electronics

Largest Supplier of Electrical and Electronic Components

Click to view similar products for [Isolated DC/DC Converters](#) category:

Click to view products by [CUI Inc](#) manufacturer:

Other Similar products are found below :

[ESM6D044440C05AAQ](#) [FMD15.24G](#) [PSL486-7LR](#) [Q48T30020-NBB0](#) [JAHW100Y1](#) [SPB05C-12](#) [SQ24S15033-PS0S](#) [18952](#) [19-130041](#)
[CE-1003](#) [CE-1004](#) [GQ2541-7R](#) [RDS180245](#) [MAU228](#) [J80-0041NL](#) [DFC15U48D15](#) [XGS-0512](#) [XGS-1205](#) [XGS-1212](#) [XGS-2412](#) [XGS-2415](#) [XKS-1215](#) [06322](#) [NCT1000N040R050B](#) [SPB05B-15](#) [SPB05C-15](#) [L-DA20](#) [DCG40-5G](#) [QME48T40033-PGB0](#) [XKS-2415](#) [XKS-2412](#)
[XKS-1212](#) [XKS-1205](#) [XKS-0515](#) [XKS-0505](#) [XGS-2405](#) [XGS-1215](#) [XGS-0515](#) [PS9Z-6RM4](#) [73-551-5038I](#) [AK1601-9RT](#) [VI-N61-CM](#) [VI-R5022-EXWW](#) [PSC128-7iR](#) [RPS8-350ATX-XE](#) [DAS1004812](#) [PQA30-D24-S24-DH](#) [VI-M5F-CQ](#) [VI-LN2-EW](#) [VI-PJW01-CZY](#)