

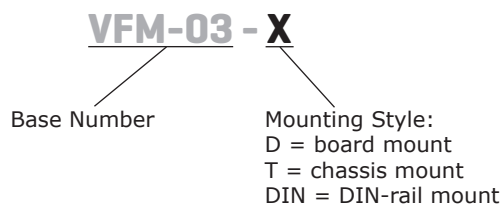
SERIES: VFM-03 | **DESCRIPTION: DC POWER LINE FILTER**
FEATURES

- 3 A maximum filter
- frequency attenuation to 20 dB
- available in DIP, Chassis and DIN rail mounting options
- optimized for reducing EMI noise on DC power line


SPECIFICATIONS

| parameter | conditions/description | min | typ | max | units |
|-----------------------|------------------------|-----|-----|-------|-------|
| input voltage | | 0 | | 80 | Vdc |
| input current | | | | 3 | A |
| noise attenuation | at 150 kHz ~ 1 GHz | | 20 | | dB |
| isolation voltage | | | | 1,500 | Vdc |
| RoHS | yes | | | | |
| operating temperature | | -40 | | 85 | °C |
| storage temperature | | -55 | | 125 | °C |
| storage humidity | non-condensing | 5 | | 95 | % |
| case temperature rise | at nominal current | | | 40 | °C |

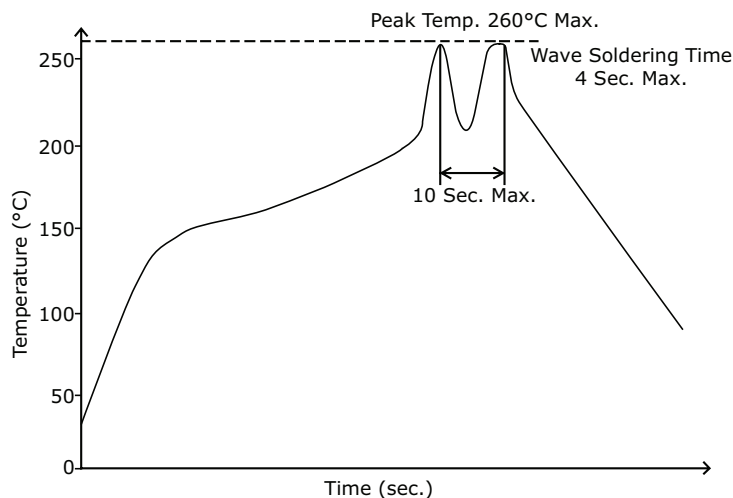
Notes: 1. All specifications are measured at T_a=25°C, humidity < 75%, unless otherwise specified.

PART NUMBER KEY


SOLDERABILITY²

| parameter | conditions/description | min | typ | max | units |
|----------------|----------------------------|-----|-----|-----|-------|
| hand soldering | for 3~5 seconds | 350 | 360 | 370 | °C |
| wave soldering | see wave soldering profile | | | 260 | °C |

Note: 2. For board mount models only.



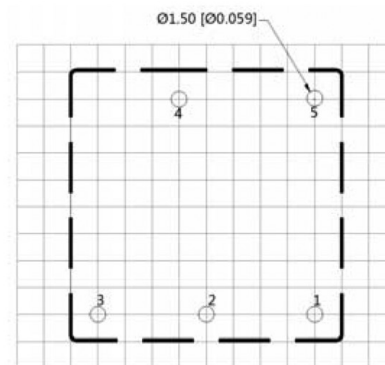
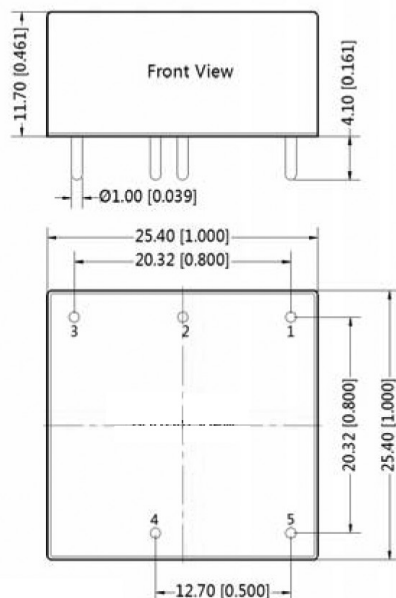
MECHANICAL

| parameter | conditions/description | min | typ | max | units |
|---------------|--|-----|----------------|-----|-------|
| dimensions | board mount: 25.40 x 25.40 x 11.70 [1.000 x 1.000 x 0.461 inch] chassis mount: 76.00 x 31.50 x 21.20 [2.992 x 1.240 x 0.835 inch] DIN-Rail mount: 76.00 x 31.50 x 25.80 [2.992 x 1.240 x 1.016 inch] | | | | mm |
| case material | aluminum alloy | | | | |
| weight | board mount chassis mount DIN-rail mount | | 15 35 55 | | g |

MECHANICAL DRAWING (BOARD MOUNT)

units: mm [inch]
tolerance: ±0.50[±0.020]
pin diameter tolerance: ±0.10[±0.004]
pin height tolerance: ±0.50[±0.020]

| PIN CONNECTIONS | |
|-----------------|----------|
| PIN | Function |
| 1 | +Vin |
| 2 | -Vin |
| 3 | GND |
| 4 | -Vout |
| 5 | +Vout |



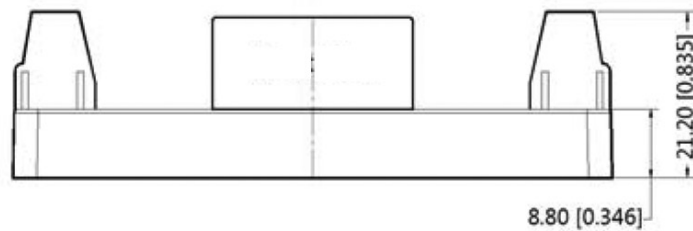
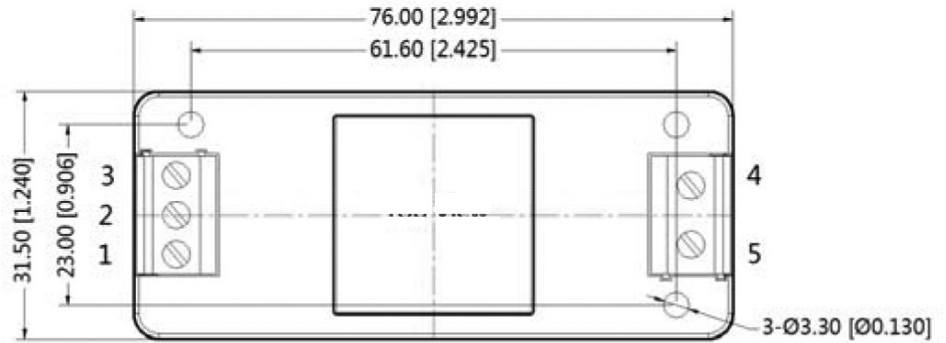
Note: Grid 2.54*2.54mm
Recommended PCB Layout
Top View

MECHANICAL DRAWING (CHASSIS MOUNT)

units: mm [inch]
tolerance: $\pm 0.50[\pm 0.020]$

wire range: 24~12 AWG
tightening torque: 0.4 N*m max

| PIN CONNECTIONS | |
|-----------------|----------|
| PIN | Function |
| 1 | +Vin |
| 2 | -Vin |
| 3 | GND |
| 4 | -Vout |
| 5 | +Vout |

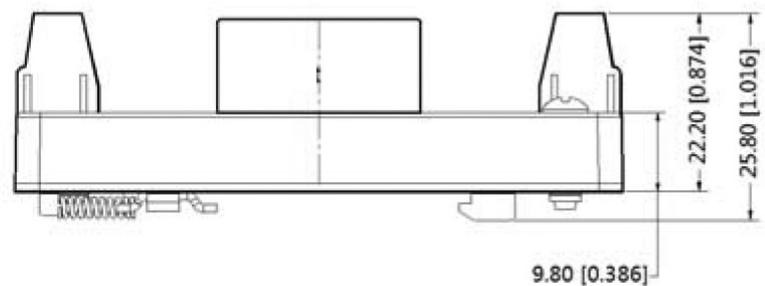
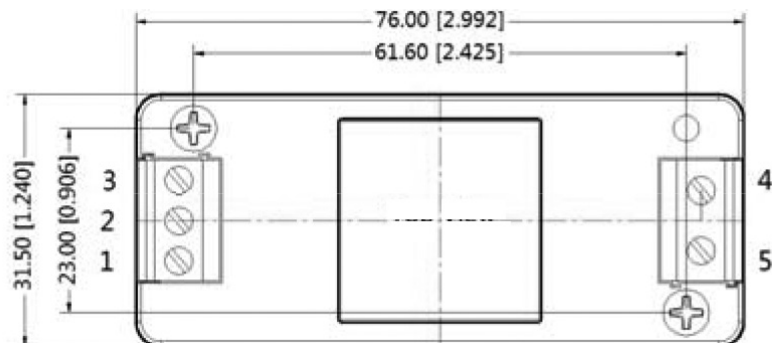


MECHANICAL DRAWING (DIN-RAIL MOUNT)

units: mm [inch]
tolerance: $\pm 0.50[\pm 0.020]$

installed on DIN rail TS35
wire range: 24~12 AWG
tightening torque: 0.4 N*m max

| PIN CONNECTIONS | |
|-----------------|----------|
| PIN | Function |
| 1 | +Vin |
| 2 | -Vin |
| 3 | GND |
| 4 | -Vout |
| 5 | +Vout |



APPLICATION CIRCUIT

Figure 1
Application Circuit

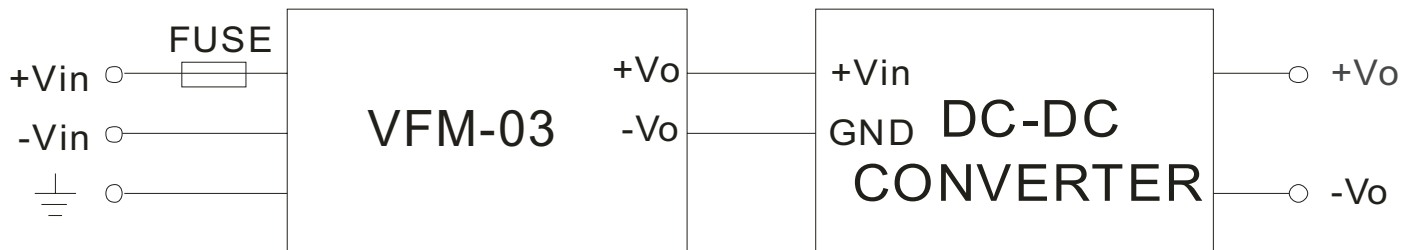
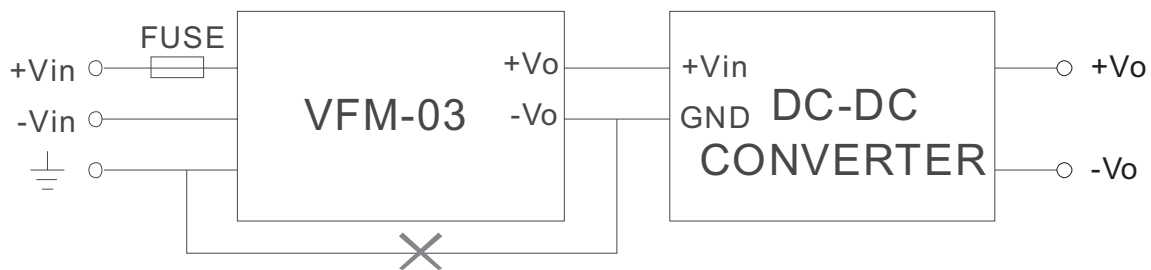


Figure 2
Non-supported Application for Module



PACKAGING (BOARD MOUNT)

units: mm

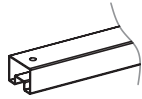
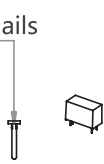
Tube Size: 28.6 x 19.8 mm

Inner Carton Size: 575 x 135 x 100 mm

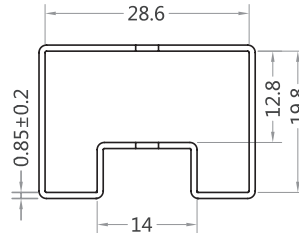
Outer Carton Size: 600 x 285 x 225 mm

Outer Carton QTY: 912 pcs

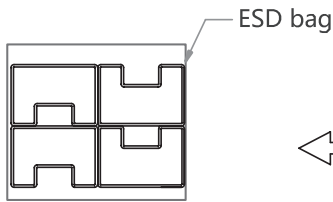
2 PCS of 22mm nails



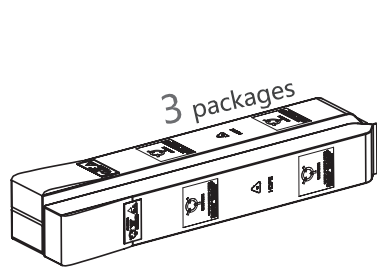
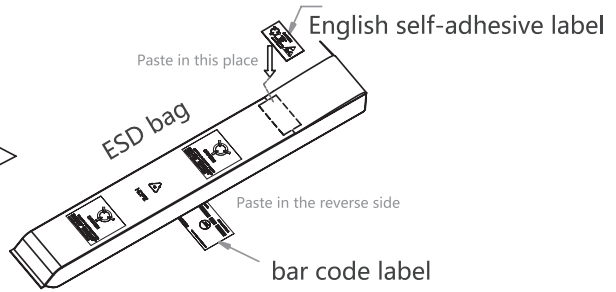
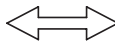
packaging tube



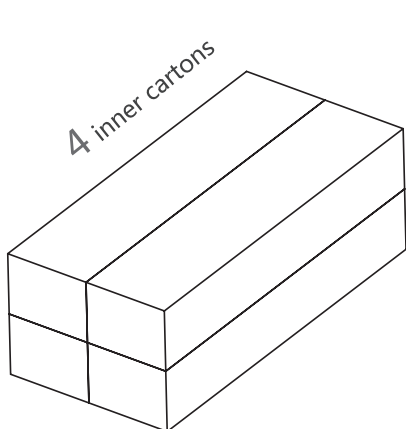
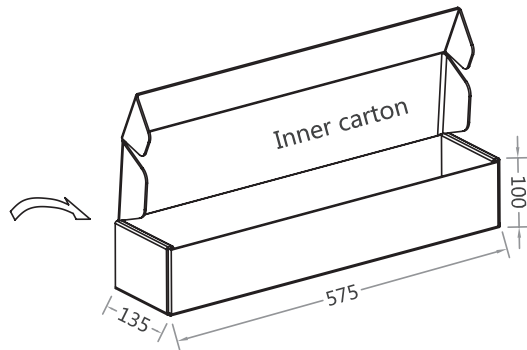
19 products in one packing tube



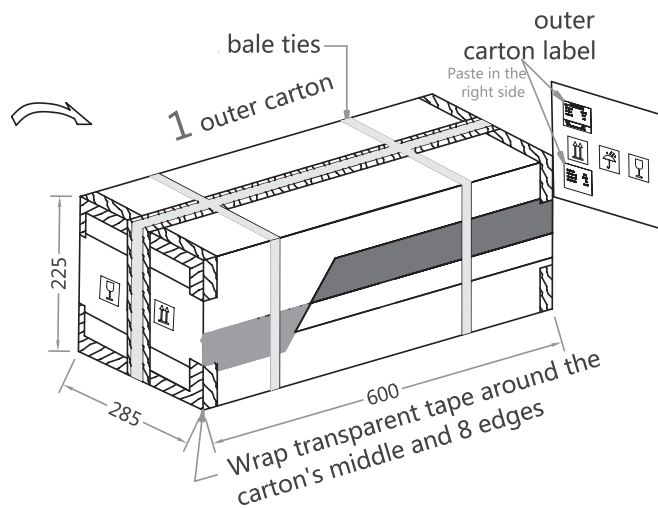
4 tubes in one ESD bag



3 packages



4 inner cartons



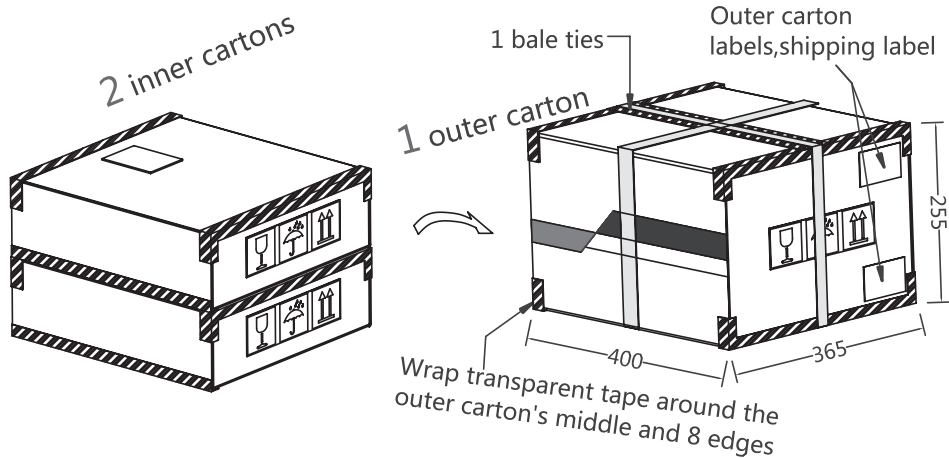
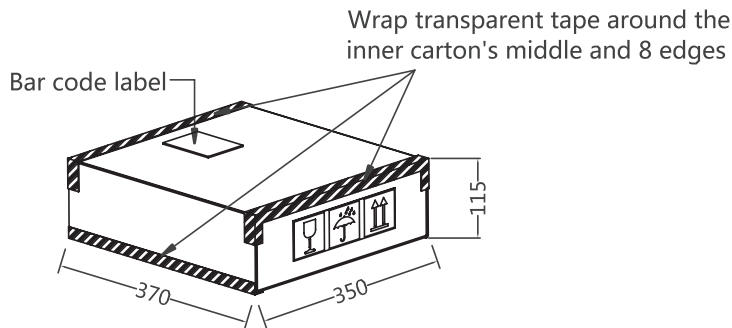
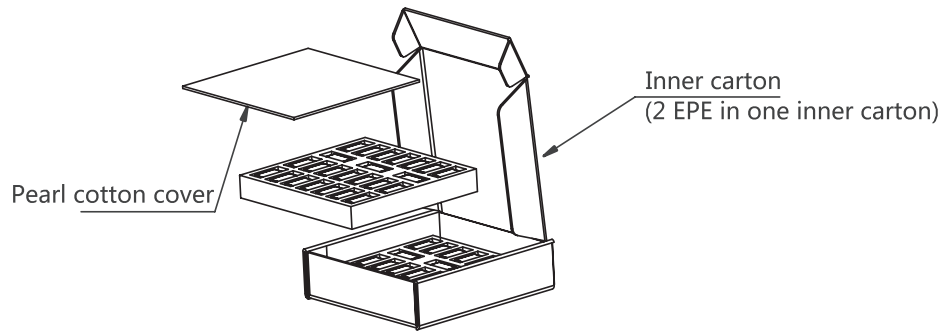
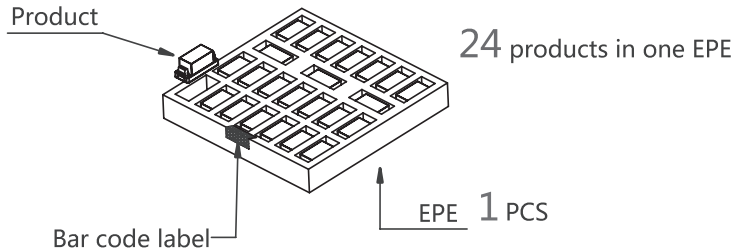
PACKAGING (CHASSIS, DIN-RAIL MOUNT)

units: mm

Inner Carton Size: 370 x 350 x 115 mm

Outer Carton Size: 400 x 365 x 255 mm

Outer Carton QTY: 96 pcs



REVISION HISTORY

| rev. | description | date |
|------|-----------------|------------|
| 1.0 | initial release | 12/17/2018 |

The revision history provided is for informational purposes only and is believed to be accurate.



Headquarters
20050 SW 112th Ave.
Tualatin, OR 97062
800.275.4899

Fax 503.612.2383
cui.com
techsupport@cui.com

CUI offers a two (2) year limited warranty. Complete warranty information is listed on our website.

CUI reserves the right to make changes to the product at any time without notice. Information provided by CUI is believed to be accurate and reliable. However, no responsibility is assumed by CUI for its use, nor for any infringements of patents or other rights of third parties which may result from its use.

CUI products are not authorized or warranted for use as critical components in equipment that requires an extremely high level of reliability. A critical component is any component of a life support device or system whose failure to perform can be reasonably expected to cause the failure of the life support device or system, or to affect its safety or effectiveness.

X-ON Electronics

Largest Supplier of Electrical and Electronic Components

Click to view similar products for [Power Line Filters](#) category:

Click to view products by [CUI Inc](#) manufacturer:

Other Similar products are found below :

[6609019-3](#) [6609026-5](#) [6609030-6](#) [6609973-2](#) [D30A](#) [7-1609090-5](#) [F2810](#) [F4456A](#) [F7382Z](#) [F7863Z](#) [FAHAV3100ZC000](#) [806276](#) [FN2020B-1-06](#) [FN2080B-10-06](#) [FN2410H-32-33](#) [FN2410H-80-34](#) [FP144](#) [FS4153-20-06](#) [FS4353-500-99](#) [12-MMB-030-11-D](#) [DB4-393](#) [15811T200](#) [20B1](#) [LC630](#) [2B1](#) [1609080-2](#) [1609993-8](#) [1-6609070-1](#) [F1100AA02](#) [F1150CC10](#) [F1500CA10](#) [F1500CA15](#) [F4041Z](#) [F7585E](#) [1B1](#) [FN2070A-16-06](#) [FN2090A-20-06](#) [FN2090B-12-06](#) [FN2090Z-1-06](#) [FN2410H-25-33](#) [FN2410H-60-34](#) [FN2410H-8-44](#) [FN2412H-8-44](#) [FN323B-6-01](#) [FN610R-3-06](#) [20EHQ7](#) [20EHZ7](#) [20K1](#) [30B6](#) [3K1](#)