

DIM.A= 1.27 x No. of Spaces
 DIM.B= DIM.A + 5.87
 DIM.C= DIM.A + 1.80
 DIM.D= DIM.A + 3.27
 *Available in 4 ~ 26 Circuits

Material:

* Insulation:

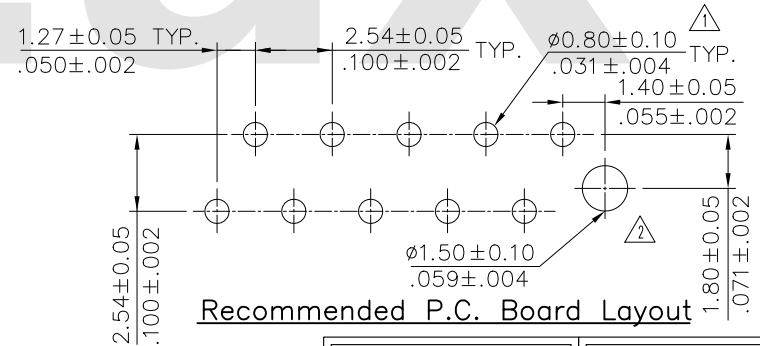
Glass Filled Polyester UL 94V-0

* Contact: Phosphor Bronze

Ordering Code:

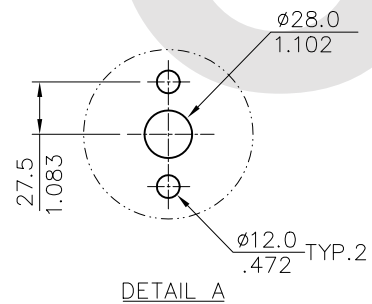
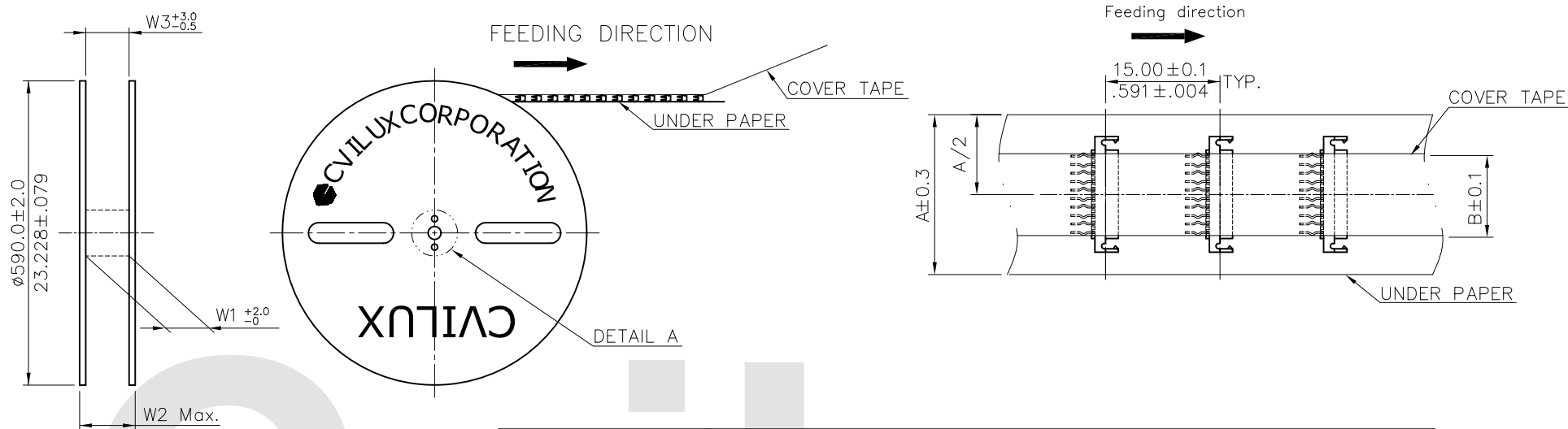
CA32 ** V 1 3 * *
 ① ② ③ ④ ⑤ ⑥ ⑦

- ① Series No.:
- ② No. of Circuits: 04 to 26
- ③ Contacts Type:
V= Straight Type
- ④ Plating option:
1= Tin over Nickel plated
(Matte Tin Plated)
- ⑤ Color: 3= Red
- ⑥ Option: 0=Tube Packing
R=Tape & Reel Packing
- ⑥ Other Option:
0= Without Latch
L= With Latch



Lead Free Process RoHS Compliant


⑥	Sun	3/11-16'	ECRT116009/ECNT116035		DATE	UNIT: mm / inch	TITLE: 1.27mm Pitch Female Top entry DIP Type Connector	瀚荃股份有限公司 CviLux Corporation
⑤	Sandy	12/20-07	ECN07540	DRAWN BY: Sun	3/14-16'	TOLERANCE UNLESS OTHERWISE SPECIFIED	MATERIAL:	
④	Sandy	11/20-07	ECN07473/ECR07081-1	ENGINEER: Sun	3/14-16'	.X ± 0.3/.012 X' ± 1"	FINISH:	DRAWING NO. CA3202SG PART NO. CA32**V13**
③	Sandy	10/04-07	ECN07378	CHECKED BY: Eisley	3/15-16'	.XX ± 0.2/.008 .X' ±		SCALE 4 / 1 SHEET 1 OF 2
SYM	NAME	DATE	REVISIONS	APPROVED BY: Eisley	3/15-16'	.XXX ± 0.1/.004 .XX' ±		



Circuits	Dimension				
	A	B	W1	W2	W3
4	11.0(.433)	6.0(.236)	13.0(.512)	23.0(.906)	13.0(.512)
6	17.0(.669)	6.0(.236)	18.0(.709)	28.0(1.102)	18.0(.709)
8	17.0(.669)	6.0(.236)	18.0(.709)	28.0(1.102)	18.0(.709)
10	21.0(.827)	6.0(.236)	22.0(.866)	32.0(1.260)	22.0(.866)
12	21.0(.827)	6.0(.236)	22.0(.866)	32.0(1.260)	22.0(.866)
14	24.0(.945)	6.0(.236)	25.0(.984)	35.0(1.378)	25.0(.984)
16	29.0(1.142)	6.0(.236)	30.0(1.181)	40.0(1.575)	30.0(1.181)
18	29.0(1.142)	6.0(.236)	30.0(1.181)	40.0(1.575)	30.0(1.181)
20	32.0(1.260)	6.0(.236)	33.0(1.299)	43.0(1.693)	33.0(1.299)
22	36.0(1.417)	6.0(.236)	37.0(1.457)	47.0(1.850)	37.0(1.457)
24	36.0(1.417)	6.0(.236)	37.0(1.457)	47.0(1.850)	37.0(1.457)
26	39.0(1.535)	6.0(.236)	40.0(1.575)	50.0(1.969)	40.0(1.575)

* Quantity : 2500 PCS/Reel/Caton

RoHS Compliant

6	Sun	3/11-16'	ECRT116009/ECNT116035		DATE	UNIT: mm / inch	TITLE: TAPE & REEL PACKAGING FOR CA32 SERIES SMT TYPE	 瀚荃股份有限公司 CviLux Corporation	
5	Sandy	12/20-07	ECN07540	DRAWN BY: Sun	3/14-16'	TOLERANCE UNLESS OTHERWISE SPECIFIED			MATERIAL:
4	Sandy	11/20-07	ECN07473/ECR07081-1	ENGINEER: Sun	3/14-16'	.X ± X' ± 1'	FINISH:	DRAWING NO. CA3202SG	
3	Sandy	10/04-07	ECN07378	CHECKED BY: Eisley	3/15-16'	.XX ± X' ±		SCALE	SHEET 2 OF 2
SYM	NAME	DATE	REVISIONS	APPROVED BY: Eisley	3/15-16'	.XXX ± XX' ±			

X-ON Electronics

Largest Supplier of Electrical and Electronic Components

Click to view similar products for [Board to Board & Mezzanine Connectors](#) category:

Click to view products by [Cvilux](#) manufacturer:

Other Similar products are found below :

[589158040000018](#) [MDF7C-18P-2.54DSA\(55\)](#) [FCN-268F036-G/BD](#) [FCN-268M012-G/0D](#) [FCN-268M024-G/1D](#) [FCN-723J004/1](#) [MIS-048-01-F-D-DP-K](#) [832-10-034-10-001000](#) [FX4C-80S-1.27DSA](#) [93696-330](#) [224393](#) [FCN-235D050-G/C](#) [210-93-314-41-105000](#) [2-22603-0](#) [MDF7-40DP-2.54DSA\(55\)](#) [5031084030](#) [MIT-114-03-F-D-K](#) [55323-1519](#) [45970-4130](#) [YFT-20-05-H-03-SB-K](#) [503308-3040](#) [026-6203-PDB](#) [027-6203-PDB](#) [069159702701000](#) [101A10019X](#) [105061100000861+](#) [55650-0588-C](#) [75140-7012](#) [87471-650](#) [YTW-30-07-H-Q-410-140](#) [YTT-112-01-H-Q](#) [063209](#) [0717420006](#) [FCN-268F024-G0D](#) [10124054-515LF](#) [68685-603](#) [8-1616154-3](#) [MIS-019-01-F-D](#) [YTQ-11201HQ](#) [IL-WX-10PB-HF-B-E1000E](#) [YFT-50-05-H-10-SB-K](#) [FCN-268M024-G/3D](#) [MDF7-16DP-2.54DSA\(55\)](#) [AXE810124](#) [FCN-214J100-G/0](#) [FCN-230C068-E/S](#) [AXE812124](#) [74220-001](#) [354184](#) [P50-028-DDS-TG](#)