

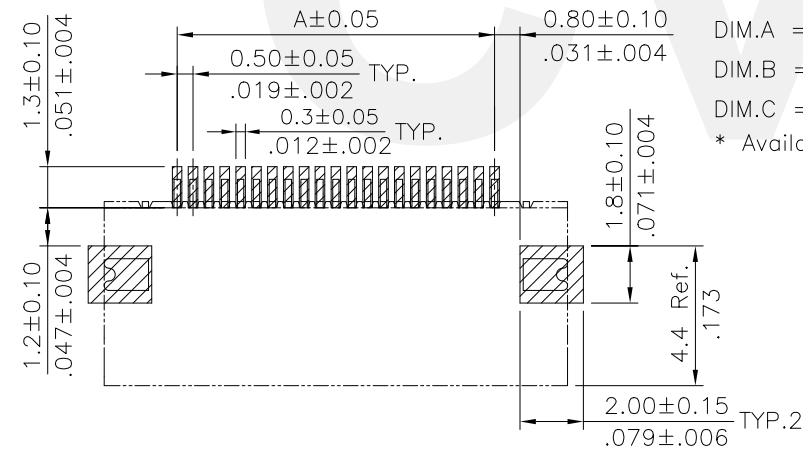
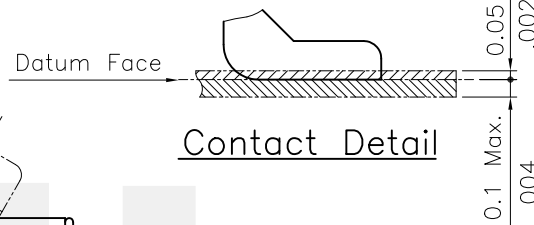
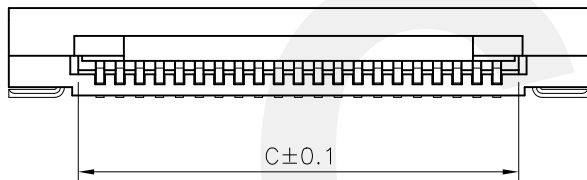
Material :

- * Body : Nylon 6T With 30% GF. UL 94V-0, Color Nature
- * Slider : Nylon 6T With 30% GF. UL 94V-0, Color Black
- * Contact : Phosphor Bronze
- * Fixed tab : Brass with Tin Plated

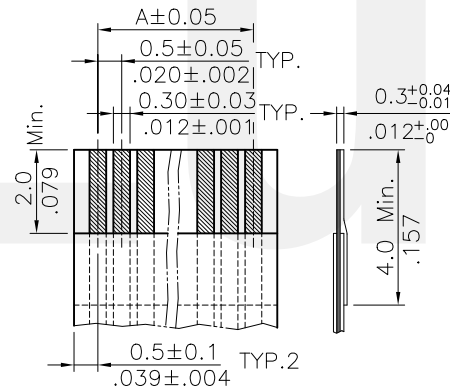
Ordering Code

CF25 ** 1 D 0 *0 - 05 - NH
 ① ② ③ ④ ⑤ ⑥ ⑦ ⑧

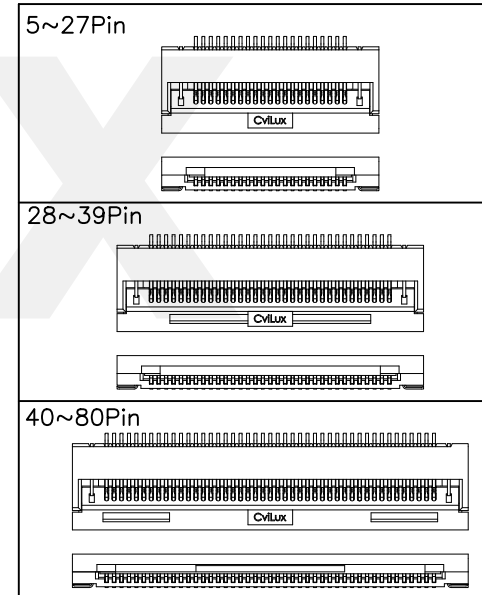
- ① Series No.
- ② No. of Circuits
- ③ Plating code:
1= Matte Tin plated over Nickel
2= Gold flash over 50u"min. Nickel
- ④ Contact style: D= Downside contact
- ⑤ Color: 0= Nature
- ⑥ Other option: R0= Tape & Reel
T0= Tube Packing
- ⑦ Pitch: 05= 0.50 mm
- ⑧ -NH= For Lead Free IR Processes and Halogen-Free



DIM.A = 0.50 x No. of Spaces
 DIM.B = DIM.A + 4.6
 DIM.C = DIM.A + 1.1
 * Available in 5 through 80 circuits



Accommodated FFC/FPC

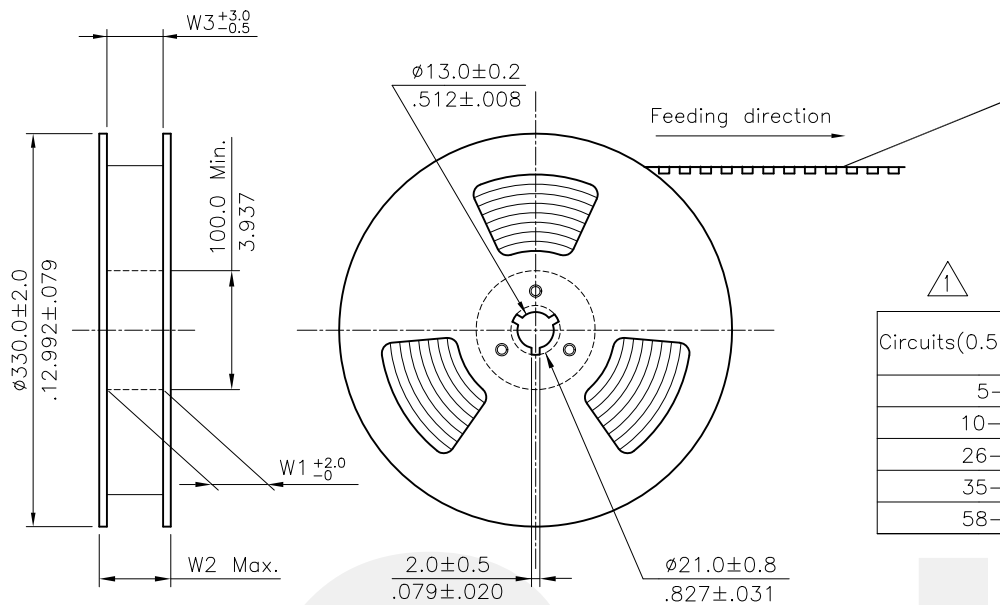


Recommended P.C. Board Layout

Halogen-Free Lead Free Process RoHS compliant

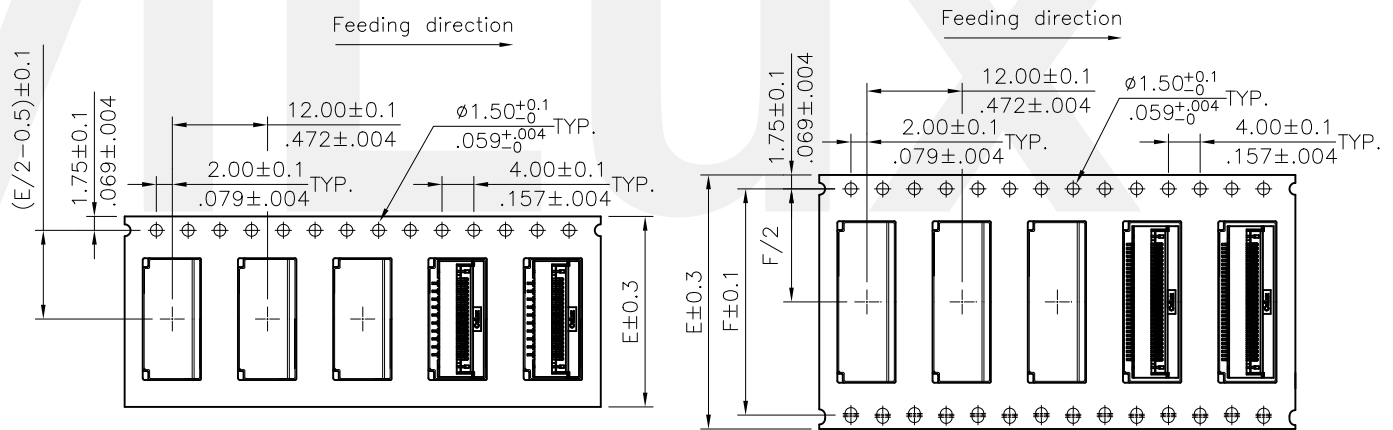
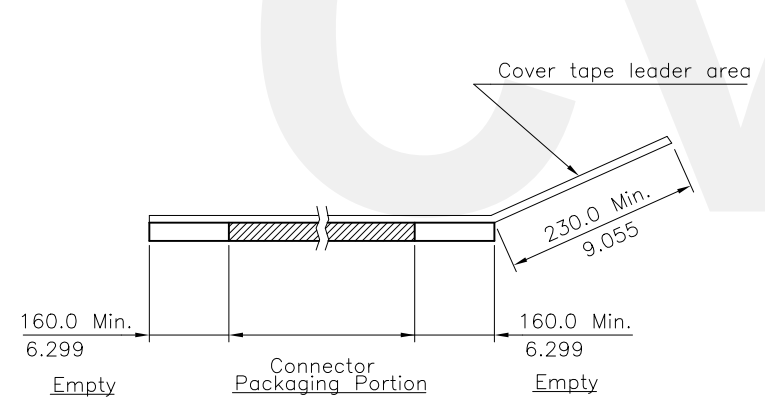
④					DATE	UNIT: mm / inch	TITLE: 0.50mm(.020") ZIF FFC/FPC ONE-TOUCH CONNECTOR								
③				DRAWN BY: Sandy	2/23-16'	TOLERANCE UNLESS OTHERWISE SPECIFIED	MATERIAL: FINISH:								
②	Sandy	2/16-16'	ECNT116028/ECRB116002	ENGINEER: Sun	2/26-16'	.X ± 0.15/006 .X' ± 1'									
①	Enya	11/06-12	ECN12272-0/ECR12080-1	CHECKED BY: Easley	3/04-16'	.XX ± 0.10/004 .X ±									
SYM	NAME	DATE	REVISIONS	APPROVED BY: Easley	3/04-16'	.XXX ± 0.05/002 .XX ±									
<table border="1" style="width: 100%;"> <tr> <td colspan="2">DRAWING NO. CF2520SC</td> <td colspan="2">PART NO. CF25***D0*0-05-NH</td> </tr> <tr> <td>SCALE</td> <td>5 / 1</td> <td>SHEET</td> <td>1 OF 2</td> </tr> </table>								DRAWING NO. CF2520SC		PART NO. CF25***D0*0-05-NH		SCALE	5 / 1	SHEET	1 OF 2
DRAWING NO. CF2520SC		PART NO. CF25***D0*0-05-NH													
SCALE	5 / 1	SHEET	1 OF 2												





- NOTES:
1. 10 sprocket hole pitch cumulative tolerance ± 0.20
 2. Carrier camber is within 1 mm in 250 mm.
 3. Material :Transparent Anti-static Polysyrene.
 4. All dimensions meet EIA-481-2 requirements.
 5. Thickness : 0.35 ± 0.05 mm.
 6. Packing length per 22" Reel : 56 Meters.
 7. Component load per 13" Reel : 2000 pcs.

Circuits(0.5mm Pitch)	Dimension					Packing (Reel/Caton)
	E	F	W1	W2	W3	
5-9	16.0(.630)	—	16.5(.650)	22.5(.886)	16.5(.650)	11
10-25	24.0(.945)	—	24.5(.965)	30.5(1.201)	24.5(.965)	9
26-34	32.0(1.260)	28.40(1.118)	32.5(1.280)	38.5(1.516)	32.5(1.280)	7
35-57	44.0(1.732)	40.40(1.591)	44.5(1.752)	50.5(1.988)	44.5(1.752)	5
58-80	56.0(2.205)	52.50(2.067)	56.5(2.224)	62.5(2.461)	56.5(2.224)	4



WIDTH : 16.24 mm Carrier

WIDTH : 32.44,56 mm Carrier

RoHS Compliant

SYM	NAME	DATE	REVISIONS	APPROVED BY:	DATE	UNIT: mm / inch	TITLE: 0.50mm(.020") ZIF FFC/FPC ONE-TOUCH CONNECTOR	MATERIAL:	FINISH:	DRAWING NO.	CF2520SC	PART NO.	CF25***D0*0-05-NH
4						DATE							
3				DRAWN BY: Sandy	2/23-16'	UNIT: mm / inch							
2	Sandy	2/16-16'	ECNT116028/ECRB116002	ENGINEER: Sun	2/26-16'	TOLERANCE UNLESS OTHERWISE SPECIFIED							
1	Enya	11/06-12	ECN12272-0/ECR12080-1	CHECKED BY: Eisley	3/04-16'	.X ±	X' ±						
				APPROVED BY: Eisley	3/04-16'	.XX ±	.X' ±						
						.XXX ±	.XX' ±						



SCALE		SHEET	2	OF	2
-------	--	-------	---	----	---

X-ON Electronics

Largest Supplier of Electrical and Electronic Components

Click to view similar products for [FFC & FPC Connectors](#) category:

Click to view products by [Cvilux](#) manufacturer:

Other Similar products are found below :

[00-6200-227-022-800](#) [006205250500825+](#) [006205280500825+](#) [FPH-1602G](#) [FPH-2022G](#) [52610-1275](#) [501864-3091-TR225](#)
[086222026001800](#) [52610-0675](#) [62674-201121DLF](#) [62684-36210E9ALF](#) [52746-1671-TR250](#) [10051922-2810EHLF](#) [686322124422](#) [XF3M-](#)
[2915-1B-R100](#) [AYF353125A](#) [AYF530665TA](#) [AYF534065TA](#) [AYF351525](#) [086212040340800+](#) [AYF530365TA](#) [67000-004LF](#)
[006207341915000+](#) [207356-1](#) [67000-003LF](#) [HFW14R-2STE9LF](#) [SFW12R-5STE9LF](#) [SFW18R-1STAE9LF](#) [SFW4R-5STE9LF](#) [52807-0430](#)
[046283021002868+](#) [502250-8027](#) [104267-9617](#) [66987-011LF](#) [HFW8S-2STAE1HLF](#) [67000-008LF](#) [HFW22R-2STE1H1LF](#) [0781271110](#)
[5019511030](#) [200528-0260](#) [5039084120](#) [503908-5120](#) [SFW20R-1STGE5LF](#) [FH12-18S-0.5SH](#) [686116183522](#) [FH64MA-11S-0.25SHW](#)
[686114183522](#) [502078-5362](#) [FH52K-68S-0.5SH](#) [FH26W-23S-0.3SHW\(60\)](#)