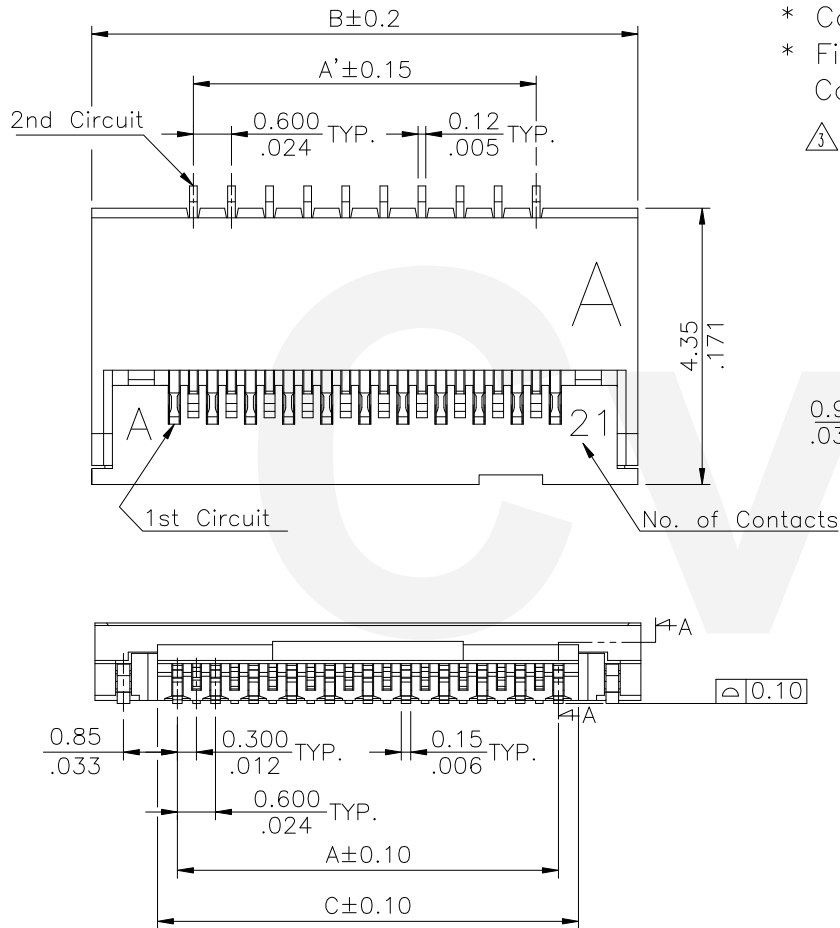


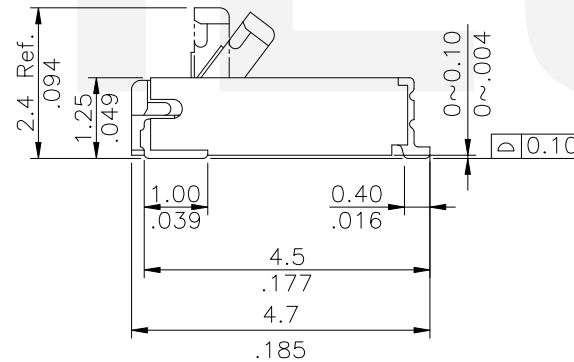
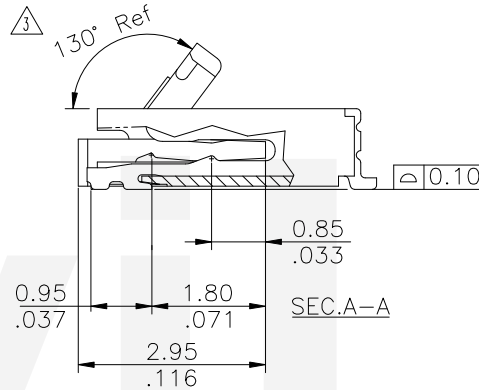
$A = 0.30 * (\text{No. of Contacts} - 1)$   
 $A1 = A - 0.6$   
 $B = A + 2.6$   
 $C = A + 0.63$

4 \* AVAILABLE IN 11、21、25、31、33、35、37  
 5 39、41、45 CIRCUITS



Material :

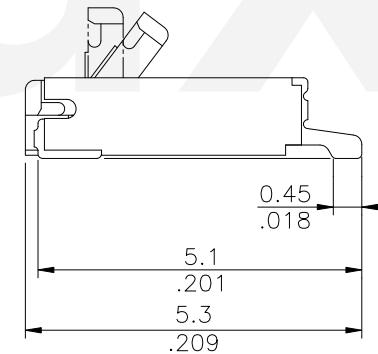
- \* Body : High Temperature plastic UL 94V-0 Color Nature
- \* Cover : High Temperature plastic UL 94V-0 Color Black
- \* Contact : Copper alloy
- \* Fixed tab : Copper alloy with Matte Tin plated



Ordering Code

CF30 \*\* 2 D 0 R \* - NH  
 ① ② ③ ④ ⑤ ⑥ ⑦ ⑧


- ① Series No.
- ② No. of Circuits
- ③ Plating code:  
2 = Gold flash over  $0.76\mu\text{m}(30\mu\text{'})$  Nickel
- ④ Contact style: D = Downside contact
- ⑤ Color: 0 = Nature
- ⑥ Packing option: R = Tape & Reel
- ⑦ Other option: A = Lead-Less Type  
B = Lead Type
- ⑧ Other option:  
NH = For Lead Free IR Processes & Halogen-Free



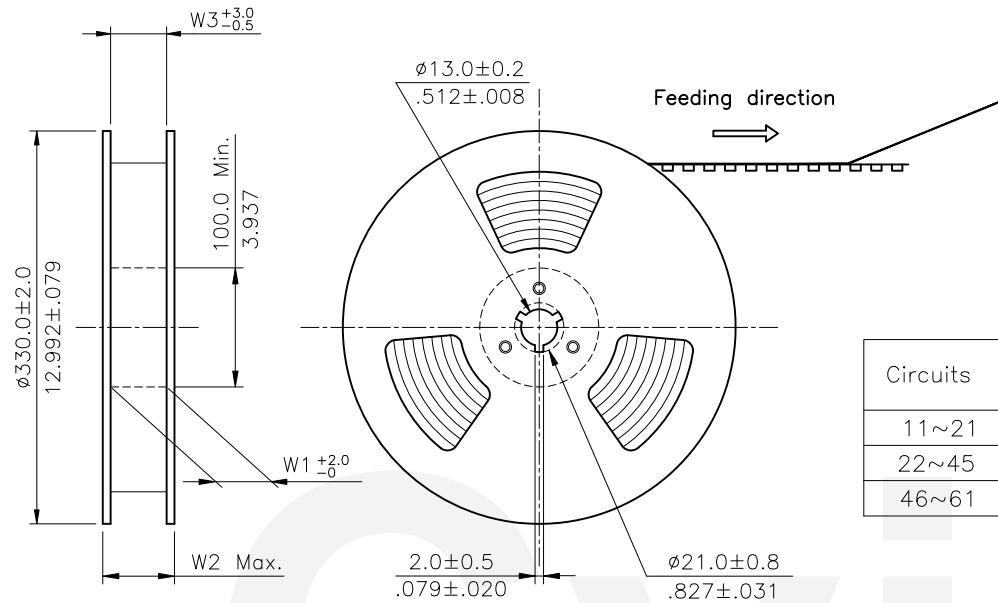
CF30\*\*2DORA-NH

CF30\*\*2DORB-NH

Halogen-Free  
 Lead Free Process  
 RoHS Compliant

5	Sun	10/6-20'	ECNT120226		DATE	UNIT: mm / inch	TITLE: 0.30mm(.012") ZIF FPC ONE-TOUCH CONNECTOR (H= 1.25mm)	 瀚荃股份有限公司 CviLux Corporation
4	Karen	11/17-14'	ECNT114265/ECRT114082	DRAWN BY: Sun	10/07-20'	TOLERANCE UNLESS OTHERWISE SPECIFIED	MATERIAL:	
3	Sandy	6/18-08'	ECN08216	ENGINEER: Sun	10/07-20'	.X $\pm 0.15/006$ X' $\pm 1'$		
2	Sun	5/09-08'	ECN08210	CHECKED BY: Eisley	10/08-20'	.XX $\pm 0.10/004$ .X' $\pm$	FINISH:	
SYM	NAME	DATE	REVISIONS	APPROVED BY: Eisley	10/08-20'	.XXX $\pm 0.05/002$ .XX' $\pm$		
DRAWING NO. CF3008SF PART NO. CF30**2DOR*-NH								SCALE 8 / 1 SHEET 1 OF 3

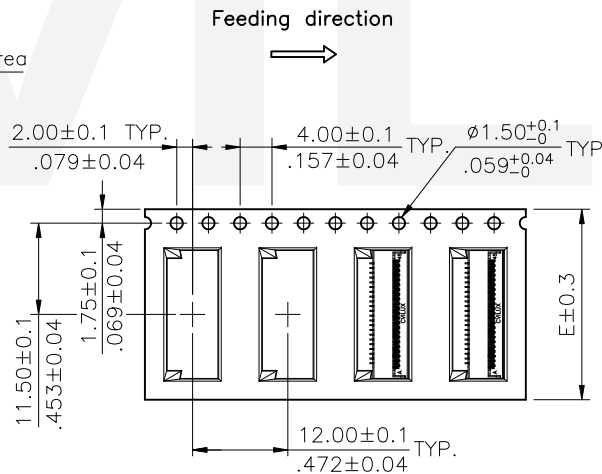
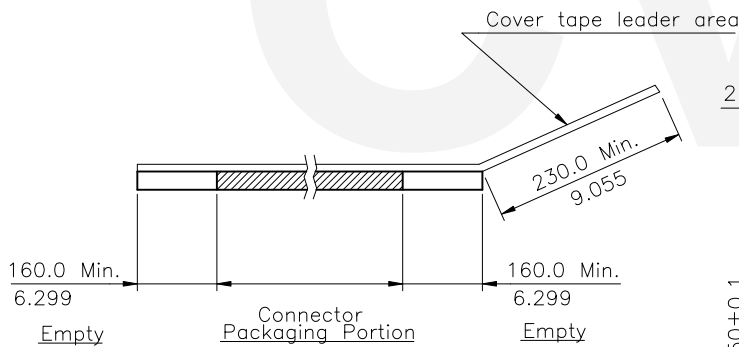




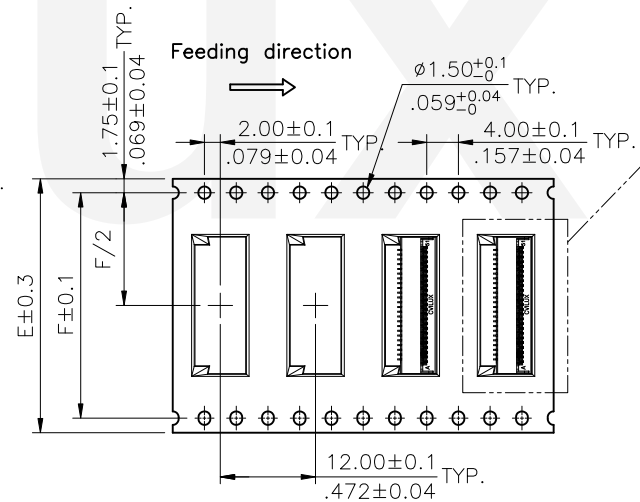
NOTE :

1. 10 sprocket hole pitch cumulative tolerance  $\pm 0.20$ .
2. Carrier camber is within 1 mm in 250mm.
3. Material : Clear,Transparent Polystyrene Alloy (UP-5200).
4. All dimensions meet EIA-481-C requirements.
5. Thickness :  $0.40 \pm 0.05$ mm.
6. Packing length per 22" reel : 92.5 Meters.
7. Component load per 13" reel : 2400 pcs.

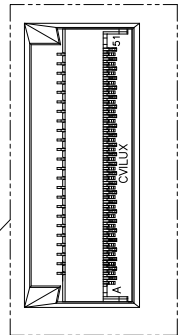
Circuits	Dimension					Packing (Reel/Caton)
	E	F	W1	W2	W3	
11~21	16.0(.630)	—	16.5(.650)	22.5(.886)	16.5(.650)	11
22~45	24.0(.945)	—	24.5(.965)	30.5(1.201)	24.5(.965)	9
46~61	32.0(1.260)	28.40(1.118)	32.5(1.280)	38.5(1.516)	32.5(1.280)	7



WIDTH : 16.24 mm Carrier



WIDTH : 32 mm Carrier



RoHS Compliant

SYM	NAME	DATE	REVISIONS	APPROVED BY:	DATE	UNIT: mm / inch	TOLERANCE UNLESS OTHERWISE SPECIFIED	TITLE: TAPE & REEL PACKAGING FOR CF30 SERIES	MATERIAL:	FINISH:	DRAWING NO.	PART NO.	SHEET	OF	3
5	Sun	10/6-20'	ECNT120226												
4	Karen	11/17-14'	ECNT114265/ECRT114082	DRAWN BY:	Sun	10/07-20'									
3	Sandy	6/18-08'	ECN08216	ENGINEER:	Sun	10/07-20'	.X ±	X' ± 1'							
2	Sun	5/09-08'	ECN08210	CHECKED BY:	Eisley	10/08-20'	.XX ±	.X' ±							
				APPROVED BY:	Eisley	10/08-20'	.XXX ±	.XX' ±							

瀚荃股份有限公司  
CviLux Corporation

SCALE	CF3008SF	PART NO.	CF30**2D0R*-NH
		SHEET	3 OF 3

## X-ON Electronics

Largest Supplier of Electrical and Electronic Components

*Click to view similar products for [FFC & FPC Connectors](#) category:*

*Click to view products by [Cvilux](#) manufacturer:*

Other Similar products are found below :

[00-6200-227-022-800](#) [006205250500825+](#) [006205280500825+](#) [FPH-1602G](#) [FPH-2022G](#) [52610-1275](#) [501864-3091-TR225](#)  
[086222026001800](#) [52610-0675](#) [62674-201121DLF](#) [62684-36210E9ALF](#) [52746-1671-TR250](#) [10051922-2810EHLF](#) [686322124422](#) [XF3M-](#)  
[2915-1B-R100](#) [AYF353125A](#) [AYF530665TA](#) [AYF534065TA](#) [AYF351525](#) [086212040340800+](#) [AYF530365TA](#) [67000-004LF](#)  
[006207341915000+](#) [207356-1](#) [67000-003LF](#) [HFW14R-2STE9LF](#) [SFW12R-5STE9LF](#) [SFW18R-1STAE9LF](#) [SFW4R-5STE9LF](#) [52807-0430](#)  
[046283021002868+](#) [502250-8027](#) [104267-9617](#) [66987-011LF](#) [HFW8S-2STAE1HLF](#) [67000-008LF](#) [HFW22R-2STE1H1LF](#) [0781271110](#)  
[5019511030](#) [200528-0260](#) [5039084120](#) [503908-5120](#) [SFW20R-1STGE5LF](#) [FH12-18S-0.5SH](#) [686116183522](#) [FH64MA-11S-0.25SHW](#)  
[686114183522](#) [502078-5362](#) [FH52K-68S-0.5SH](#) [FH26W-23S-0.3SHW\(60\)](#)