

SYM	NAME	DATE	REVISIONS	APPROVED BY:	6/12-20'	.XXX ±	FINISH:	SCALE	SHEET 1 OF 3
1	Clare	7/6-12'	ECR12043-5/ECN12037-5/ECR12048-5	CHECKED BY: Eisle	6/12-20'	.XX ± 0.15/006		DRAWING NO. CF3103SC	
2	Sun	6/10-20'	ECRH120027/ECN120153	ENGINEER: Sun	6/11-20'	X ± 0.25/010	MATERIAL:	PART NO. CF31***D0**-05-NH	
3				DRAWN BY: Sun	6/11-20'	TOLERANCE UNLESS OTHERWISE SPECIFIED		Cvlux Corporation 瀚基股份有限公司	
4					DATE	UNIT: mm / inch	TITLE: 0.50mm(.020") ZIF FFC/FPC ONE-TOUCH CONNECTOR		

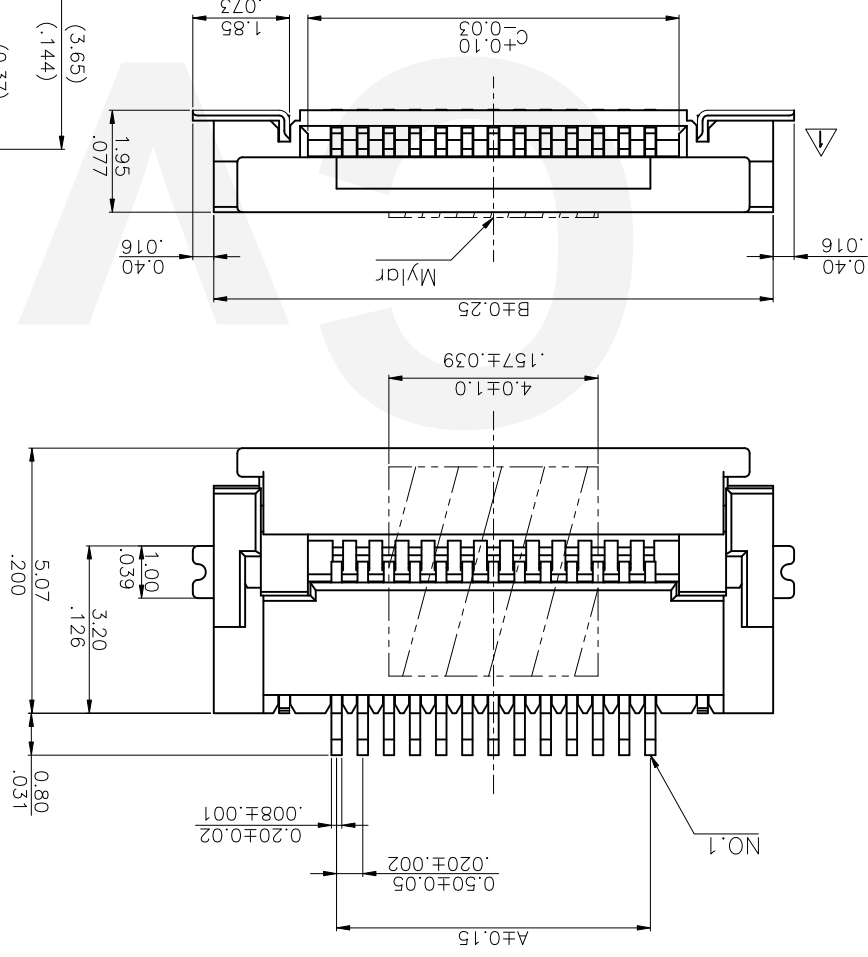
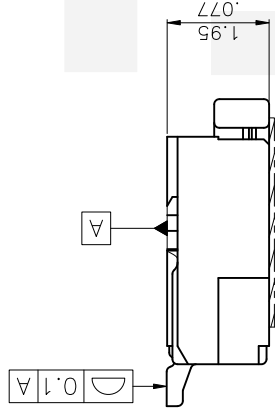
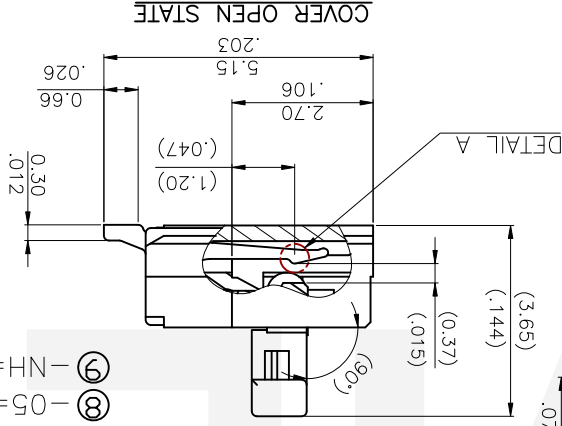
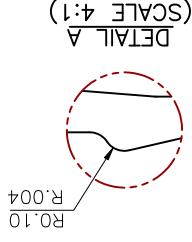
ROHS Compliant
Lead Free Process
Halogen-Free

Material :
 * Base: High temperature plastic UL 94V-0, Color Nature
 * Cover: High temperature plastic UL 94V-0, Color Black
 * Contact: Phosphor Bronze
 * Fixed tab: Brass with Matte Tin Plated over Nickel

Ordering Code
 CF31 ** 1 D 0 * * -05 -NH ① ② ③ ④ ⑤ ⑥ ⑦ ⑧ ⑨

① Series No.
 ② No. of Circuits
 ③ Plating code: 1 = 2.03μm(80μ") Min. Matte Tin
 2 = 0.02μm(0.8μ") Min. Gold flash over
 plated over 1.27μm(50μ") Min. Nickel

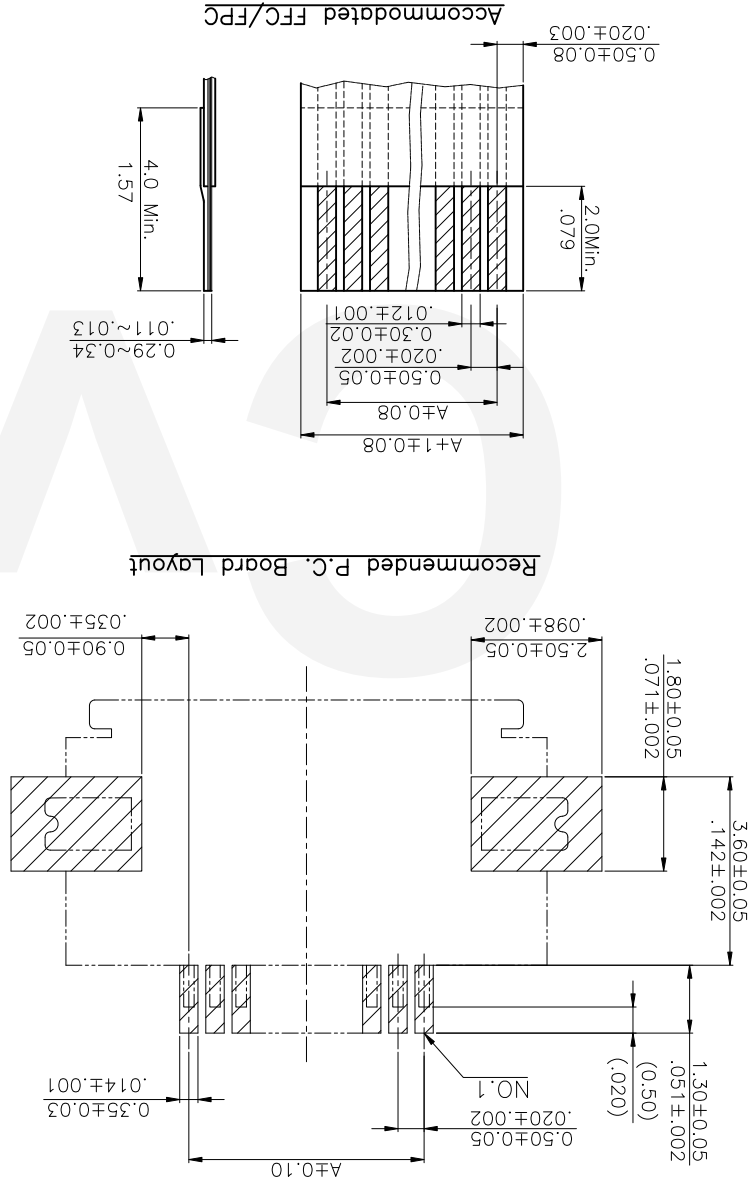
④ Contact style: D = Downside contact
 ⑤ 0 = Color Nature
 ⑥ Packing: T = Tube Packing, R = Tape & Reel
 ⑦ Option: 4 = Without Mylar, DIM.E=3.20mm
 5 = With Mylar, DIM.E=3.20mm
 ⑧ -05 = 0.5 Pitch
 ⑨ -NH = For Lead Free IR Processed and Halogen Free



SYMBOL	NAME	DATE	REVISIONS	APPROVED BY:	Eisley	6/12-20
1	Clare	7/6-12	ECR12043-5/ECN12037-5/ECR12048-5	CHECKED BY:	Eisley	6/12-20
2	Sun	6/10-20	ECRH120027/ECN120153	ENGINEER:	Sun	6/11-20
3				DRAWN BY:	Sun	6/11-20
4				DATE		
TITLE: 0.50mm(.020") ZIF FFC/FPC		MATERIAL:		FINISH:		SCALE
UNLESS OTHERWISE SPECIFIED		X ±		.XX ±		10 / 1
TOLERANCE		X ± 0.25/.010		.XX ± 0.15/.006		DRAWING NO. CF3103SC
mm / inch		X ±		.X ± .1		PART NO. CF31***D0**-05-NH
						SHEET 2 OF 3

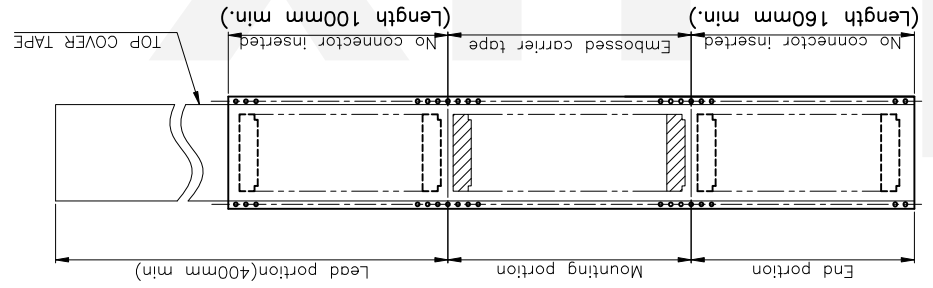
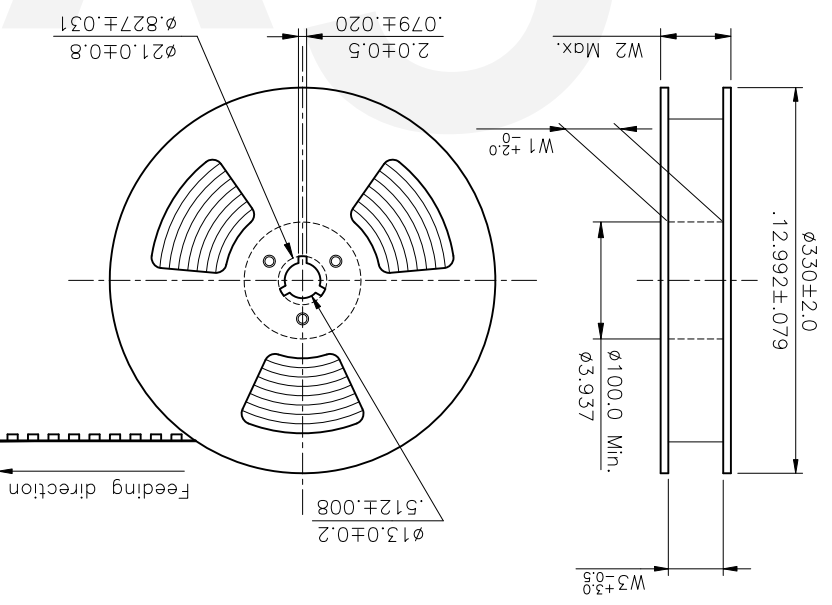
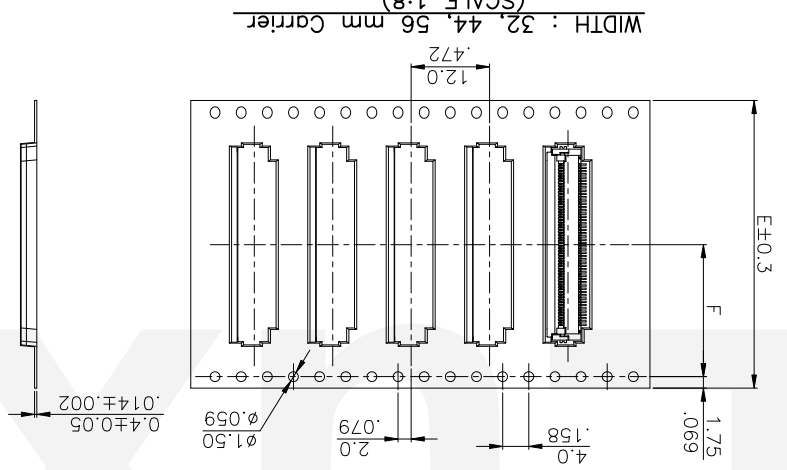
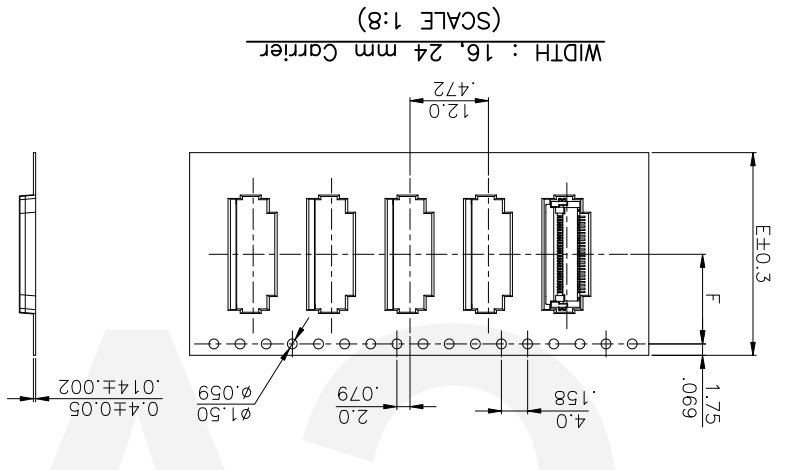
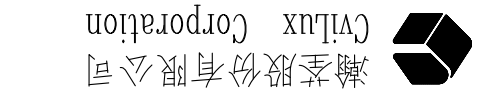
Halogen-Free
Lead Free Process
ROHS Compliant

Circuits	A	B	C	A	B	C	A	B	C
35	17.00(.669)	21.70(.854)	18.10(.713)	14.00(.551)	18.70(.736)	15.10(.594)	30.00(1.182)	34.70(1.367)	31.10(1.225)
34	16.50(.650)	21.20(.835)	17.60(.693)	13.50(.531)	18.20(.717)	14.60(.575)	29.50(1.161)	34.20(1.346)	30.60(1.205)
33	16.00(.630)	20.70(.815)	17.10(.673)	13.00(.512)	17.70(.697)	14.10(.555)	29.00(1.142)	33.70(1.327)	30.10(1.185)
32	15.50(.610)	20.20(.795)	16.60(.654)	12.50(.492)	17.20(.677)	13.60(.535)	28.50(1.122)	33.20(1.307)	29.60(1.165)
31	15.00(.591)	19.70(.776)	16.10(.634)	12.00(.472)	16.70(.657)	13.10(.516)	28.00(1.102)	32.70(1.287)	29.10(1.146)
30	14.50(.571)	19.20(.756)	15.60(.614)	11.50(.453)	16.20(.638)	12.60(.496)	27.50(1.083)	32.20(1.268)	28.60(1.126)
29	14.00(.551)	18.70(.736)	15.10(.594)	11.00(.433)	15.70(.618)	12.10(.476)	27.00(1.063)	31.70(1.248)	28.10(1.106)
28	13.50(.531)	18.20(.717)	14.60(.575)	10.50(.413)	15.20(.598)	11.60(.457)	26.50(1.043)	31.20(1.228)	27.60(1.087)
27	13.00(.512)	17.70(.697)	14.10(.555)	10.00(.394)	14.70(.579)	11.10(.437)	26.00(1.024)	30.70(1.209)	27.10(1.067)
26	12.50(.492)	17.20(.677)	13.60(.535)	9.50(.374)	14.20(.559)	10.60(.417)	25.50(1.004)	30.20(1.189)	26.60(1.047)
25	12.00(.472)	16.70(.657)	13.10(.516)	9.00(.354)	13.70(.539)	10.10(.398)	25.00(.984)	29.70(1.169)	26.10(1.028)
24	11.50(.453)	16.20(.638)	12.60(.496)	8.50(.335)	13.20(.520)	9.60(.378)	24.50(.965)	29.20(1.150)	25.60(1.008)
23	11.00(.433)	15.70(.618)	12.10(.476)	8.00(.315)	12.70(.500)	9.10(.358)	24.00(.945)	28.70(1.130)	25.10(.988)
22	10.50(.413)	15.20(.598)	11.60(.457)	7.50(.295)	12.20(.480)	8.60(.339)	23.50(.925)	28.20(1.110)	24.60(.969)
21	10.00(.394)	14.70(.579)	11.10(.437)	7.00(.276)	11.70(.461)	8.10(.319)	23.00(.906)	27.70(1.091)	24.10(.949)
20	9.50(.374)	14.20(.559)	10.60(.417)	6.50(.256)	11.20(.441)	7.60(.299)	22.50(.886)	27.20(1.071)	23.60(.929)
19	9.00(.354)	13.70(.539)	10.10(.398)	6.00(.236)	10.70(.421)	7.10(.280)	22.00(.866)	26.70(1.051)	23.10(.909)
18	8.50(.335)	13.20(.520)	9.60(.378)	5.50(.216)	10.20(.402)	6.60(.260)	21.50(.846)	26.20(1.031)	22.60(.890)
17	8.00(.315)	12.70(.500)	9.10(.358)	5.00(.197)	9.70(.382)	6.10(.240)	21.00(.827)	25.70(1.012)	22.10(.870)
16	7.50(.295)	12.20(.480)	8.60(.339)	4.50(.177)	9.20(.362)	5.60(.220)	20.50(.807)	25.20(.992)	21.60(.850)
15	7.00(.276)	11.70(.461)	8.10(.319)	4.00(.157)	8.70(.343)	5.10(.201)	20.00(.787)	24.70(.972)	21.10(.831)
14	6.50(.256)	11.20(.441)	7.60(.299)	3.50(.138)	8.20(.323)	4.60(.181)	19.50(.768)	24.20(.953)	20.60(.811)
13	6.00(.236)	10.70(.421)	7.10(.280)	3.00(.118)	7.70(.303)	4.10(.161)	19.00(.748)	23.70(.933)	20.10(.791)
12	5.50(.216)	10.20(.402)	6.60(.260)	2.50(.098)	7.20(.283)	3.60(.142)	18.50(.728)	23.20(.913)	19.60(.772)
11	5.00(.197)	9.70(.382)	6.10(.240)	2.00(.079)	6.70(.264)	3.10(.122)	18.00(.709)	22.70(.894)	19.10(.752)
10	4.50(.177)	9.20(.362)	5.60(.220)	1.50(.059)	6.20(.244)	2.60(.102)	17.50(.689)	22.20(.874)	18.60(.732)
9	4.00(.157)	8.70(.343)	5.10(.201)						
8	3.50(.138)	8.20(.323)	4.60(.181)						
7	3.00(.118)	7.70(.303)	4.10(.161)						
6	2.50(.098)	7.20(.283)	3.60(.142)						
5	2.00(.079)	6.70(.264)	3.10(.122)						
4	1.50(.059)	6.20(.244)	2.60(.102)						



ROHS Compliant

SYM	NAME	DATE	REVISIONS	APPROVED BY:	Eisley	6/12-20'	.XXX ±	FINISH:	SCALE	10 / 1	SHEET 3 OF 3	
1	Clare	7/6-12'	ECR12043-5/ECN12037-5/ECR12048-5	CHECKED BY:	Eisley	6/12-20'	.XX ± 0.15/006	MATERIAL:	DRAWING NO.	CF3103SC	PART NO.	CF31***D0**-05-NH
2	Sun	6/10-20'	ECRH120027/ECN120153	ENGINEER:	Sun	6/11-20'	X ± 0.20/008	TITLE:	Cvlux Corporation			
3				DRAWN BY:	Sun	6/11-20'	UNLESS OTHERWISE SPECIFIED	ONE-TOUCH CONNECTOR				
4				DATE			UNIT: mm / inch					



Circuits	Dimension			Packing (Reel/Carton)
	E	F	W1	
4-8	16.0(.630)	7.50(.295)	16.5(.650)	16.5(.650)
9-24	24.0(.945)	11.50(.453)	24.5(.965)	24.5(.965)
25-33	32.0(1.260)	14.20(.559)	32.5(1.280)	32.5(1.280)
34-56	44.0(1.732)	20.20(.795)	44.5(1.752)	44.5(1.752)
57-60	56.0(2.205)	26.2(1.031)	56.5(2.224)	56.5(2.224)

- Notes:
- 10 sprocket hole pitch cumulative tolerance ±0.2
 - Camber not to exceed 1mm in 100mm.
 - Material: Advantek Polystyrene.
 - Pocket position relative to sprocket hole measured as true position of pocket, not pocket hole.
 - All dimensions meet EIA-481-B requirements.
 - Quantity: 2000 PCS/REEL

X-ON Electronics

Largest Supplier of Electrical and Electronic Components

Click to view similar products for [FFC & FPC Connectors](#) category:

Click to view products by [Cvilux](#) manufacturer:

Other Similar products are found below :

[HFW11R-1STE1H1LF](#) [FH29B-100S-0.2SHW\(99\)](#) [FA5S008HP1](#) [FH29B-120S-0.2SHW\(99\)](#) [FH29B-80S-0.2SHW\(99\)](#) [FHS-16](#) [FPH-2022G](#)
[52610-1075](#) [52610-1275](#) [52610-1934](#) [XF3M\(1\)-1415-1B-R100](#) [501864-3091-TR225](#) [0525594033](#) [086210010340800](#) [086222026001800](#)
[52271-2869-CUT-TAPE](#) [62674-201121DLF](#) [62684-36210E9ALF](#) [52610-1675](#) [52746-1671-TR250](#) [10051922-2810EHLF](#) [6-520415-9](#)
[BD021-09A-A1-0350-0200-0550-LD](#) [SFV6R-1STE9HLF](#) [XF3M-2915-1B-R100](#) [1658549-1](#) [62674-221121ALF](#) [46214008010800](#)
[046298003000883](#) [151660622](#) [842-816-2630-035](#) [AYF530665TA](#) [AYF351525](#) [046296011930846+](#) [AYF352325A](#) [046254020000800+](#)
[FH19C-13S-0.5SH\(99\)](#) [FH39J-51S-0.3SHW\(99\)](#) [AYF355125A](#) [AYF530365TA](#) [FH29B-44S-0.2SHW\(99\)](#) [SFW5R-2STAE9LF](#) [AYF351125A](#)
[AYF350725A](#) [62684-502100AHLF](#) [FH39-61S-0.3SHW\(99\)](#) [AYF414035A](#) [10064555-172520HLF](#) [AYF212335A](#) [504754-2500](#)