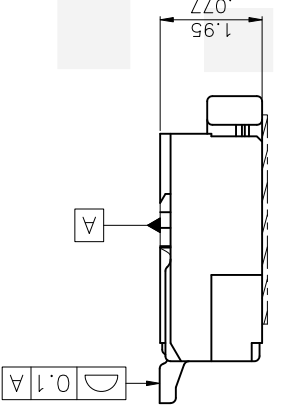
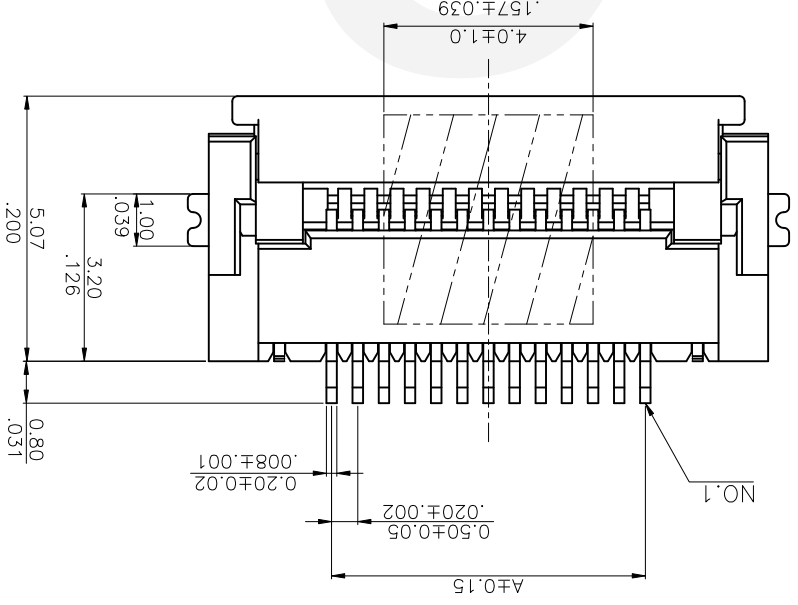
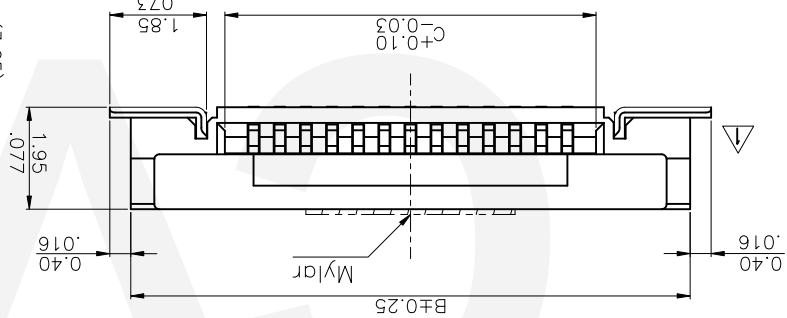
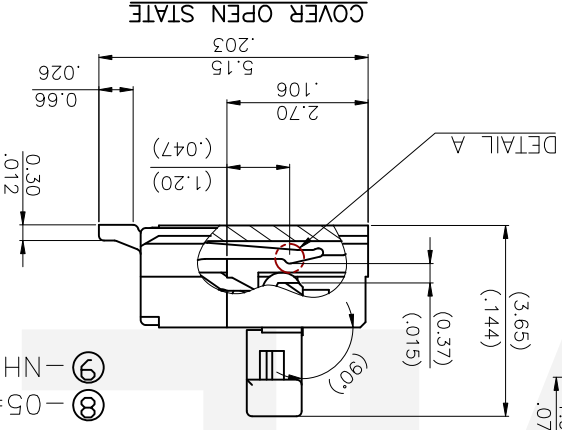
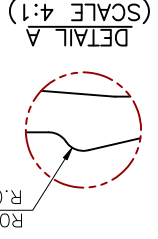


SYM	NAME	DATE	REVISIONS	APPROVED BY:	6/12-20'	XXX ±	FINISH:	SCALE	SHEET 1 OF 3
1	Clare	7/6-12'	ECR12043-5/ECN12037-5/ECR12048-5	CHECKED BY: Eisle	6/12-20'	XX ± 0.15/006	MATERIAL:	DRAWING NO. CF3103SC	PART NO. CF31***D0**-05-NH
2	Sun	6/10-20'	ECRH120027/ECN120153	ENGINEER: Sun	6/11-20'	X ± 0.25/010	TITLE: 0.50mm(.020") ZIF FFC/FPC ONE-TOUCH CONNECTOR	Cvilux Corporation 瀚基股份有限公司	
3				DRAWN BY: Sun	6/11-20'	TOLERANCE UNLESS OTHERWISE SPECIFIED			
4					DATE	UNIT: mm / inch			

ROHS Compliant
Lead Free Process
Halogen-Free



Material :
 * Base: High temperature plastic UL 94V-0, Color Nature
 * Cover: High temperature plastic UL 94V-0, Color Black
 * Contact: Phosphor Bronze
 * Fixed tab: Brass with Matte Tin Plated over Nickel

Ordering Code
 CF31 ** 1 D 0 * * -05 -NH ① ② ③ ④ ⑤ ⑥ ⑦ ⑧ ⑨

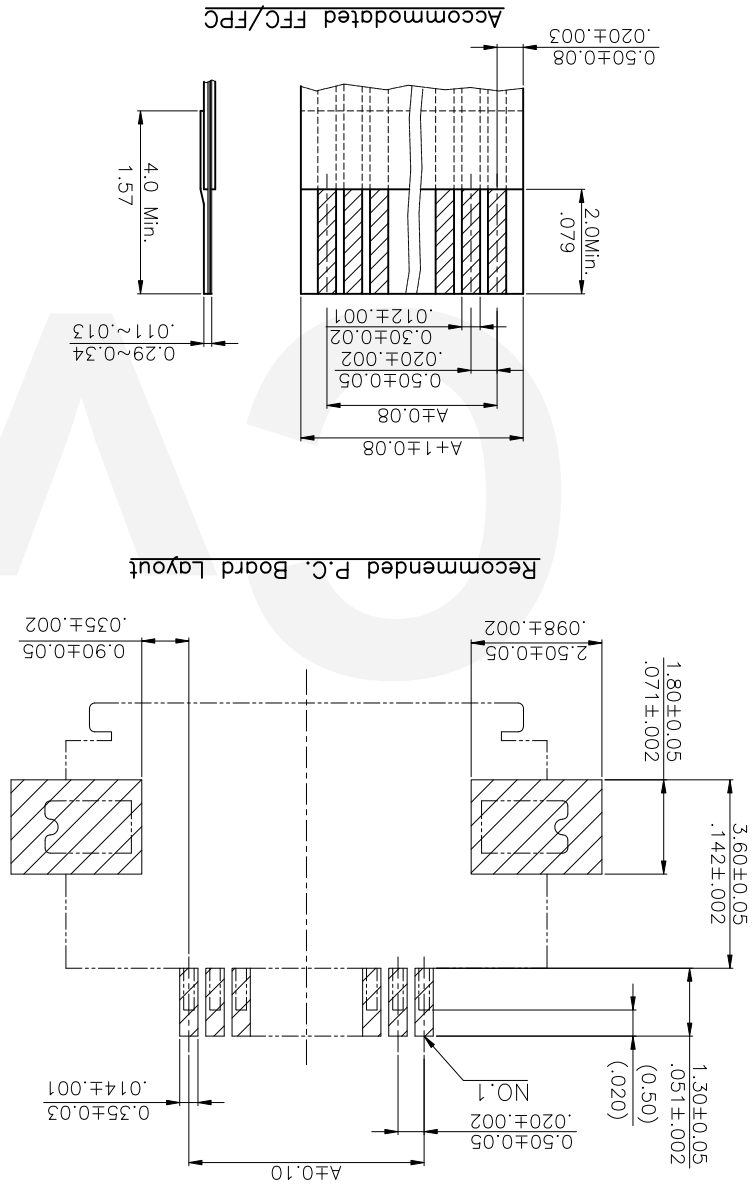
① Series No.
 ② No. of Circuits
 ③ Plating code: 1 = 2.03μm(80μ") Min. Matte Tin
 2 = 0.02μm(0.8μ") Min. Gold flash over
 plated over 1.27μm(50μ") Min. Nickel

④ Contact style: D = Downside contact
 ⑤ 0 = Color Nature
 ⑥ Packing: T = Tube Packing, R = Tape & Reel
 ⑦ Option: 4 = Without Mylar, DIM.E=3.20mm
 5 = With Mylar, DIM.E=3.20mm
 ⑧ -05 = 0.5 Pitch
 ⑨ -NH = For Lead Free IR Processed and Halogen Free

SYMBOL	NAME	DATE	REVISIONS	APPROVED BY:	Eisley	6/12-20'
1	Clare	7/6-12'	ECR12043-5/ECN12037-5/ECR12048-5	CHECKED BY:	Eisley	6/12-20'
2	Sun	6/10-20	ECRH120027/ECN120153	ENGINEER:	Sun	6/11-20'
3				DRAWN BY:	Sun	6/11-20'
4				DATE		
TITLE: 0.50mm(.020") ZIF FFC/FPC		MATERIAL:		FINISH:		SCALE
ONE-TOUCH CONNECTOR		UNLESS OTHERWISE SPECIFIED		TOLERANCE		DRAWING NO. CF3103SC
mm / inch		X ±		.XX ±		PART NO. CF31***D0**-05-NH
		X ± 0.25/.010		.XX ± 0.15/.006		SHEET 2 OF 3
		X ± .1		.XXX ±		

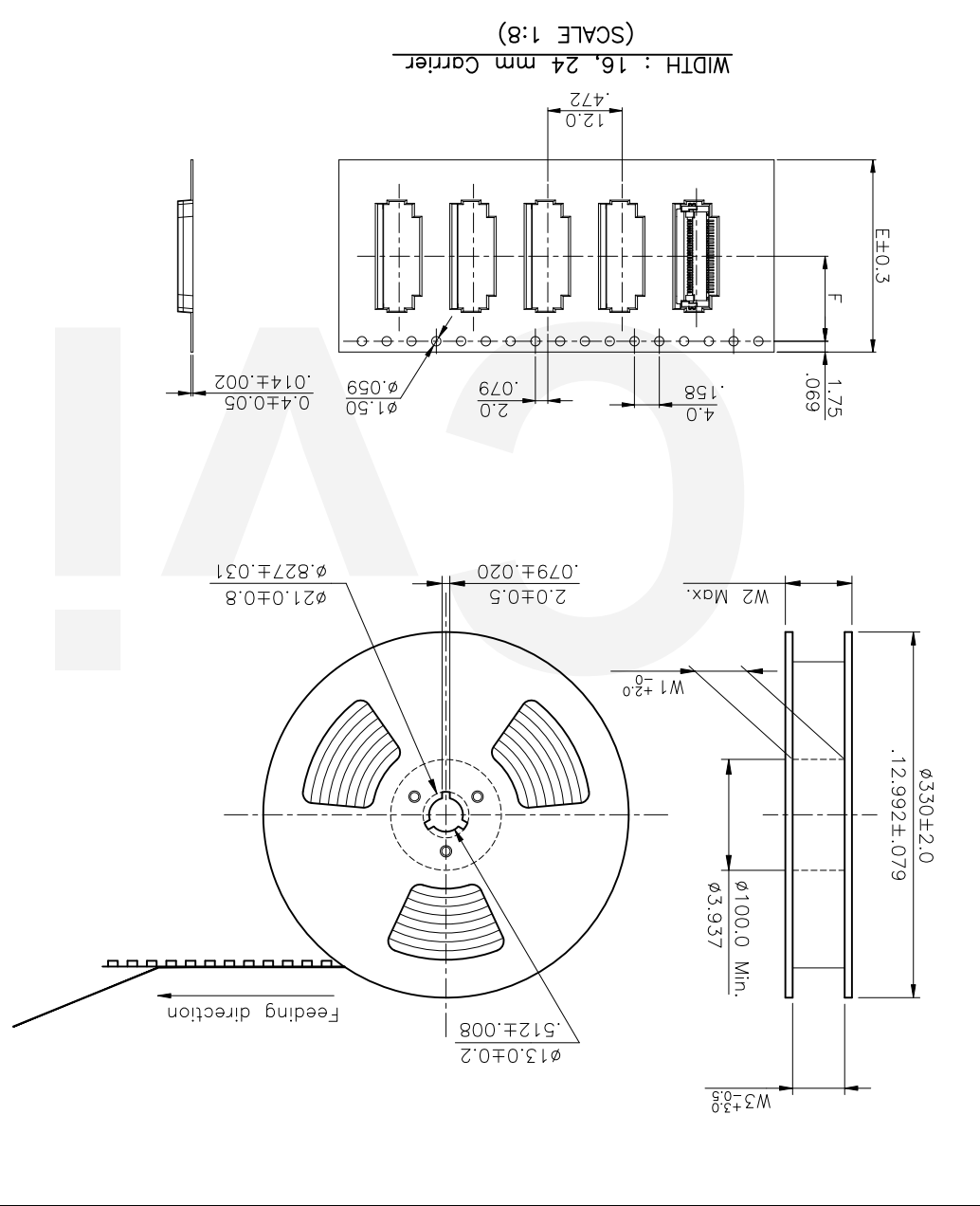
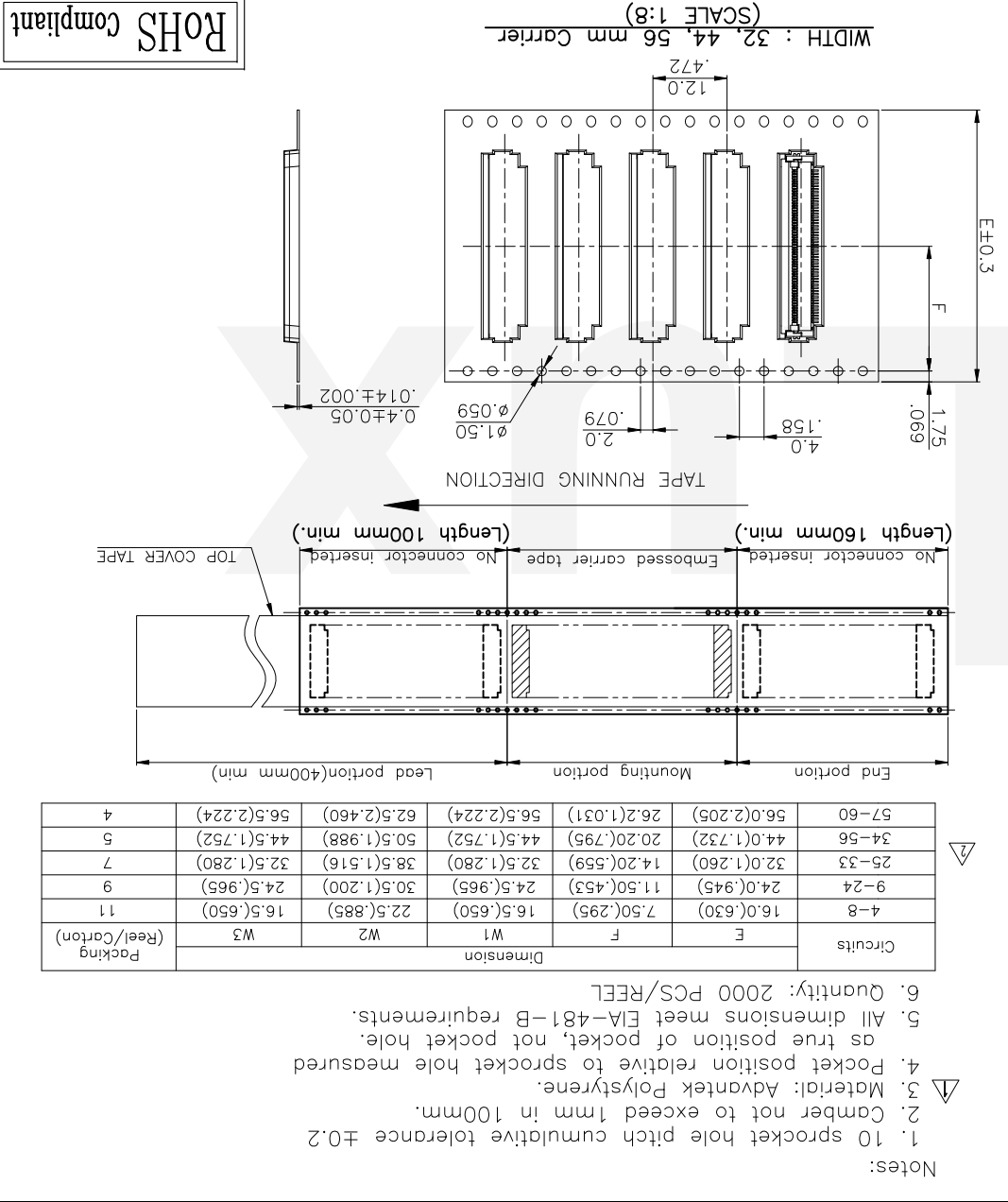
Halogen-Free
Lead Free Process
ROHS Compliant

Dimension			Circuits		
A	B	C	A	B	C
17.50(.689)	22.20(.874)	18.60(.732)	1.50(.059)	6.20(.244)	2.60(.102)
18.00(.709)	22.70(.894)	19.10(.752)	2.00(.079)	6.70(.264)	3.10(.122)
18.50(.728)	23.20(.913)	19.60(.772)	2.50(.098)	7.20(.283)	3.60(.142)
19.00(.748)	23.70(.933)	20.10(.791)	3.00(.118)	7.70(.303)	4.10(.161)
19.50(.768)	24.20(.953)	20.60(.811)	3.50(.138)	8.20(.323)	4.60(.181)
20.00(.787)	24.70(.972)	21.10(.831)	4.00(.157)	8.70(.343)	5.10(.201)
20.50(.807)	25.20(.992)	21.60(.850)	4.50(.177)	9.20(.362)	5.60(.220)
21.00(.827)	25.70(1.012)	22.10(.870)	5.00(.197)	9.70(.382)	6.10(.240)
21.50(.846)	26.20(1.031)	22.60(.890)	5.50(.216)	10.20(.402)	6.60(.260)
22.00(.866)	26.70(1.051)	23.10(.909)	6.00(.236)	10.70(.421)	7.10(.280)
22.50(.886)	27.20(1.071)	23.60(.929)	6.50(.256)	11.20(.441)	7.60(.299)
23.00(.906)	27.70(1.091)	24.10(.949)	7.00(.276)	11.70(.461)	8.10(.319)
23.50(.925)	28.20(1.110)	24.60(.969)	7.50(.295)	12.20(.480)	8.60(.339)
24.00(.945)	28.70(1.130)	25.10(.988)	8.00(.315)	12.70(.500)	9.10(.358)
24.50(.965)	29.20(1.150)	25.60(1.008)	8.50(.335)	13.20(.520)	9.60(.378)
25.00(.984)	29.70(1.169)	26.10(1.028)	9.00(.354)	13.70(.539)	10.10(.398)
25.50(1.004)	30.20(1.189)	26.60(1.047)	9.50(.374)	14.20(.559)	10.60(.417)
30.70(1.209)	35.70(1.403)	31.20(1.228)	10.00(.394)	14.70(.579)	11.10(.437)
27.10(1.067)	32.10(1.268)	28.60(1.126)	10.50(.413)	15.20(.598)	11.60(.457)
27.60(1.087)	32.60(1.287)	29.10(1.146)	11.00(.433)	15.70(.618)	12.10(.476)
28.10(1.106)	33.10(1.307)	29.60(1.165)	11.50(.453)	16.20(.638)	12.60(.496)
28.60(1.126)	33.60(1.327)	30.10(1.185)	12.00(.472)	16.70(.657)	13.10(.516)
29.10(1.146)	34.10(1.346)	30.60(1.205)	12.50(.492)	17.20(.677)	13.60(.535)
29.60(1.165)	34.60(1.367)	31.10(1.225)	13.00(.512)	17.70(.697)	14.10(.555)
30.10(1.185)	35.10(1.387)	31.60(1.245)	13.50(.531)	18.20(.717)	14.60(.575)
30.60(1.205)	35.60(1.407)	32.10(1.265)	14.00(.551)	18.70(.736)	15.10(.594)
31.10(1.225)	36.10(1.427)	32.60(1.285)	14.50(.571)	19.20(.756)	15.60(.614)
31.60(1.245)	36.60(1.447)	33.10(1.305)	15.00(.591)	19.70(.776)	16.10(.634)
32.10(1.265)	37.10(1.467)	33.60(1.325)	15.50(.610)	20.20(.795)	16.60(.654)
32.60(1.285)	37.60(1.487)	34.10(1.345)	16.00(.630)	20.70(.815)	17.10(.673)
33.10(1.305)	38.10(1.507)	34.60(1.365)	16.50(.650)	21.20(.835)	17.60(.693)
33.60(1.325)	38.60(1.527)	35.10(1.385)	17.00(.669)	21.70(.854)	18.10(.713)



ROHS Compliant

SYM	NAME	DATE	REVISIONS	APPROVED BY:	Eisley	6/12-20'	.XXX ±	FINISH:	SCALE	10 / 1	SHEET 3 OF 3	
1	Clare	7/6-12'	ECR12043-5/ECN12037-5/ECR12048-5	CHECKED BY:	Eisley	6/12-20'	.XX ± 0.15/006	MATERIAL:	DRAWING NO.	CF3103SC	PART NO.	CF31***D0**-05-NH
2	Sun	6/10-20'	ECHR120027/ECN120153	ENGINEER:	Sun	6/11-20'	X ± 0.20/008	TITLE:	Cvlux Corporation			
3				DRAWN BY:	Sun	6/11-20'	UNLESS OTHERWISE SPECIFIED	ONE-TOUCH CONNECTOR				
4						DATE	UNIT: mm / inch					



X-ON Electronics

Largest Supplier of Electrical and Electronic Components

Click to view similar products for [FFC & FPC Connectors](#) category:

Click to view products by [Cvilux](#) manufacturer:

Other Similar products are found below :

[HFW11R-1STE1H1LF](#) [FH29B-100S-0.2SHW\(99\)](#) [FA5S008HP1](#) [FH29B-120S-0.2SHW\(99\)](#) [FH29B-80S-0.2SHW\(99\)](#) [FHS-16](#) [FPH-2022G](#)
[52610-1075](#) [52610-1275](#) [52610-1934](#) [XF3M\(1\)-1415-1B-R100](#) [501864-3091-TR225](#) [0525594033](#) [086210010340800](#) [086222026001800](#)
[52271-2869-CUT-TAPE](#) [62674-201121DLF](#) [62684-36210E9ALF](#) [52610-1675](#) [52746-1671-TR250](#) [10051922-2810EHLF](#) [6-520415-9](#)
[BD021-09A-A1-0350-0200-0550-LD](#) [SFV6R-1STE9HLF](#) [XF3M-2915-1B-R100](#) [1658549-1](#) [62674-221121ALF](#) [46214008010800](#)
[046298003000883](#) [151660622](#) [842-816-2630-035](#) [AYF530665TA](#) [AYF351525](#) [046296011930846+](#) [AYF352325A](#) [046254020000800+](#)
[FH19C-13S-0.5SH\(99\)](#) [FH39J-51S-0.3SHW\(99\)](#) [AYF355125A](#) [AYF530365TA](#) [FH29B-44S-0.2SHW\(99\)](#) [SFW5R-2STAE9LF](#) [AYF351125A](#)
[AYF350725A](#) [62684-502100AHLF](#) [FH39-61S-0.3SHW\(99\)](#) [AYF414035A](#) [10064555-172520HLF](#) [AYF212335A](#) [504754-2500](#)