
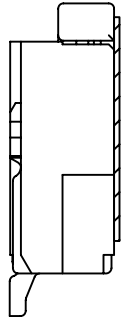
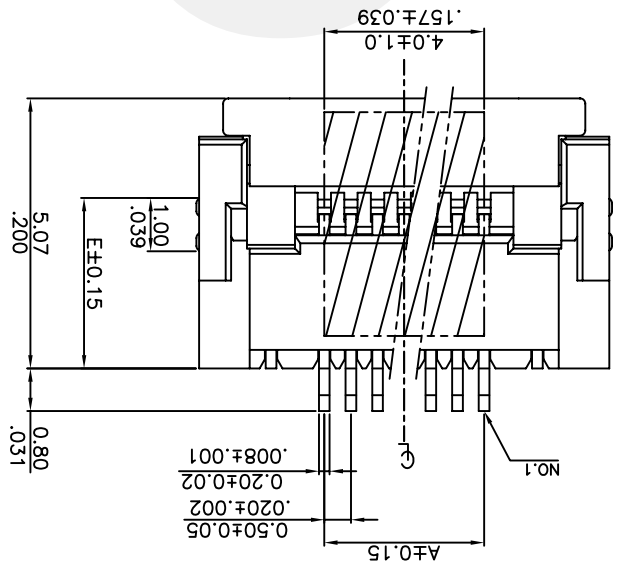
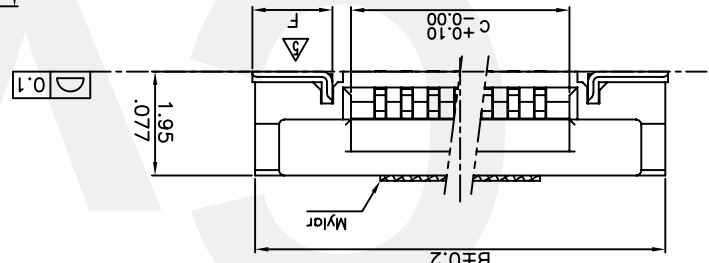
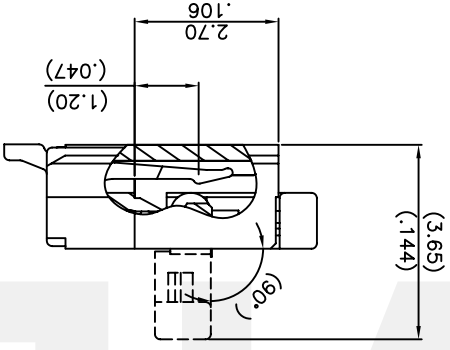


| SYM | NAME | DATE | REVISIONS | APPROVED BY: | 6/16-14 | XXX ± | FINISH: | SCALE | SHEET | OF | 3 | | |
|---|--------|---------|----------------------------------|-------------------|---------|--------------------------------------|---------|--|----------|-------------------|---|--|--|
| 2 | Claire | 3/21-12 | ECN12038-0/ECR12010-0 | CHECKED BY: Jerry | 6/16-14 | XX ± 0.15/.006 | XXX ± | CF3101SF | PART NO. | CF31***D0**-05-NH | | | |
| 3 | Claire | 4/10-12 | ECR12018-5 | ENGINEER: Francis | 6/16-14 | X ± 0.20/.008 | X ± |  Cvilux Corporation 瀚泰股份有限公司 | | | | | |
| 4 | Claire | 7/6-12 | ECR12043-5/ECN12037-5/ECR12048-5 | DRAWN BY: Claire | 6/16-14 | TOLERANCE UNLESS OTHERWISE SPECIFIED | | | | | | | |
| 5 | Claire | 6/16-14 | ECR1214014/ECN1214025 | | DATE | UNIT: mm / inch | | | | | | | |
| TITLE: 0.50mm(.020") ZIF FCC/FPC ONE-TOUCH CONNECTOR MATERIAL: | | | | | | | | | | | | | |

Halogen-Free Lead Free Process ROHS Compliant

COVER OPEN STATE



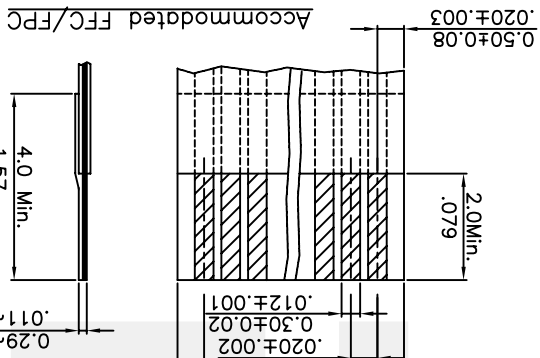
- ① Series No.
- ② No. of Circuits:
- ③ Plating code: 1 = 2.50um(100u") Min. Matte Tin plated over 1.27um(50u") Min. Nickel
- ④ Contact style: D = Downside contact
- ⑤ 0 = Color Nature
- ⑥ Packaging: R = Tape & Reel, T = Tube Packing
- ⑦ Option: 0 = Without Mylar, E=3.20mm, F=1.40
- ⑧ -05 = 0.5 Pitch
- ⑨ -NH = For Lead Free IR Processed and Halogen Free

Ordering Code
 CF31 ** 1 D 0 * * -05 -NH

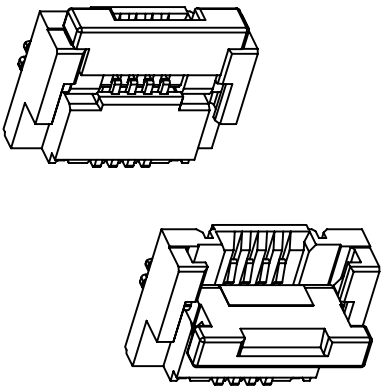
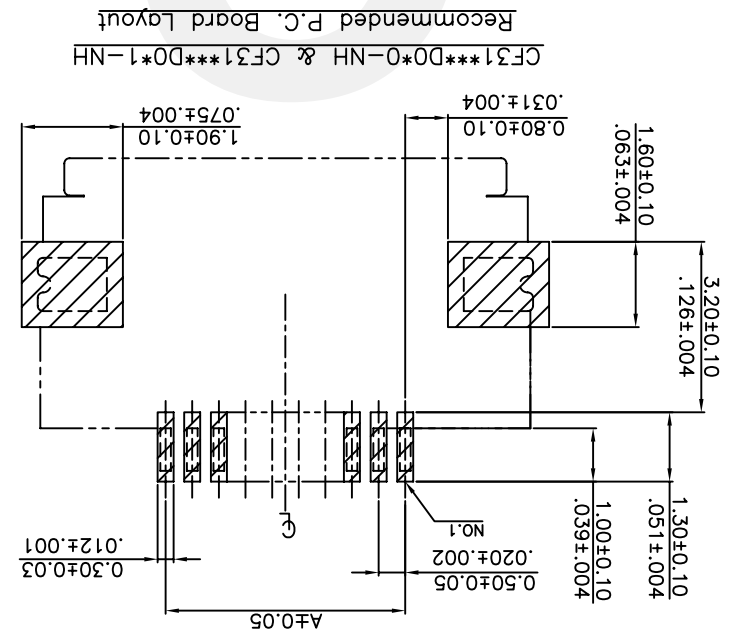
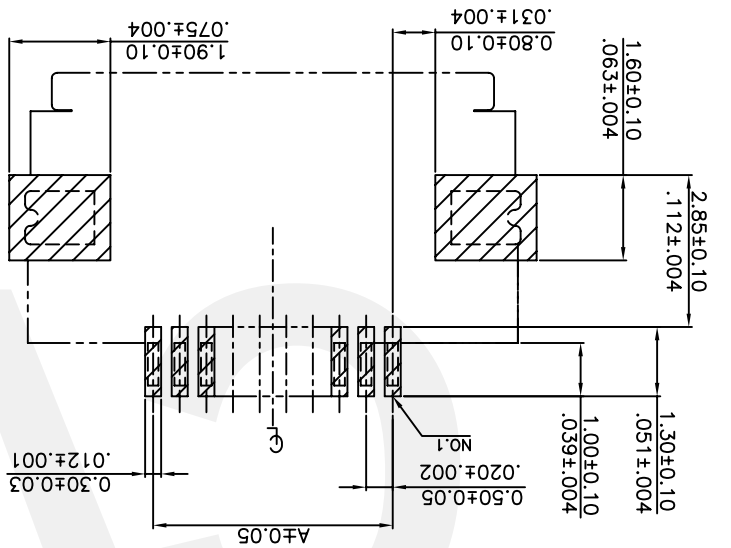
- △ Material:
- * Base: High temperature plastic UL 94V-0, Color Nature
- * Cover: High temperature plastic UL 94V-0, Color Black
- * Contact: Phosphor Bronze
- * Fixed tab: Brass with Matte Tin Plated over Nickel

| | | | | | | | | | |
|-----|--------|---------|----------------------------------|--------------------|---------|--------------------------------------|----------------------------------|----------------------|----------------------------|
| SYM | NAME | DATE | REVISIONS | APPROVED BY: Scott | 6/16-14 | XXX ± | FINISH: | SCALE | SHEET 2 OF 3 |
| 2 | Claire | 3/21-12 | ECN12038-0/ECR12010-0 | CHECKED BY: Jerry | 6/16-14 | XX ± 0.15/.006 | MATERIAL: | DRAWING NO. CF3101SF | PART NO. CF31***D0**-05-NH |
| 3 | Claire | 4/10-12 | ECR12018-5 | ENGINEER: Francis | 6/16-14 | X ± 0.20/.008 | TITLE: 0.50mm(.020") ZIF FFC/FPC | Cvlux Corporation | |
| 4 | Claire | 7/6-12 | ECR12043-5/ECN12037-5/ECR12048-5 | DRAWN BY: Claire | 6/16-14 | TOLERANCE UNLESS OTHERWISE SPECIFIED | | ONE-TOUCH CONNECTOR | |
| 5 | Claire | 6/16-14 | ECR1214014/ECN1214025 | | DATE | UNIT: mm / inch | | | |


Halogen-Free
Lead Free Process
ROHS Compliant



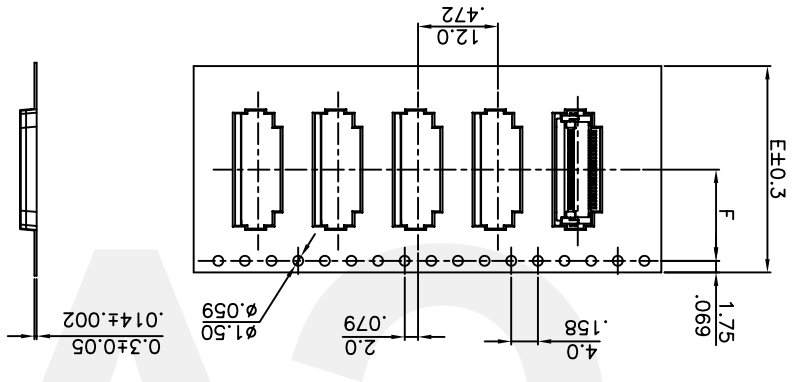
Accommodated FFC/FPC
CF31***D0*2-NH & CF31***D0*3-NH
Recommended P.C. Board Layout



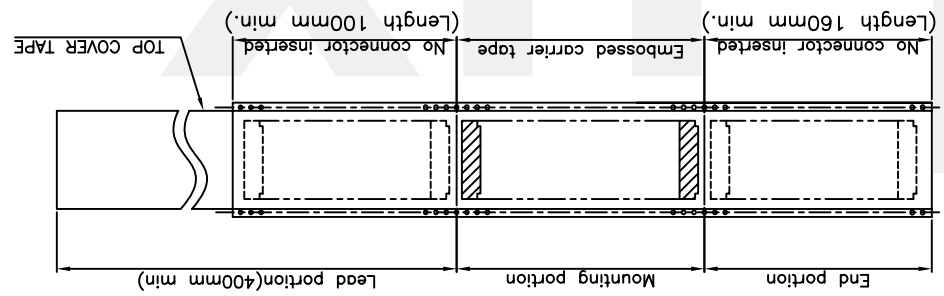
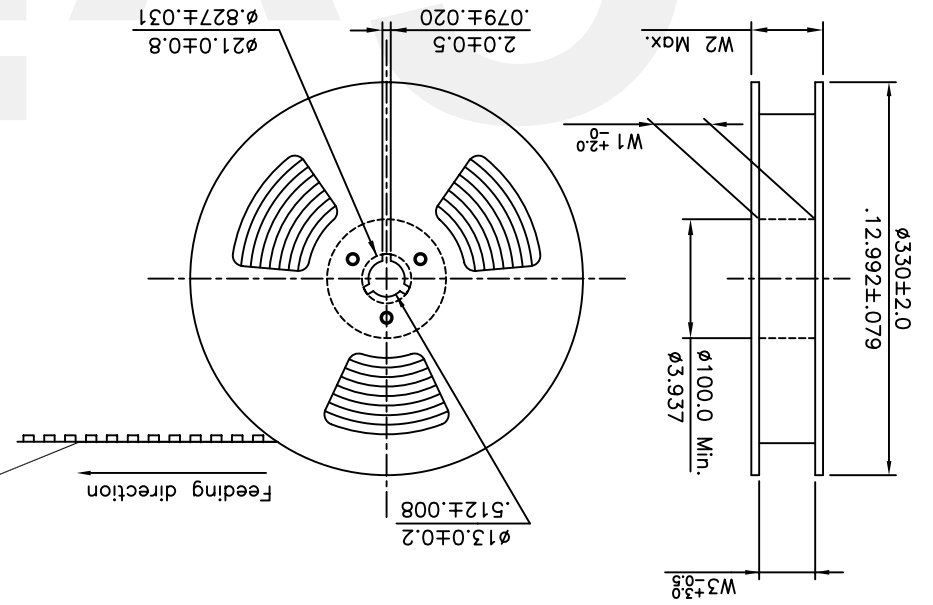
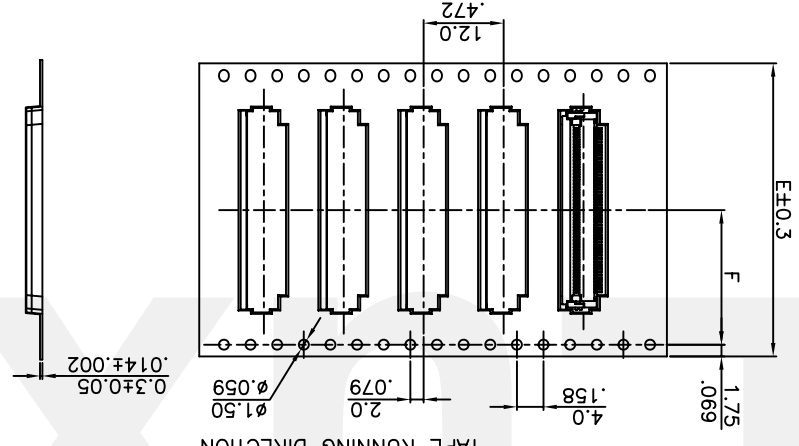
| Circuits | Dimension | | |
|----------|--------------|--------------|--------------|
| | A | B | C |
| 4 | 1.50(.059) | 6.20(.244) | 2.60(.102) |
| 5 | 2.00(.079) | 6.70(.264) | 3.10(.122) |
| 6 | 2.50(.098) | 7.20(.283) | 3.60(.142) |
| 7 | 3.00(.118) | 7.70(.303) | 4.10(.161) |
| 8 | 3.50(.138) | 8.20(.323) | 4.60(.181) |
| 9 | 4.00(.157) | 8.70(.343) | 5.10(.201) |
| 10 | 4.50(.177) | 9.20(.362) | 5.60(.220) |
| 11 | 5.00(.197) | 9.70(.382) | 6.10(.240) |
| 12 | 5.50(.216) | 10.20(.402) | 6.60(.260) |
| 13 | 6.00(.236) | 10.70(.421) | 7.10(.280) |
| 14 | 6.50(.256) | 11.20(.441) | 7.60(.299) |
| 15 | 7.00(.276) | 11.70(.461) | 8.10(.319) |
| 16 | 7.50(.295) | 12.20(.480) | 8.60(.339) |
| 17 | 8.00(.315) | 12.70(.500) | 9.10(.358) |
| 18 | 8.50(.335) | 13.20(.520) | 9.60(.378) |
| 19 | 9.00(.354) | 13.70(.539) | 10.10(.398) |
| 20 | 9.50(.374) | 14.20(.559) | 10.60(.417) |
| 21 | 10.00(.394) | 14.70(.579) | 11.10(.437) |
| 22 | 10.50(.413) | 15.20(.598) | 11.60(.457) |
| 23 | 11.00(.433) | 15.70(.618) | 12.10(.476) |
| 24 | 11.50(.453) | 16.20(.638) | 12.60(.496) |
| 25 | 12.00(.472) | 16.70(.657) | 13.10(.516) |
| 26 | 12.50(.492) | 17.20(.677) | 13.60(.535) |
| 27 | 13.00(.512) | 17.70(.697) | 14.10(.555) |
| 28 | 13.50(.531) | 18.20(.717) | 14.60(.575) |
| 29 | 14.00(.551) | 18.70(.736) | 15.10(.594) |
| 30 | 14.50(.571) | 19.20(.756) | 15.60(.614) |
| 31 | 15.00(.591) | 19.70(.776) | 16.10(.634) |
| 32 | 15.50(.610) | 20.20(.795) | 16.60(.654) |
| 33 | 16.00(.630) | 20.70(.815) | 17.10(.673) |
| 34 | 16.50(.650) | 21.20(.835) | 17.60(.693) |
| 35 | 17.00(.669) | 21.70(.854) | 18.10(.713) |
| 36 | 17.50(.689) | 22.20(.874) | 18.60(.732) |
| 37 | 18.00(.709) | 22.70(.894) | 19.10(.752) |
| 38 | 18.50(.728) | 23.20(.913) | 19.60(.772) |
| 39 | 19.00(.748) | 23.70(.933) | 20.10(.791) |
| 40 | 19.50(.768) | 24.20(.953) | 20.60(.811) |
| 41 | 20.00(.787) | 24.70(.972) | 21.10(.831) |
| 42 | 20.50(.807) | 25.20(.992) | 21.60(.850) |
| 43 | 21.00(.827) | 25.70(.1012) | 22.10(.870) |
| 44 | 21.50(.846) | 26.20(.1031) | 22.60(.890) |
| 45 | 22.00(.866) | 26.70(.1051) | 23.10(.909) |
| 46 | 22.50(.886) | 27.20(.1071) | 23.60(.929) |
| 47 | 23.00(.906) | 27.70(.1091) | 24.10(.949) |
| 48 | 23.50(.925) | 28.20(.1110) | 24.60(.969) |
| 49 | 24.00(.945) | 28.70(.1130) | 25.10(.988) |
| 50 | 24.50(.965) | 29.20(.1150) | 25.60(.1008) |
| 51 | 25.00(.984) | 29.70(.1169) | 26.10(.1028) |
| 52 | 25.50(.1004) | 30.20(.1189) | 26.60(.1047) |
| 53 | 26.00(.1024) | 30.70(.1209) | 27.10(.1067) |
| 54 | 26.50(.1043) | 31.20(.1228) | 27.60(.1087) |
| 55 | 27.00(.1063) | 31.70(.1248) | 28.10(.1106) |
| 56 | 27.50(.1083) | 32.20(.1268) | 28.60(.1126) |
| 57 | 28.00(.1102) | 32.70(.1287) | 29.10(.1146) |
| 58 | 28.50(.1122) | 33.20(.1307) | 29.60(.1165) |
| 59 | 29.00(.1142) | 33.70(.1327) | 30.10(.1185) |
| 60 | 29.50(.1161) | 34.20(.1346) | 30.60(.1205) |
| 61 | 30.00(.1182) | 34.70(.1367) | 31.10(.1225) |

| | | | | | | | | | | | |
|-----|--------|----------|----------------------------------|--------------------|----------|--------------------------------------|----------------------------------|--|----------|--------------|-------------------|
| SYM | NAME | DATE | REVISIONS | APPROVED BY: Scott | 6/16-14" | XXX ± | FINISH: | SCALE | 10 / 1 | SHEET 3 OF 3 | |
| 2 | Claire | 3/21-12' | ECN12038-0/ECR12010-0 | CHECKED BY: Jerry | 6/16-14" | XX ± 0.10/.004 | MATERIAL: | DRAWING NO. | CF3101SF | PART NO. | CF31***D0**-05-NH |
| 3 | Claire | 4/10-12' | ECR12018-5 | ENGINEER: Francis | 6/16-14" | X ± 0.15/.006 | TITLE: 0.50mm(.020") ZIF FCC/FPC |  Cvilux Corporation 瀚泰股份有限公司 | | | |
| 4 | Claire | 7/6-12' | ECR12043-5/ECN12037-5/ECR12048-5 | DRAWN BY: Claire | 6/16-14" | TOLERANCE UNLESS OTHERWISE SPECIFIED | | ONE-TOUCH CONNECTOR | | | |
| 5 | Claire | 6/16-14' | ECR1214014/ECN1214025 | | DATE | UNIT: mm / inch | | | | | |

WIDTH : 16, 24 mm Carrier (SCALE 1:8)



WIDTH : 32, 44, 56 mm Carrier (SCALE 1:8)



| Circuits | Dimension | | | Dimension | | |
|----------|-------------|-------------|-------------|-------------|-------------|-----------------------|
| | E | F | W1 | W2 | W3 | Packing (Reel/Carton) |
| 4-8 | 16.0(.630) | 7.50(.295) | 16.5(.650) | 22.5(.885) | 16.5(.650) | 11 |
| 9-24 | 24.0(.945) | 11.50(.453) | 24.5(.965) | 30.5(1.200) | 24.5(.965) | 9 |
| 25-32 | 32.0(1.260) | 14.20(.559) | 32.5(1.280) | 38.5(1.516) | 32.5(1.280) | 7 |
| 33-56 | 44.0(1.732) | 20.20(.795) | 44.5(1.752) | 50.5(1.988) | 44.5(1.752) | 5 |
| 57-61 | 56.0(2.205) | 26.2(1.031) | 56.5(2.224) | 62.5(2.460) | 56.5(2.224) | 4 |

- Notes:
1. 10 sprocket hole pitch cumulative tolerance ±0.2
 2. Camber not to exceed 1mm in 100mm.
 3. Material: Advantek Polystyrene.
 4. Pocket position relative to sprocket hole measured as true position of pocket, not pocket hole.
 5. All dimensions meet EIA-481-B requirements.
 6. Quantity: 2000 PCS/REEL

ROHS Compliant

X-ON Electronics

Largest Supplier of Electrical and Electronic Components

Click to view similar products for [FFC & FPC Connectors](#) category:

Click to view products by [Cvilux](#) manufacturer:

Other Similar products are found below :

[HFW11R-1STE1H1LF](#) [FA5B016HP1](#) [FH29B-100S-0.2SHW\(99\)](#) [FA5S008HP1](#) [FH29B-120S-0.2SHW\(99\)](#) [FH29B-80S-0.2SHW\(99\)](#) [FHS-16](#) [FPH-2022G](#) [52610-1075](#) [52610-1275](#) [52610-1934](#) [XF3M\(1\)-1415-1B-R100](#) [501951-3200](#) [0525594033](#) [086210010340800](#)
[086222026001800](#) [62674-201121DLF](#) [62684-36210E9ALF](#) [52610-1675](#) [52746-1671-TR250](#) [10051922-2810EHLF](#) [6-520415-9](#) [BD021-09A-A1-0350-0200-0550-LD](#) [SFV6R-1STE9HLF](#) [XF3M-2915-1B-R100](#) [1658549-1](#) [62674-221121ALF](#) [46214008010800](#) [046298003000883](#)
[151660622](#) [842-816-2630-035](#) [AYF331135A](#) [AYF530665TA](#) [AYF351525](#) [046296011930846+](#) [AYF352325A](#) [046254020000800+](#) [FH19C-13S-0.5SH\(99\)](#) [FH39J-51S-0.3SHW\(99\)](#) [AYF355125A](#) [AYF530365TA](#) [FH29B-44S-0.2SHW\(99\)](#) [SFW5R-2STAE9LF](#) [AYF351125A](#)
[AYF350725A](#) [62684-502100AHLF](#) [FH39-61S-0.3SHW\(99\)](#) [AYF414035A](#) [10064555-172520HLF](#) [AYF212335A](#)