
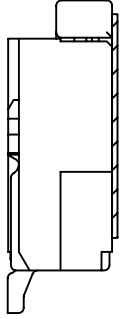
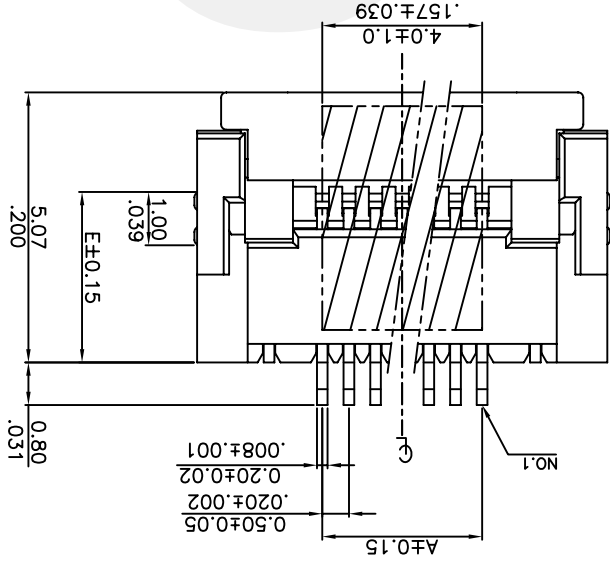
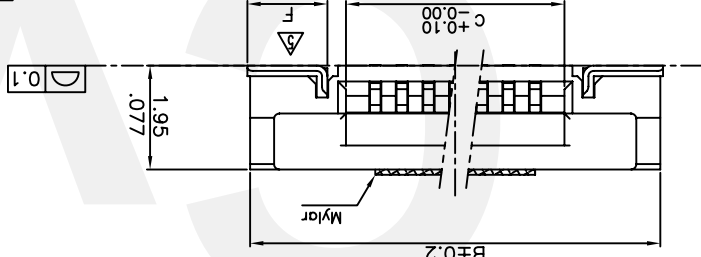
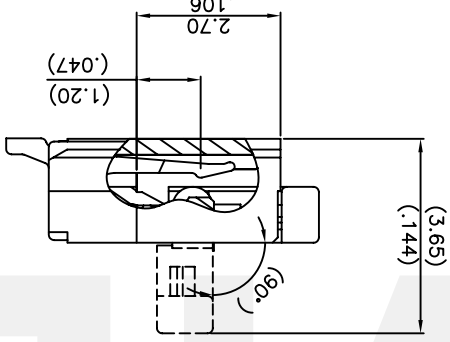


SYM	NAME	DATE	REVISIONS	APPROVED BY:	6/16-14	XXX ±	FINISH:	SCALE	SHEET	OF
2	Claire	3/21-12	ECN12038-0/ECR12010-0	CHECKED BY: Jerry	6/16-14	XX ± 0.15/.006		CF3101SF	PART NO.	CF31***D0**-05-NH
3	Claire	4/10-12	ECR12018-5	ENGINEER: Francis	6/16-14	X ± 0.20/.008	MATERIAL:	10 / 1	1	3
4	Claire	7/6-12	ECR12043-5/ECN12037-5/ECR12048-5	DRAWN BY: Claire	6/16-14	TOLERANCE UNLESS OTHERWISE SPECIFIED		 Cvilux Corporation 瀚泰股份有限公司		
5	Claire	6/16-14	ECR1214014/ECN1214025		DATE	UNIT: mm / inch	TITLE: 0.50mm(.020") ZIF FCC/FPC ONE-TOUCH CONNECTOR			

Halogen-Free    Lead Free Process    ROHS Compliant

COVER OPEN STATE



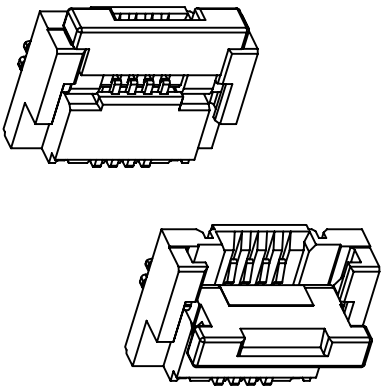
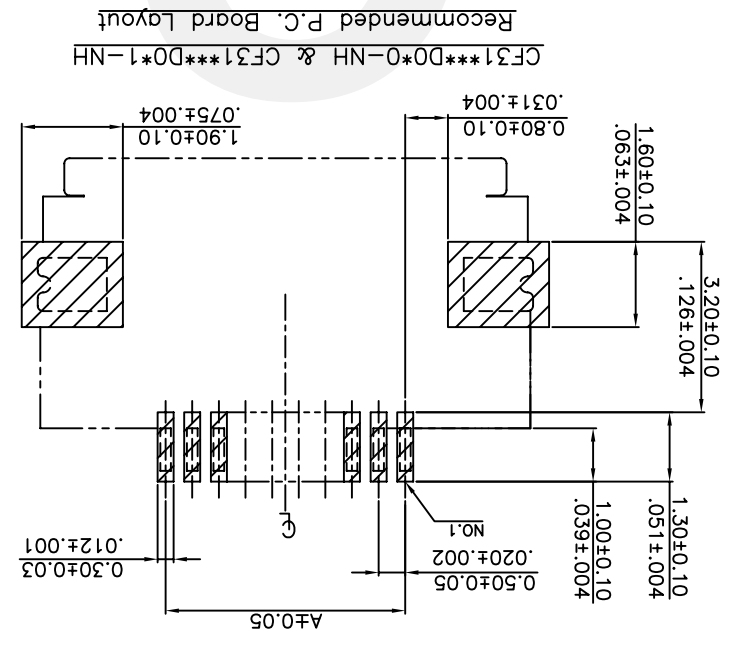
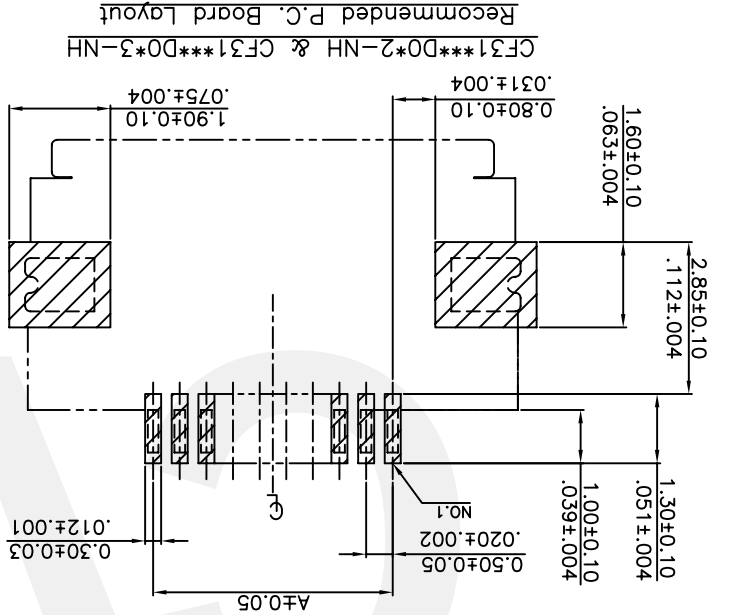
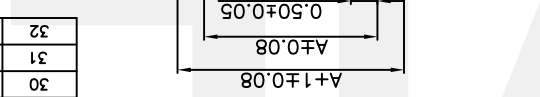
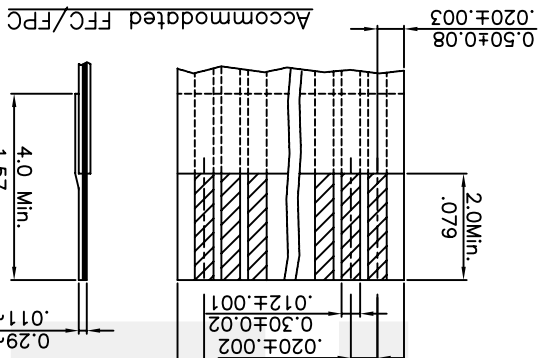
- Ordering Code  
CF31 \*\* 1 D 0 \* \* -05 -NH
- ① Series No.
  - ② No. of Circuits:
  - ③ Plating code: 1 = 2.50um(100u") Min. Matte Tin plated over 1.27um(50u") Min. Nickel  
2 = Gold flash over 1.27um(50u") Min. Nickel
  - ④ Contact style: D = Downside contact
  - ⑤ 0 = Color Nature
  - ⑥ Packing: R = Tape & Reel, T = Tube Packing
  - ⑦ Option: 0 = Without Mylar, E=3.20mm, F=1.40  
1 = With Mylar, E=3.20mm, F=1.40  
2 = Without Mylar, E=2.85mm, F=1.50  
3 = With Mylar, E=2.85mm, F=1.50
  - ⑧ -05 = 0.5 Pitch
  - ⑨ -NH = For Lead Free IR Processed and Halogen Free

▽▽▽


- Material:
- \* Base: High temperature plastic UL 94V-0, Color Nature
  - \* Cover: High temperature plastic UL 94V-0, Color Black
  - \* Contact: Phosphor Bronze
  - \* Fixed tab: Brass with Matte Tin Plated over Nickel

SYMBOL	NAME	DATE	REVISIONS	APPROVED BY: Scott	6/16-14	XXX ±	FINISH:	SCALE	SHEET 2 OF 3
2	Claire	3/21-12	ECN12038-0/ECR12010-0	CHECKED BY: Jerry	6/16-14	XX ± 0.15/006	MATERIAL:	DRAWING NO. CF3101SF	PART NO. CF31***D0*-05-NH
3	Claire	4/10-12	ECR12018-5	ENGINEER: Francis	6/16-14	X ± 0.20/008	TITLE: 0.50mm(.020") ZIF FFC/FPC	Cvlux Corporation	
4	Claire	7/6-12	ECR12043-5/ECN12037-5/ECR12048-5	DRAWN BY: Claire	6/16-14	UNLESS OTHERWISE SPECIFIED	ONE-TOUCH CONNECTOR	瀚泰股份有限公司	
5	Claire	6/16-14	ECR1214014/ECN1214025		DATE	TOLERANCE			
					UNIT: mm / inch				

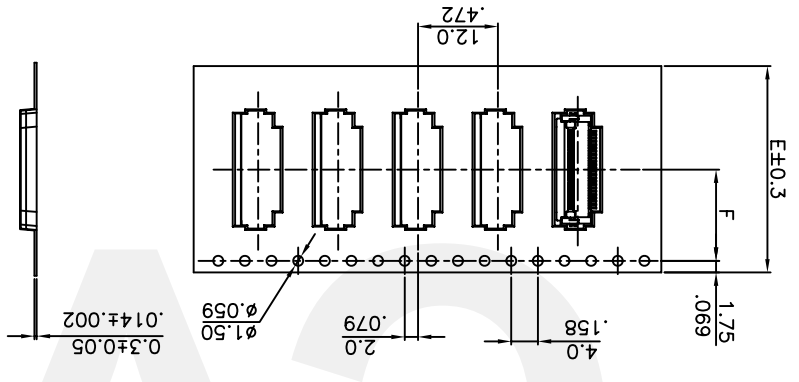
Halogen-Free  
Lead Free Process  
ROHS Compliant



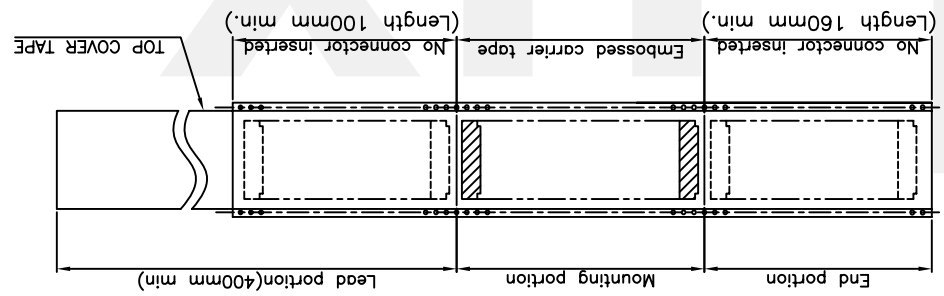
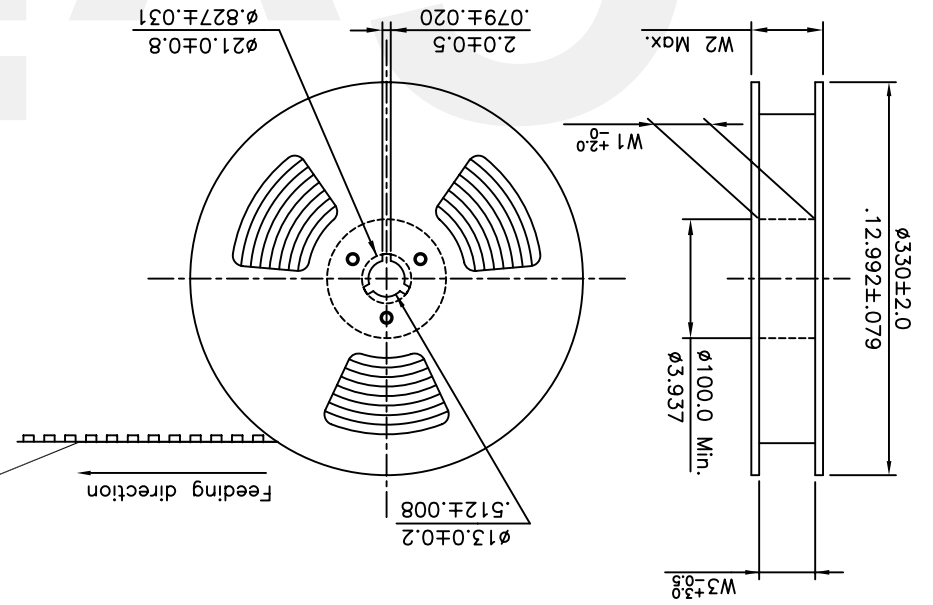
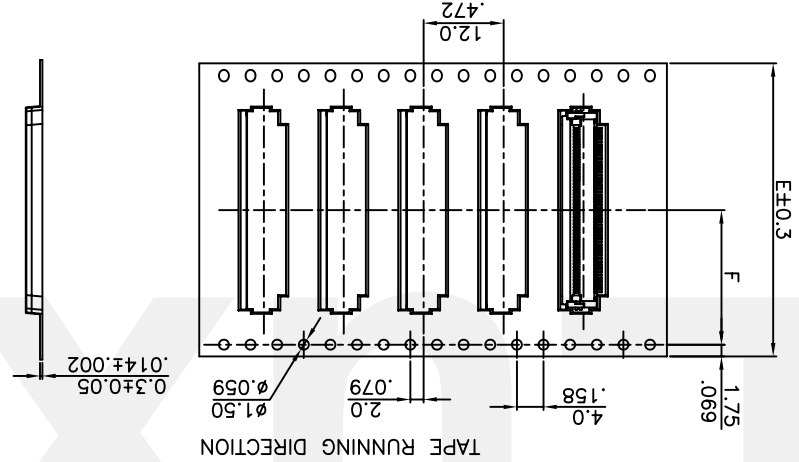
Circuits	Dimension		
	A	B	C
4	1.50(.059)	6.20(.244)	2.60(.102)
5	2.00(.079)	6.70(.264)	3.10(.122)
6	2.50(.098)	7.20(.283)	3.60(.142)
7	3.00(.118)	7.70(.303)	4.10(.161)
8	3.50(.138)	8.20(.323)	4.60(.181)
9	4.00(.157)	8.70(.343)	5.10(.201)
10	4.50(.177)	9.20(.362)	5.60(.220)
11	5.00(.197)	9.70(.382)	6.10(.240)
12	5.50(.216)	10.20(.402)	6.60(.260)
13	6.00(.236)	10.70(.421)	7.10(.280)
14	6.50(.256)	11.20(.441)	7.60(.299)
15	7.00(.276)	11.70(.461)	8.10(.319)
16	7.50(.295)	12.20(.480)	8.60(.339)
17	8.00(.315)	12.70(.500)	9.10(.358)
18	8.50(.335)	13.20(.520)	9.60(.378)
19	9.00(.354)	13.70(.539)	10.10(.398)
20	9.50(.374)	14.20(.559)	10.60(.417)
21	10.00(.394)	14.70(.579)	11.10(.437)
22	10.50(.413)	15.20(.598)	11.60(.457)
23	11.00(.433)	15.70(.618)	12.10(.476)
24	11.50(.453)	16.20(.638)	12.60(.496)
25	12.00(.472)	16.70(.657)	13.10(.516)
26	12.50(.492)	17.20(.677)	13.60(.535)
27	13.00(.512)	17.70(.697)	14.10(.555)
28	13.50(.531)	18.20(.717)	14.60(.575)
29	14.00(.551)	18.70(.736)	15.10(.594)
30	14.50(.571)	19.20(.756)	15.60(.614)
31	15.00(.591)	19.70(.776)	16.10(.634)
32	15.50(.610)	20.20(.795)	16.60(.654)
33	16.00(.630)	20.70(.815)	17.10(.673)
34	16.50(.650)	21.20(.835)	17.60(.693)
35	17.00(.669)	21.70(.854)	18.10(.713)
36	17.50(.689)	22.20(.874)	18.60(.732)
37	18.00(.709)	22.70(.894)	19.10(.752)
38	18.50(.728)	23.20(.913)	19.60(.772)
39	19.00(.748)	23.70(.933)	20.10(.791)
40	19.50(.768)	24.20(.953)	20.60(.811)
41	20.00(.787)	24.70(.972)	21.10(.831)
42	20.50(.807)	25.20(.992)	21.60(.850)
43	21.00(.827)	25.70(.1012)	22.10(.870)
44	21.50(.846)	26.20(.1031)	22.60(.890)
45	22.00(.866)	26.70(.1051)	23.10(.909)
46	22.50(.886)	27.20(.1071)	23.60(.929)
47	23.00(.906)	27.70(.1091)	24.10(.949)
48	23.50(.925)	28.20(.1110)	24.60(.969)
49	24.00(.945)	28.70(.1130)	25.10(.988)
50	24.50(.965)	29.20(.1150)	25.60(.1008)
51	25.00(.984)	29.70(.1169)	26.10(.1028)
52	25.50(.1004)	30.20(.1189)	26.60(.1047)
53	26.00(.1024)	30.70(.1209)	27.10(.1067)
54	26.50(.1043)	31.20(.1228)	27.60(.1087)
55	27.00(.1063)	31.70(.1248)	28.10(.1106)
56	27.50(.1083)	32.20(.1268)	28.60(.1126)
57	28.00(.1102)	32.70(.1287)	29.10(.1146)
58	28.50(.1122)	33.20(.1307)	29.60(.1165)
59	29.00(.1142)	33.70(.1327)	30.10(.1185)
60	29.50(.1161)	34.20(.1346)	30.60(.1205)
61	30.00(.1182)	34.70(.1367)	31.10(.1225)

SYM	NAME	DATE	REVISIONS	APPROVED BY: Scott	6/16-14"	XXX ±	FINISH:	SCALE	10 / 1	SHEET 3 OF 3	
2	Claire	3/21-12'	ECN12038-0/ECR12010-0	CHECKED BY: Jerry	6/16-14"	XX ± 0.10/.004	MATERIAL:	DRAWING NO.	CF3101SF	PART NO.	CF31***D0**-05-NH
3	Claire	4/10-12'	ECR12018-5	ENGINEER: Francis	6/16-14"	X ± 0.15/.006	TITLE: 0.50mm(.020") ZIF FCC/FPC	 Cvilux Corporation 瀚泰股份有限公司			
4	Claire	7/6-12'	ECR12043-5/ECN12037-5/ECR12048-5	DRAWN BY: Claire	6/16-14"	TOLERANCE UNLESS OTHERWISE SPECIFIED		ONE-TOUCH CONNECTOR			
5	Claire	6/16-14'	ECR1214014/ECN1214025		DATE	UNIT: mm / inch					

WIDTH : 16, 24 mm Carrier (SCALE 1:8)



WIDTH : 32, 44, 56 mm Carrier (SCALE 1:8)



Circuits	Dimension			Dimension		
	E	F	W1	W2	W3	Packing (Reel/Carton)
4-8	16.0(.630)	7.50(.295)	16.5(.650)	22.5(.885)	16.5(.650)	11
9-24	24.0(.945)	11.50(.453)	24.5(.965)	30.5(1.200)	24.5(.965)	9
25-32	32.0(1.260)	14.20(.559)	32.5(1.280)	38.5(1.516)	32.5(1.280)	7
33-56	44.0(1.732)	20.20(.795)	44.5(1.752)	50.5(1.988)	44.5(1.752)	5
57-61	56.0(2.205)	26.2(1.031)	56.5(2.224)	62.5(2.460)	56.5(2.224)	4

- Notes:
1. 10 sprocket hole pitch cumulative tolerance ±0.2
  2. Camber not to exceed 1mm in 100mm.
  3. Material: Advantek Polystyrene.
  4. Pocket position relative to sprocket hole measured as true position of pocket, not pocket hole.
  5. All dimensions meet EIA-481-B requirements.
  6. Quantity: 2000 PCS/REEL

ROHS Compliant

## X-ON Electronics

Largest Supplier of Electrical and Electronic Components

*Click to view similar products for [FFC & FPC Connectors](#) category:*

*Click to view products by [Cvilux](#) manufacturer:*

Other Similar products are found below :

[HFW11R-1STE1H1LF](#) [FA5B016HP1](#) [FH29B-100S-0.2SHW\(99\)](#) [FA5S008HP1](#) [FH29B-120S-0.2SHW\(99\)](#) [FH29B-80S-0.2SHW\(99\)](#) [FHS-16](#) [FPH-2022G](#) [52610-1075](#) [52610-1275](#) [52610-1934](#) [XF3M\(1\)-1415-1B-R100](#) [501951-3200](#) [0525594033](#) [086210010340800](#)  
[086222026001800](#) [62674-201121DLF](#) [62684-36210E9ALF](#) [52610-1675](#) [52746-1671-TR250](#) [10051922-2810EHLF](#) [6-520415-9](#) [BD021-09A-A1-0350-0200-0550-LD](#) [SFV6R-1STE9HLF](#) [XF3M-2915-1B-R100](#) [1658549-1](#) [62674-221121ALF](#) [46214008010800](#) [046298003000883](#)  
[151660622](#) [842-816-2630-035](#) [AYF331135A](#) [AYF530665TA](#) [AYF351525](#) [046296011930846+](#) [AYF352325A](#) [046254020000800+](#) [FH19C-13S-0.5SH\(99\)](#) [FH39J-51S-0.3SHW\(99\)](#) [AYF355125A](#) [AYF530365TA](#) [FH29B-44S-0.2SHW\(99\)](#) [SFW5R-2STAE9LF](#) [AYF351125A](#)  
[AYF350725A](#) [62684-502100AHLF](#) [FH39-61S-0.3SHW\(99\)](#) [AYF414035A](#) [10064555-172520HLF](#) [AYF212335A](#)