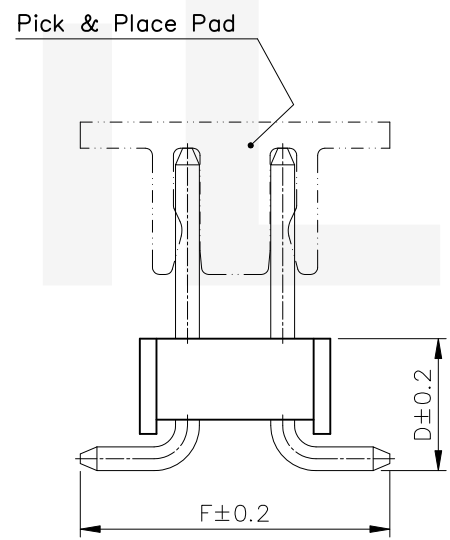
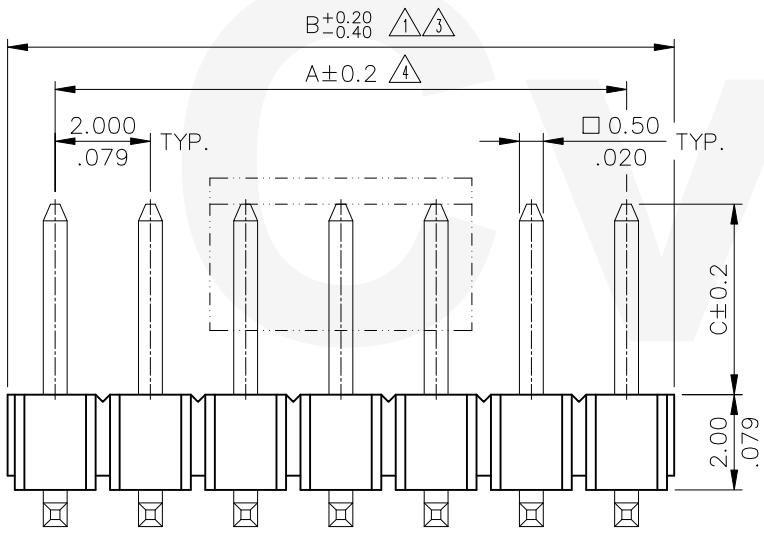


Recommended P.C. Board Layout




DIM. A = 2.00 X No. of Spaces
 DIM. B = DIM. A + 2.00
 * Available in 4 through 80 Citsuits

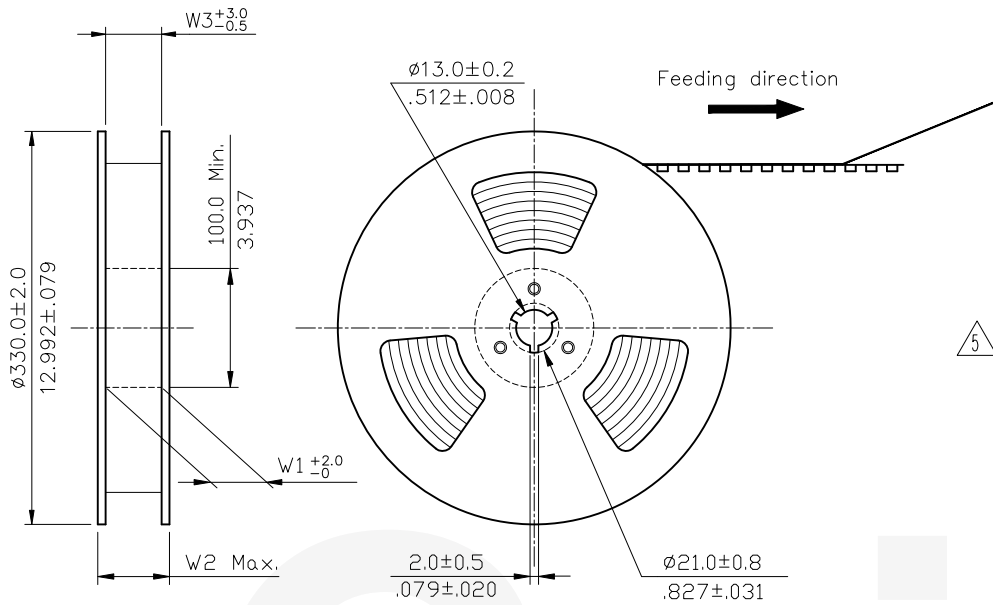
Notes:
 * Material:
 Insulator: Nylon 6T With 30% GF.
 UL 94V-0 Color Black
 Square Pin: Brass
 Pick & Place Pad:
 Nylon 6T UL 94V-0, Color Black
 △ * Pin overall Length 30.0mm Max.

Ordering Code:
 CH71 * * M 1 ** - 0 P
 ① ② ③ ④ ⑤ ⑥ ⑦ ⑧

- ① Series No.
- ② No. of Contact: 04 to 80
- ③ Plating code:
 1=3.05 μm(120 μ") Min. Tin
 over 0.79 μm(30 μ") Nickel
 2=Gold Flash plated over
 1.27 μm(50 μ") Nickel
 3=0.38 μm(15 μ") Gold plated
 over 1.27 μm(50 μ") Nickel
 4=0.76 μm(30 μ") Gold plated
 over 1.27 μm(50 μ") Nickel
- ④ Tail & Mounting Style:
 M=Straight SMT Type
- ⑤ Insulator Material & Color:
 1=Nylon 6T , Color Black
- ⑥ Option Code:
 See Table PDF. File No. CH7117T
- ⑦ Pin Size: 0=Original design
- ⑧ 0=Without Pick & Place Pad
 (Tube packaged)
 P=With Pick & Place Pad
 (Tape & Reel packing)

RoHS Compliant

△5	Yushu	7/09/19'	ECRB119043/ECNT119173		DATE	UNIT: mm / inch	TITLE: 2.00mm(.079") DUAL ROW SURFACE BOARD MOUNT PIN HEADER	 瀚荃股份有限公司 CviLux Corporation
△4	Sun	4/12/19'	ECNT119093	DRAWN BY: Yushu	7/09-19'	TOLERANCE UNLESS OTHERWISE SPECIFIED	MATERIAL:	
△3	Aaron	10/21-16'	ECNT116250/ECRB116072	ENGINEER: Sun	7/10-19'	.X ± 0.25/.010 X' ± 1'	FINISH:	
△2	Sun	1/19/06'	ECN06019	CHECKED BY: Eisley	7/12-19'	.XX ± 0.15/.006 .X' ±	DRAWING NO. CH7117SH PART NO. CH71***M1**-0*	
SYM	NAME	DATE	REVISIONS	APPROVED BY: Eisley	7/12-19'	.XXX ± 0.10/.004 .XX' ±	SCALE 6 / 1 SHEET 1 OF 2	

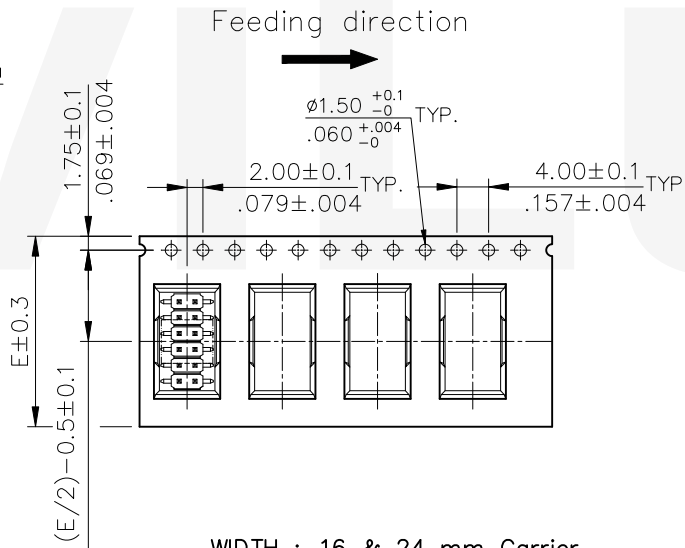
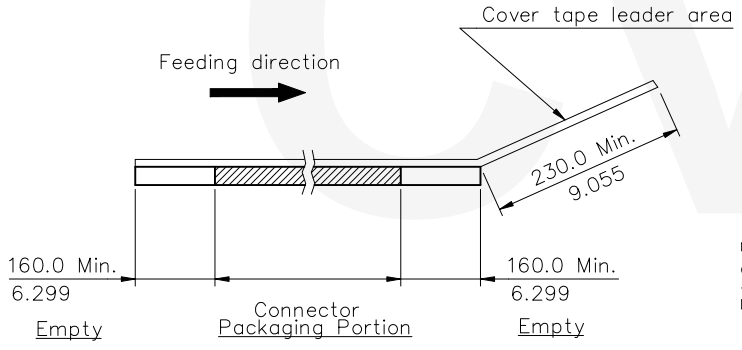


NOTE :

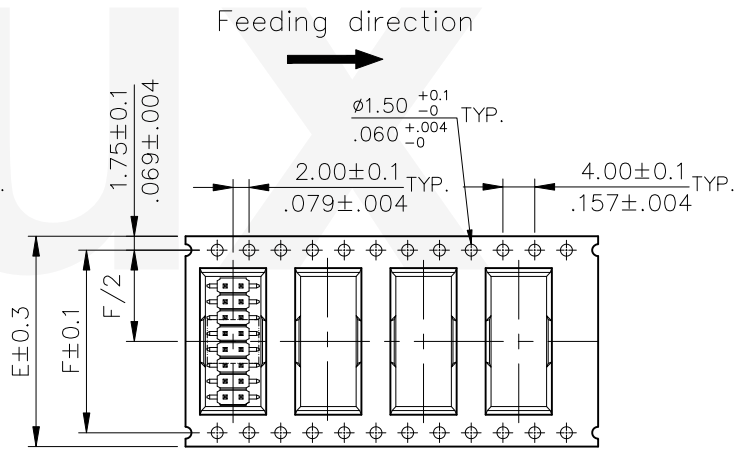
- * Reel Material : Corrugated Paper
- * Carrier Material : Clear, Conductive Polystyrene Alloy
- * Cover Tape Material : Polyester
- * Cover Tape Peel Strength : 0.1N – 1.3N
- * Carrier camber is within 1mm in 100mm
- * All dimensions meet EIA-481-C requirements.

5

Circuits	Dimension				
	E	F	W1	W2	W3
4-6	16.0(.630)	-	16.5(.650)	22.5(.886)	16.5(.650)
8-16	24.0(.945)	-	24.5(.965)	30.5(1.200)	24.5(.965)
18-20	32.0(1.260)	28.40(1.118)	32.5(1.280)	38.5(1.516)	32.5(1.280)
22-34	44.0(1.732)	40.40(1.596)	44.5(1.752)	50.5(1.988)	44.5(1.752)
36-44	56.0(2.205)	52.40(2.063)	32.5(1.280)	38.5(1.516)	32.5(1.280)



WIDTH : 16 & 24 mm Carrier



WIDTH : 32.44 & 56 mm Carrier

RoHS Compliant

SYM	NAME	DATE	REVISIONS	APPROVED BY:	DATE	UNIT: mm / inch	TITLE: 2.00mm(.079") DUAL ROW SURFACE BOARD MOUNT PIN HEADER	MATERIAL:	FINISH:	DRAWING NO.	PART NO.	SHEET 2 OF 2
5	Yushu	7/09/19'	ECRB119043/ECNT119173									
4	Sun	4/12/19'	ECNT119093	DRAWN BY:	Yushu	7/09-19'	TOLERANCE UNLESS OTHERWISE SPECIFIED			CH7117SH	CH71***M1**-0*	
3	Aaron	10/21-16'	ECNT116250/ECRB116072	ENGINEER:	Sun	7/10-19'						
2	Sun	1/19/06'	ECN06019	CHECKED BY:	Eisley	7/12-19'						
				APPROVED BY:	Eisley	7/12-19'						



X-ON Electronics

Largest Supplier of Electrical and Electronic Components

Click to view similar products for [Headers & Wire Housings](#) category:

Click to view products by [Cvilux](#) manufacturer:

Other Similar products are found below :

[57102-F02-18ULF](#) [58102-G61-06LF](#) [0009485154](#) [009176003701906](#) [0050291907](#) [02.125.8002.8](#) [609-3404](#) [61062-3](#) [622-0430](#) [622-3653LF](#)
[63453-116](#) [636-1030](#) [636-1427](#) [636-3427](#) [636-4007](#) [641938-9](#) [644827-2](#) [65495-038](#) [65692-001LF](#) [65781-018](#) [65781-047](#) [65817-010LF](#)
[65817-015LF](#) [66207-023LF](#) [67016-026LF](#) [67095-007LF](#) [68631-112](#) [68645-018](#) [68648-049](#) [699319-000](#) [70.362.1628.0](#) [70-4210](#) [70-4226B](#)
[70-4853B](#) [707-5020](#) [707-5028](#) [71.350.2428.0](#) [71961-016LF](#) [733-134](#) [754199-000](#) [760-3052](#) [787-8014-00](#) [FCN-367T-T012/H](#) [80.063.4001.1](#)
[800-90-010-10-002000](#) [801-43-002-10-013000](#) [801-43-006-10-002000](#) [803-41-018-10-001000](#) [803-43-014-20-001000](#) [803-43-024-10-001000](#)