

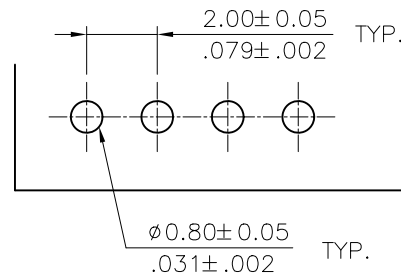
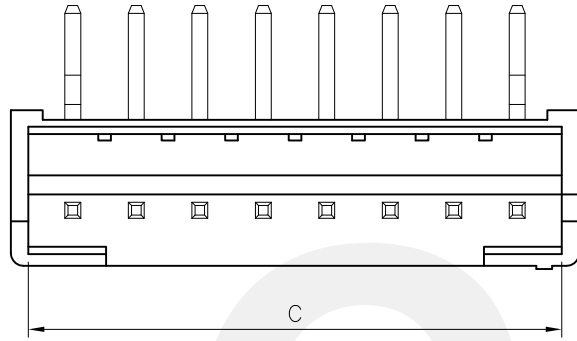
Note:

1. Material:

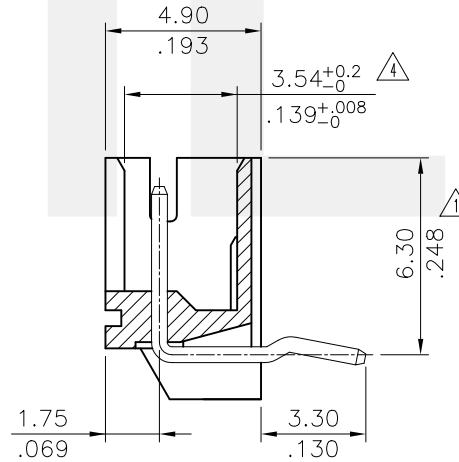
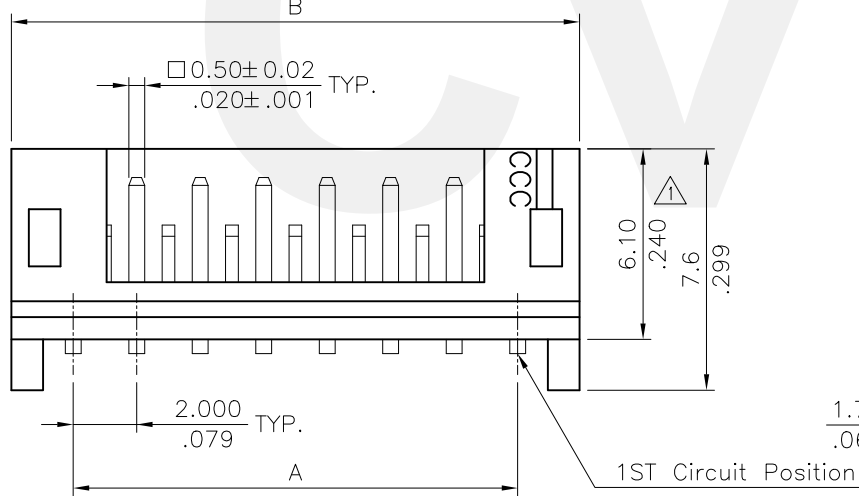
* Insulation: Nylon 66 UL 94V-0
Color Nature

* Contact: Brass

⚠️ 2. For Lead Free Wave Flow Process



Recommended P.C. Board Layout



Ordering Code:

CI01 ** P 1 H KO
① ② ③ ④ ⑤ ⑥

① Series No.

② No. of Circuits:

③ P= Pin header

④ Plating: 1= 3.05µm(120µ") Min. Tin over
0.76µm(30µ") Nickel

⑤ Type:H= Right angle


⑥ Other option: KO= With Pin Kinked

Circuits	Dimension		
	A	B	C
2	2.00(.079)	6.0(.236)	4.90(.193)
3	4.00(.157)	8.0(.315)	6.90(.272)
4	6.00(.236)	10.0(.394)	8.90(.350)
5	8.00(.315)	12.0(.472)	10.90(.429)
6	10.00(.394)	14.0(.551)	12.90(.508)
7	12.00(.472)	16.0(.630)	14.90(.587)
8	14.00(.551)	18.0(.709)	16.90(.665)
9	16.00(.630)	20.0(.787)	18.90(.774)
10	18.00(.709)	22.0(.866)	20.90(.823)
11	20.00(.787)	24.0(.945)	22.90(.902)
12	22.00(.866)	26.0(1.024)	24.90(.980)
13	24.00(.945)	28.0(1.102)	26.90(1.059)
14	26.00(1.024)	30.0(1.181)	28.90(1.138)
15	28.00(1.102)	32.0(1.260)	30.90(1.217)
16	30.00(1.181)	34.0(1.338)	32.90(1.295)

Halogen-Free

Lead Free Process

RoHS compliant

SYM	NAME	DATE	REVISIONS	APPROVED BY:	Eisley	7/28-17'	UNIT: mm / inch	TITLE: 2.00MM(.079") RIGHT ANGLE HEADER	 瀚荃股份有限公司 CviLux Corporation
④	Sun	7/20-17'	ECNT117146/ECRT117041			DATE	UNIT: mm / inch	TITLE: 2.00MM(.079") RIGHT ANGLE HEADER	
③	Enya	3/6-13'	ECN13056-0/ECR13007-1	DRAWN BY:	Sun	7/21-17'	TOLERANCE UNLESS OTHERWISE SPECIFIED	MATERIAL:	
②	Sandy	8/05/04'	ECN04300	ENGINEER:	Sun	7/21-17'	.X ± 0.30/012 X' ± 1"	FINISH:	
①	Casey	5/20/04'	ECN04202	CHECKED BY:	Eisley	7/28-17'	.XX ± 0.20/008 .X ±	DRAWING NO. CI0103SJ	PART NO. CI01**P1HK0
				APPROVED BY:	Eisley	7/28-17'	.XXX ± 0.10/004 .XX ±	SCALE 4 / 1	SHEET 1 OF 1

X-ON Electronics

Largest Supplier of Electrical and Electronic Components

Click to view similar products for [Headers & Wire Housings](#) category:

Click to view products by [Cvilux](#) manufacturer:

Other Similar products are found below :

[57102-F02-18ULF](#) [58102-G61-06LF](#) [0009485154](#) [009176003701906](#) [0050291907](#) [02.125.8002.8](#) [609-3404](#) [61062-3](#) [622-0430](#) [622-3653LF](#)
[63453-116](#) [636-1030](#) [636-1427](#) [636-3427](#) [636-4007](#) [641938-9](#) [644827-2](#) [65495-038](#) [65692-001LF](#) [65781-018](#) [65781-047](#) [65817-010LF](#)
[65817-015LF](#) [66207-023LF](#) [67016-026LF](#) [67095-007LF](#) [68631-112](#) [68645-018](#) [68648-049](#) [699319-000](#) [70.362.1628.0](#) [70-4210](#) [70-4226B](#)
[70-4853B](#) [707-5020](#) [707-5028](#) [71.350.2428.0](#) [71961-016LF](#) [733-134](#) [754199-000](#) [760-3052](#) [787-8014-00](#) [FCN-367T-T012/H](#) [80.063.4001.1](#)
[800-90-001-10-001000](#) [800-90-010-10-002000](#) [801-43-002-10-013000](#) [801-43-006-10-002000](#) [803-41-018-10-001000](#) [803-43-014-20-](#)
[001000](#)