

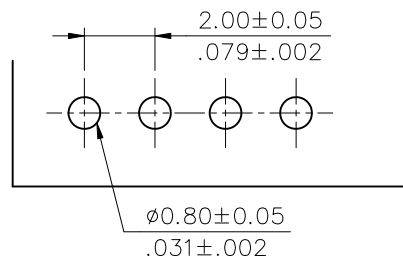
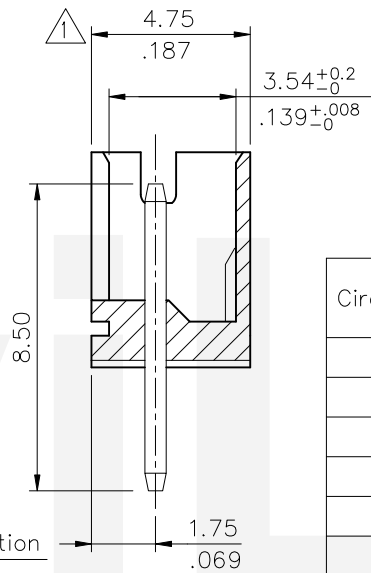
Notes:

- \* Insulation: High Temperature Plastic  
UL 94V-0 Color Nature  
(Halogen-Free)
- \* Contact: Brass
- \* For Lead Free IR Reflow Process

Ordering Code:

CI01 \*\* P \* V 00 -NH  
① ② ③ ④ ⑤ ⑥ ⑦

- ① Series No.
- ② No. of Circuits:
- ③ P= Pin header
- ④ Plating: 1= 2.54  $\mu\text{m}$ (100  $\mu\text{''}$ ) Min. Matte Tin  
over 1.27  $\mu\text{m}$ (50  $\mu\text{''}$ ) Nickel  
2= Gold Flash plated over  
1.27  $\mu\text{m}$ (50  $\mu\text{''}$ ) Nickel
- ⑤ Type: V= Straight
- ⑥ Other option: 00= Without Pin Kinked
- ⑦ -NH= For Lead Free IR Reflow Process  
and Halogen-Free




Recommended P.C. Board Layout

Circuits	Dimension		
	A	B	C
2	2.00(.079)	6.0(.236)	4.90(.193)
3	4.00(.157)	8.0(.315)	6.90(.272)
4	6.00(.236)	10.0(.394)	8.90(.272)
5	8.00(.315)	12.0(.472)	10.90(.429)
6	10.00(.394)	14.0(.551)	12.90(.508)
7	12.00(.472)	16.0(.630)	14.90(.587)
8	14.00(.551)	18.0(.709)	16.90(.665)
9	16.00(.630)	20.0(.787)	18.90(.744)
10	18.00(.709)	22.0(.866)	20.90(.823)
11	20.00(.787)	24.0(.945)	22.90(.902)
12	22.00(.866)	26.0(1.024)	24.90(.980)
13	24.00(.945)	28.0(1.102)	26.90(1.059)
14	26.00(1.024)	30.0(1.181)	28.90(1.138)
15	28.00(1.102)	32.0(1.260)	30.90(1.217)
16	30.00(1.181)	34.0(1.338)	32.90(1.295)

Halogen-Free

Lead Free Process

RoHS Compliant

④					DATE	UNIT: mm / inch	TITLE: 2.00MM(.079") STRAIGHT HEADER	 瀚荃股份有限公司 CviLux Corporation
③				DRAWN BY: Michelle	4/8-20'	TOLERANCE UNLESS OTHERWISE SPECIFIED	MATERIAL:	
②				ENGINEER: Sun	4/8-20'	.X $\pm$ 0.30/.012	CUSTOMER: TCF0276	
①	Michelle	4/8-20'	ECNT120083	CHECKED BY: Eisley	4/9-20'	.XX $\pm$ 0.20/.008		DRAWING NO. CI01152SB
SYM	NAME	DATE	REVISIONS	APPROVED BY: Eisley	4/9-20'	.XXX $\pm$ 0.10/.004	CUSTOMER: TCF0276	PART NO. CI01**P*V00-NH
						.XX' $\pm$	SCALE 4 / 1	SHEET 1 OF 1

## X-ON Electronics

Largest Supplier of Electrical and Electronic Components

*Click to view similar products for [Headers & Wire Housings](#) category:*

*Click to view products by [Cvilux](#) manufacturer:*

Other Similar products are found below :

[0015917161](#) [0022155065](#) [57102-F02-18ULF](#) [58102-G61-06LF](#) [582553-1](#) [01.001.5753.1](#) [0050291907](#) [02.125.8002.8](#) [609-3404](#) [61062-3](#)  
[CSU011177004](#) [622-0430](#) [622-3653LF](#) [63453-116](#) [636-1030](#) [636-1427](#) [636-3427](#) [636-4007](#) [641938-9](#) [65495-038](#) [65692-001LF](#) [65781-018](#)  
[65781-047](#) [65817-010LF](#) [65817-015LF](#) [67095-007LF](#) [67601157](#) [68631-112](#) [68645-018](#) [699319-000](#) [70.362.1628.0](#) [70-4210](#) [70-4226B](#) [70-](#)  
[4853B](#) [71.350.2428.0](#) [733-134](#) [733-162](#) [760-3052](#) [MHR-64-VUAL](#) [80.063.4001.1](#) [800-90-001-10-001000](#) [801-43-002-10-013000](#)  
[801-43-006-10-002000](#) [803-43-024-10-001000](#) [803-93-012-10-001000](#) [8-1437020-4](#) [819-22-004-30-001101](#) [820-22-006-30-001101](#)  
[820-22-008-30-001101](#) [821-22-002-10-001101](#)