

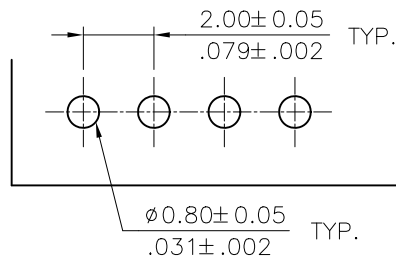
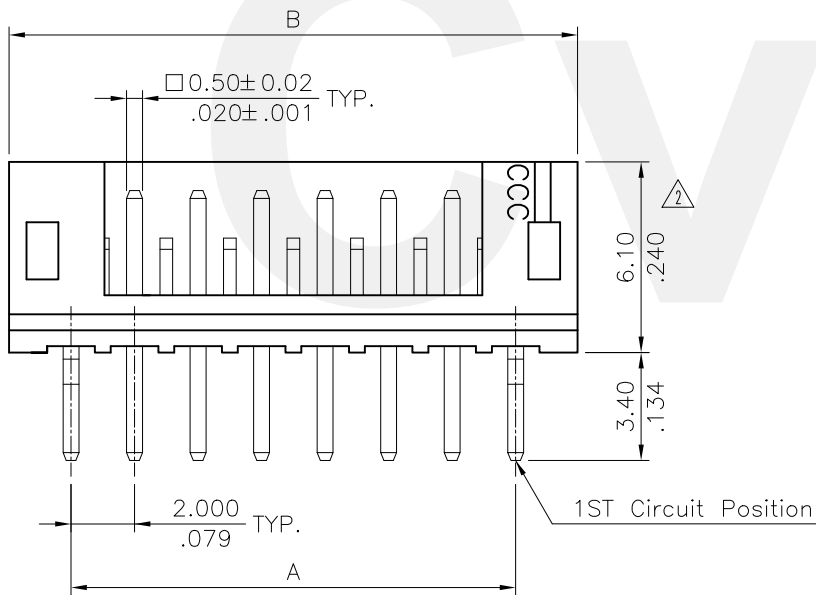
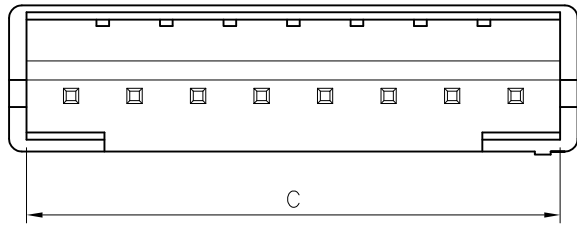
Note:

1. Material:

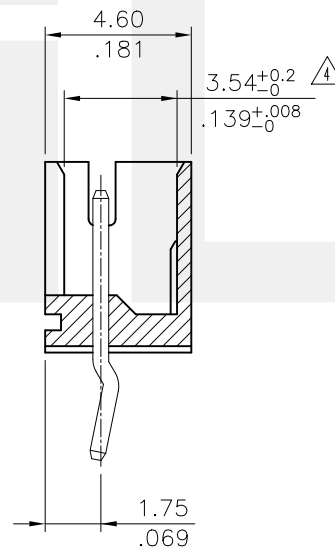
* Insulation: Nylon 66 UL 94V-0
Color Nature

* Contact: Brass

⚠️ 2. For Lead Free Wave Flow Process



Recommended P.C. Board Layout



Ordering Code:

CI01 ** P 1 V K0
① ② ③ ④ ⑤ ⑥

① Series No.

② No. of Circuits:

③ P= Pin header

⚠️ ④ Plating: 1= 3.05μm(120μ") Min. Tin over
0.76μm(30μ") Nickel
2= Gold Flash plated over
1.27μm(50μ") Nickel

⑤ Type: V= Straight

⑥ Other option: K0= With Pin Kinked

Circuits	Dimension		
	A	B	C
2	2.00(.079)	6.0(.236)	4.90(.193)
3	4.00(.157)	8.0(.315)	6.90(.272)
4	6.00(.236)	10.0(.394)	8.90(.350)
5	8.00(.315)	12.0(.472)	10.90(.429)
6	10.00(.394)	14.0(.551)	12.90(.508)
7	12.00(.472)	16.0(.630)	14.90(.587)
8	14.00(.551)	18.0(.709)	16.90(.665)
9	16.00(.630)	20.0(.787)	18.90(.744)
10	18.00(.709)	22.0(.866)	20.90(.823)
11	20.00(.787)	24.0(.945)	22.90(.902)
12	22.00(.866)	26.0(1.024)	24.90(.980)
13	24.00(.945)	28.0(1.102)	26.90(1.059)
14	26.00(1.024)	30.0(1.181)	28.90(1.138)
15	28.00(1.102)	32.0(1.260)	30.90(1.217)
16	30.00(1.181)	34.0(1.338)	32.90(1.295)

Halogen-Free

Lead Free Process

RoHS compliant

SYM	NAME	DATE	REVISIONS	APPROVED BY:	Eisley	7/28-17'
⑥	Sun	7/20-17'	ECNT117146/ECRT117041			
⑤	Enya	3/6-13'	ECN13056-0/ECR13007-1	DRAWN BY:	Sun	7/21-17'
④	SUN	11/02/04'	ECR04096-0/ECN04425	ENGINEER:	Sun	7/21-17'
③	SANDY	8/05/04'	ECN04300	CHECKED BY:	Eisley	7/28-17'

TITLE:	2.00MM(.079") STRAIGHT HEADER
MATERIAL:	
FINISH:	

 瀚荃股份有限公司 CviLux Corporation			
DRAWING NO.	CI0102SM	PART NO.	CI01**P*VK0
SCALE	4 / 1	SHEET	1 OF 1

UNIT:	mm / inch
TOLERANCE UNLESS OTHERWISE SPECIFIED	
.X ± 0.30/012	X' ± 1'
.XX ± 0.20/008	.X' ±
.XXX ± 0.10/004	.XX' ±

X-ON Electronics

Largest Supplier of Electrical and Electronic Components

Click to view similar products for [Headers & Wire Housings](#) category:

Click to view products by [Cvilux](#) manufacturer:

Other Similar products are found below :

[0015917161](#) [0022155065](#) [57102-F02-18ULF](#) [58102-G61-06LF](#) [582553-1](#) [01.001.5753.1](#) [0050291907](#) [02.125.8002.8](#) [609-3404](#) [61062-3](#)
[CSU011177004](#) [622-0430](#) [622-3653LF](#) [63453-116](#) [636-1030](#) [636-1427](#) [636-3427](#) [636-4007](#) [641938-9](#) [65495-038](#) [65692-001LF](#) [65781-018](#)
[65781-047](#) [65817-010LF](#) [65817-015LF](#) [67095-007LF](#) [67601157](#) [68631-112](#) [68645-018](#) [699319-000](#) [70.362.1628.0](#) [70-4210](#) [70-4226B](#) [70-](#)
[4853B](#) [71.350.2428.0](#) [733-134](#) [733-162](#) [760-3052](#) [MHR-64-VUAL](#) [80.063.4001.1](#) [800-90-001-10-001000](#) [801-43-002-10-013000](#)
[801-43-006-10-002000](#) [803-43-024-10-001000](#) [803-93-012-10-001000](#) [8-1437020-4](#) [819-22-004-30-001101](#) [820-22-006-30-001101](#)
[820-22-008-30-001101](#) [821-22-002-10-001101](#)