

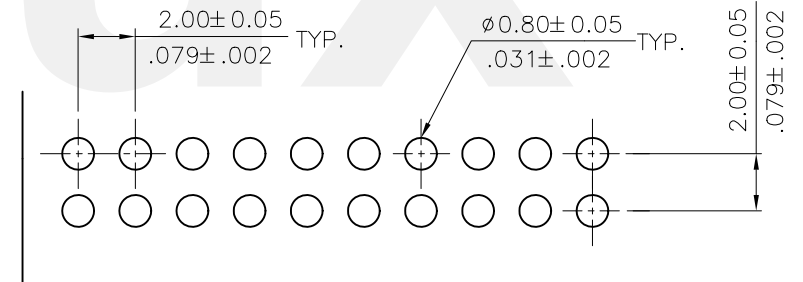
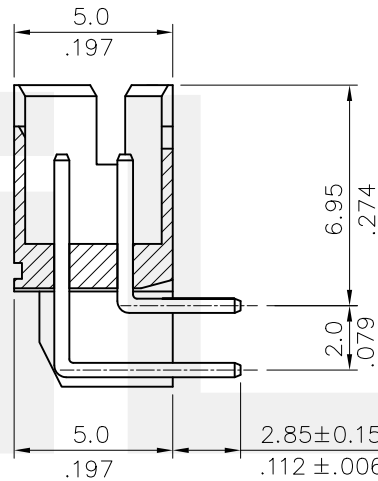
Note:

1. Material:
 - * Insulation: Nylon 6T+30% G.F. UL94V-0 (Halogen-Free)
 - * Contact: Brass
2. For Lead Free Wave flow Process

Ordering Code:

CI01 ** P * H D 0 - NH - M
 ① ② ③ ④ ⑤ ⑥ ⑦ ⑧ ⑨

- ① Series No.
- ② No. of Circuits
- ③ Contact type: P= Pin Header
- ④ Plating option:
 - 1= 3.05μm (120μ") Matte Tin over 0.76μm(30μ") Nickel
 - 2= Gold Flash plated over 1.27μm(50μ") Nickel
- ⑤ Type: H=Right angle
- ⑥ Other Option: D= Dual Row Type
- ⑦ Color: 0=Nature
- ⑧ -NH= For Lead Free Wave flow Process and Halogen-Free
- ⑨ -M= Solder tail length 2.85mm for PCB requirement



Recommended P.C. Board Layout

A = 2.0 x (No. of Circuits/2-1)
 B = A + 3.9
 C = A + 2.7
 * Available in 6 through 34 circuits

Halogen-Free Lead Free Process RoHS Compliant

④					DATE	UNIT: mm / inch	TITLE:	瀚荃股份有限公司 CviLux Corporation
③				DRAWN BY: Karen	11/25-16'	TOLERANCE UNLESS OTHERWISE SPECIFIED	2.00mm PIN HEADER DIP TYPE	
②				ENGINEER: Sun	11/28-16'	.X ± 0.30/.012 X' ± 1'	MATERIAL:	
①				CHECKED BY: Eisley	12/01-16'	.XX ± 0.20/.008 .X' ±	CUSTOMER: ACL1058	
SYM	NAME	DATE	REVISIONS	APPROVED BY: Eisley	12/01-16'	.XXX ± 0.10/.004 .XX' ±	DRAWING NO. CI01252SA PART NO. CI01**P*HDO-NH-M	
								SCALE 3 / 1 SHEET 1 OF 1

X-ON Electronics

Largest Supplier of Electrical and Electronic Components

Click to view similar products for [Headers & Wire Housings](#) category:

Click to view products by [Cvilux](#) manufacturer:

Other Similar products are found below :

[57102-F02-18ULF](#) [58102-G61-06LF](#) [0009485154](#) [009176003701906](#) [0050291907](#) [02.125.8002.8](#) [609-3404](#) [61062-3](#) [622-0430](#) [622-3653LF](#)
[63453-116](#) [636-1030](#) [636-1427](#) [636-3427](#) [636-4007](#) [641938-9](#) [644827-2](#) [65495-038](#) [65692-001LF](#) [65781-018](#) [65781-047](#) [65817-010LF](#)
[65817-015LF](#) [66207-023LF](#) [67016-026LF](#) [67095-007LF](#) [68631-112](#) [68645-018](#) [68648-049](#) [699319-000](#) [70.362.1628.0](#) [70-4210](#) [70-4226B](#)
[70-4853B](#) [707-5020](#) [707-5028](#) [71.350.2428.0](#) [71961-016LF](#) [733-134](#) [754199-000](#) [760-3052](#) [787-8014-00](#) [FCN-367T-T012/H](#) [80.063.4001.1](#)
[800-90-010-10-002000](#) [801-43-002-10-013000](#) [801-43-006-10-002000](#) [803-41-018-10-001000](#) [803-43-014-20-001000](#) [803-43-024-10-001000](#)