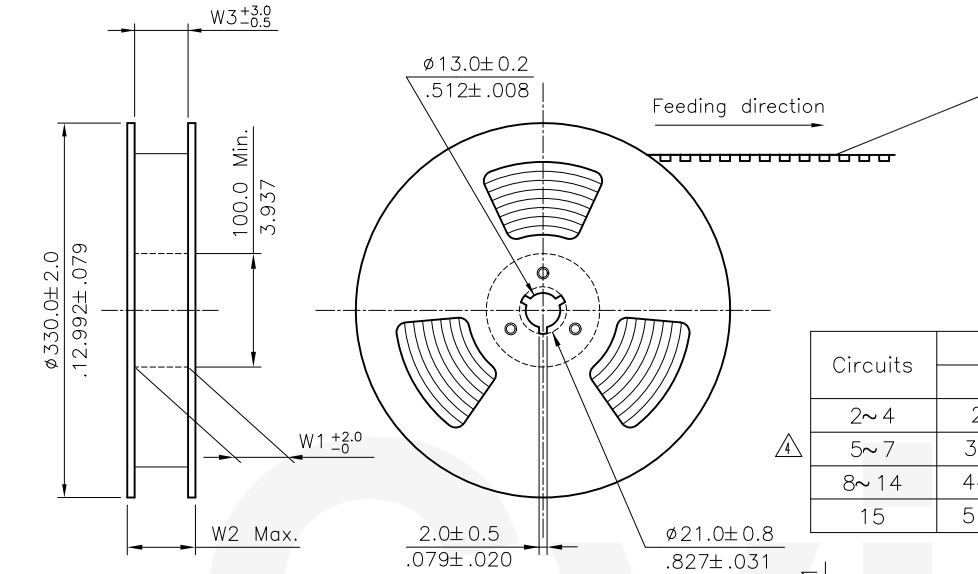


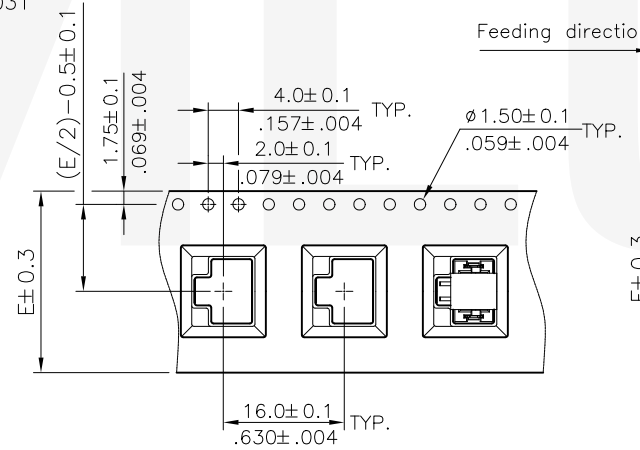
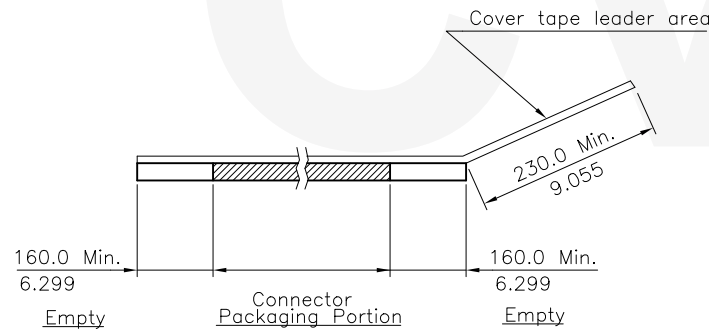


NOTE :

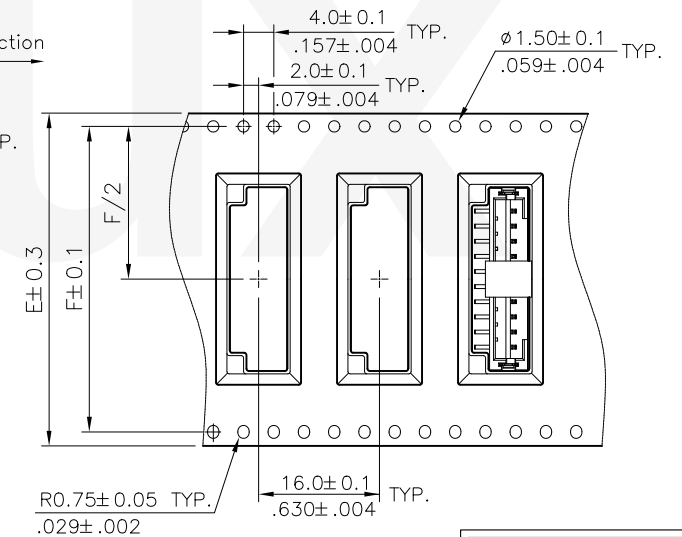
- \* Reel Material : Corrugated Paper
- \* Carrier Material : Transparent Anti-static Polysyrene.
- \* Cover Tape Material : Polyester
- \* Cover Tape Peel Strength : 0.1N – 1.3N
- \* Carrier camber is within 1mm in 100mm
- \* All dimensions meet EIA-481-2 requirements.
- \* Quantity : 500 PCS/Reel



Circuits	Dimension					Packing (Reel/Caton)
	E	F	W1	W2	W3	
2~4	24.0(.945)	-	24.5(.965)	30.5(1.200)	24.5(.965)	9
5~7	32.0(1.260)	28.40(1.118)	32.5(1.280)	38.5(1.516)	32.5(1.280)	7
8~14	44.0(1.732)	40.40(1.596)	44.4(1.748)	50.4(1.984)	44.4(1.748)	5
15	56.0(2.205)	52.40(2.062)	56.5(2.224)	62.5(2.460)	56.5(2.224)	4




WIDTH : 24 mm Carrier



WIDTH : 32,44,56 mm Carrier

RoHS Compliant

4	Ken	4/11-18'	ECNT118070/ECRH118010		DATE	UNIT: mm / inch	TITLE: 2.00mm PITCH TOP ENTRY SMT HEADER	 瀚荃股份有限公司 CviLux Corporation
3	Enya	3/5-13'	ECN13056-0/ECR13007-1	DRAWN BY: Ken	4/11-18'	TOLERANCE UNLESS OTHERWISE SPECIFIED	MATERIAL:	
2	Sun	9/21-11'	ECN11202	ENGINEER: Sun	4/16-18'	.X ±	.X' ± 1'	DRAWING NO. C10123AE PART NO. C101**M*V*0-NH
1	Sun	5/25-11'	ECR10039-2/ECN11060	CHECKED BY: Eisley	4/17-18'	.XX ±	.X' ±	
SYM	NAME	DATE	REVISIONS	APPROVED BY: Eisley	4/17-18'	.XXX ±	.XX' ±	SCALE SHEET 2 OF 2

## X-ON Electronics

Largest Supplier of Electrical and Electronic Components

*Click to view similar products for [Headers & Wire Housings](#) category:*

*Click to view products by [Cvilux](#) manufacturer:*

Other Similar products are found below :

[57102-F02-18ULF](#) [58102-G61-06LF](#) [0009485154](#) [009176003701906](#) [0050291907](#) [02.125.8002.8](#) [609-3404](#) [61062-3](#) [622-0430](#) [622-3653LF](#)  
[63453-116](#) [636-1030](#) [636-1427](#) [636-3427](#) [636-4007](#) [641938-9](#) [644827-2](#) [65495-038](#) [65692-001LF](#) [65781-018](#) [65781-047](#) [65817-010LF](#)  
[65817-015LF](#) [66207-023LF](#) [67016-026LF](#) [67095-007LF](#) [68631-112](#) [68645-018](#) [68648-049](#) [699319-000](#) [70.362.1628.0](#) [70-4210](#) [70-4226B](#)  
[70-4853B](#) [707-5020](#) [707-5028](#) [71.350.2428.0](#) [71961-016LF](#) [733-134](#) [754199-000](#) [760-3052](#) [787-8014-00](#) [FCN-367T-T012/H](#) [80.063.4001.1](#)  
[800-90-010-10-002000](#) [801-43-002-10-013000](#) [801-43-006-10-002000](#) [803-41-018-10-001000](#) [803-43-014-20-001000](#) [803-43-024-10-001000](#)