

Note:

1. Material:

- \* Insulation: Nylon 6T With 30% GF. 94V-0 ,Color Nature(Halogen-Free)
- \* Contact: Brass with Matte Tin plated
- \* TAB: Brass with Matte Tin plated

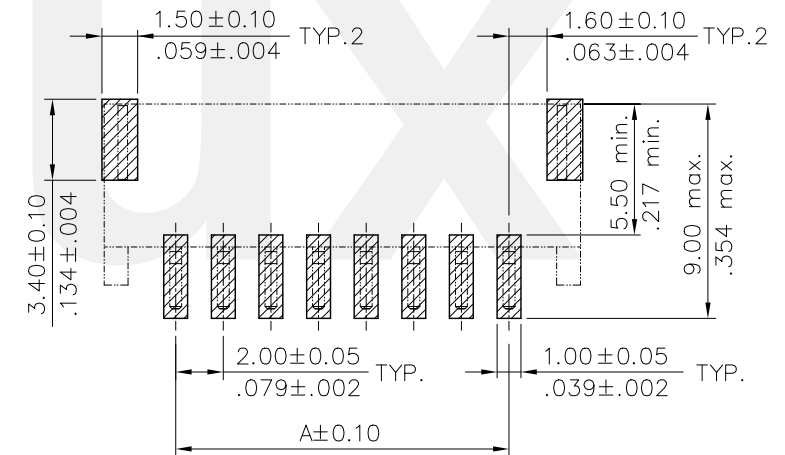
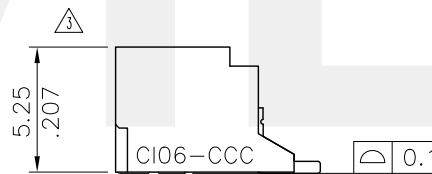
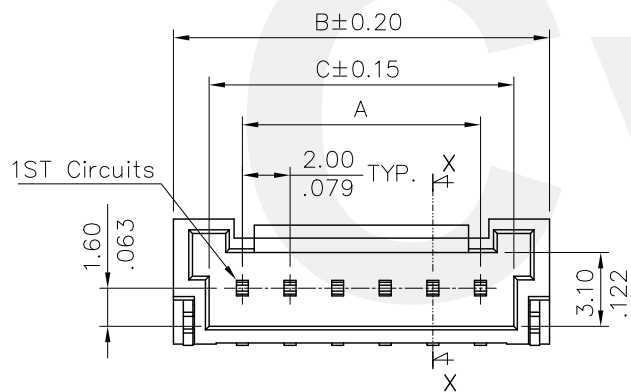
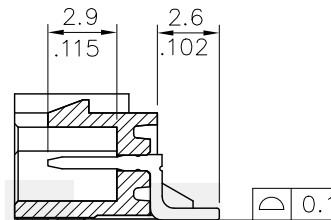
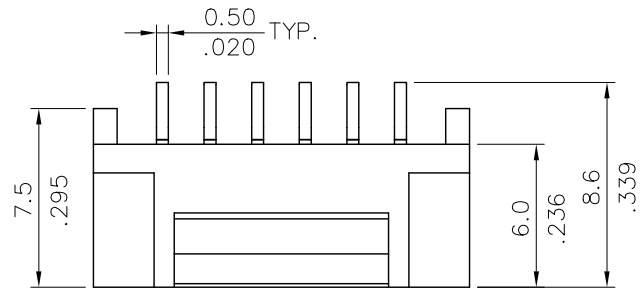
△ 2. For Lead Free IR Reflow Process

Ordering Code:

CI06 \*\* M 1 H \* 0 -NH  
 ① ② ③ ④ ⑤ ⑥ ⑦ ⑧

TOLERANCE			
Dim \ Circuits	2~6P	7~10P	11~16P
A	±0.10	±0.15	±0.20

- ① Series No.
- ② No. of Circuits:
- ③ Contacts Type: M= SMT
- ④ Plating: 1= 3.05μm(120u") Min. Matte Tin over 1.27μm(50u") Nickel
- ⑤ Type: H= Right angle
- ⑥ Packing Options:  
R= Tape & Reel  
T= Tube Packing
- ⑦ Option: 0= Standard
- ⑧ NH= For Lead Free IR Reflow Process and Halogen-Free



Sold Pad Pattern

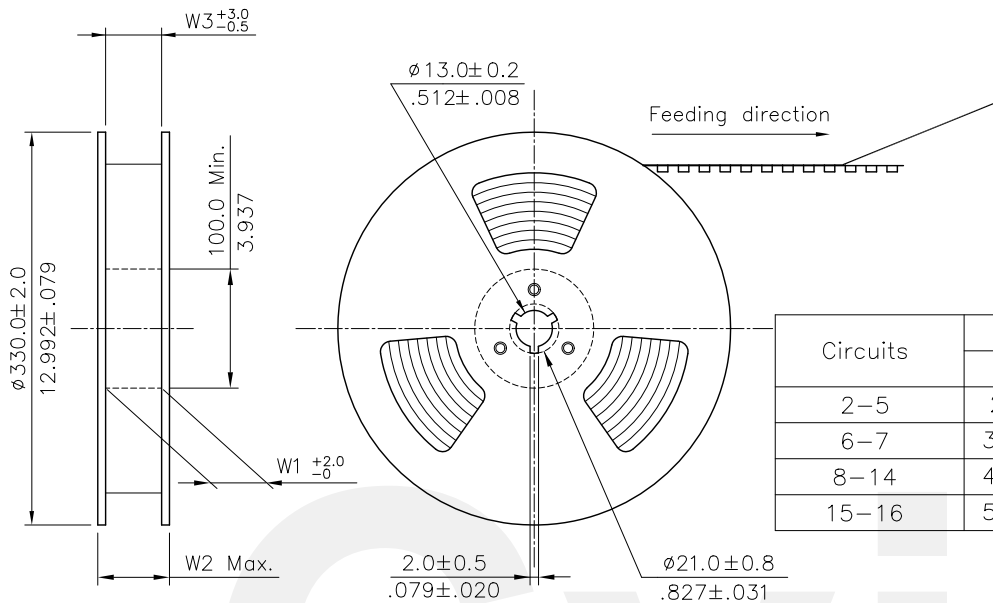
- A = 2.00 x No. of Spaces
- △ B = A + 5.8
- △ C = A + 2.8
- △ \* Available in 2 through 16 circuits

Halogen-Free

Lead Free Process

RoHS compliant

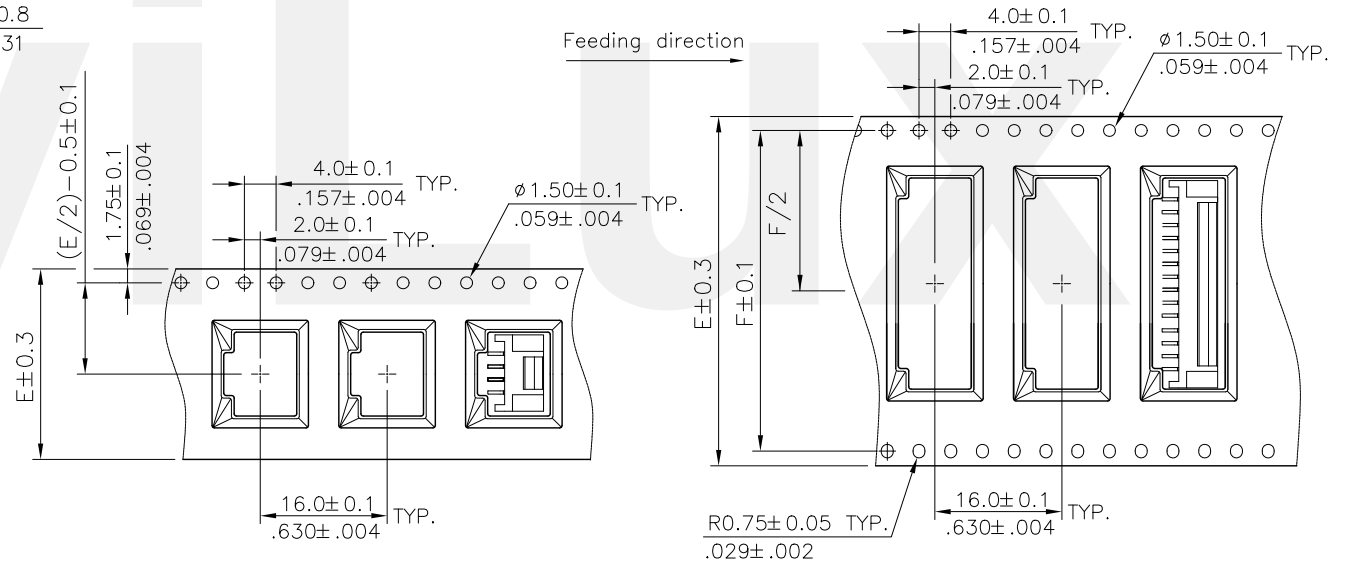
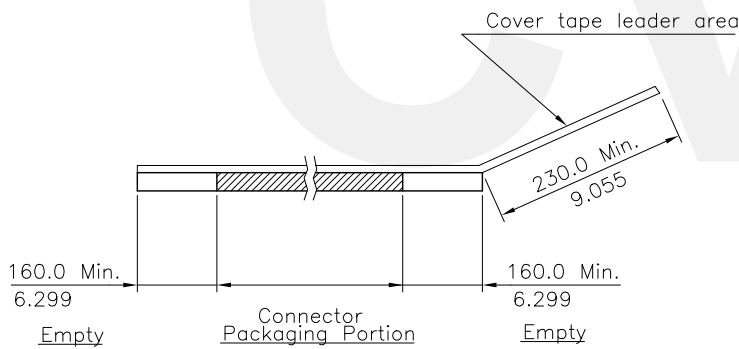
SYMBOL	NAME	DATE	REVISIONS	APPROVED BY:	DATE	UNIT: mm / inch	TITLE: 2.00mm PITCH SIDE ENTRY SMT HEADER	瀚荃股份有限公司 CviLux Corporation
④	Enya	3/8-13'	ECN13056-0/ECR13007-1					
③	Sandy	6/18-10'	ECN10211	DRAWN BY: Enya	3/08-13'	TOLERANCE UNLESS OTHERWISE SPECIFIED	MATERIAL:	
②	Una	6/9-10'	ECN10194	ENGINEER: Eisley	3/09-13'	.X ± 0.30/.012 X: ± 1'	FINISH:	
①	Sun	3/30-10'	ECN10088	CHECKED BY: Eisley	3/09-13'	.XX ± 0.20/.008 .X' ±		DRAWING NO. CI0619SE PART NO. CI06**M1H*0-NH
SYM	NAME	DATE	REVISIONS	APPROVED BY: David	3/09-13'	.XXX ± 0.10/.004 .XX' ±		SCALE 3 / 1 SHEET 1 OF 2



NOTE :

- \* Reel Material : Corrugated Paper
- \* Carrier Material : Transparent Anti-static Polysyrene.
- \* Cover Tape Material : Polyester
- \* Cover Tape Peel Strength : 0.1N – 1.3N
- \* Carrier camber is within 1mm in 100mm
- \* All dimensions meet EIA-481-2 requirements.
- \* Quantity : 700 PCS/Reel

Circuits	Dimension					Packing (Reel/Carton)
	E	F	W1	W2	W3	
2-5	24.0(.945)	-	24.5(.965)	30.5(1.200)	24.5(.965)	9
6-7	32.0(1.260)	28.40(1.118)	32.5(1.280)	38.5(1.516)	32.5(1.280)	7
8-14	44.0(1.732)	40.40(1.596)	44.5(1.752)	50.5(1.988)	44.5(1.752)	5
15-16	56.0(2.205)	52.40(2.063)	56.5(2.224)	62.5(2.461)	56.5(2.224)	4



WIDTH : 24 mm Carrier

WIDTH : 32,44,56 mm Carrier

RoHS Compliant

SYM	NAME	DATE	REVISIONS	APPROVED BY:	DATE	UNIT: mm / inch	TITLE: 2.00mm PITCH SIDE ENTRY SMT HEADER	MATERIAL:	FINISH:	DRAWING NO.	CIO619SE	PART NO.	CIO6**M1H*O-NH
4	Enya	3/8-13'	ECN13056-0/ECR13007-1		DATE	UNIT: mm / inch	TITLE: 2.00mm PITCH SIDE ENTRY SMT HEADER						
3	Sandy	6/18-10'	ECN10211	DRAWN BY: Enya	3/08-13'	TOLERANCE UNLESS OTHERWISE SPECIFIED							
2	Una	6/9-10'	ECN10194	ENGINEER: Eisley	3/09-13'	.X ±							
1	Sun	3/30-10'	ECN10088	CHECKED BY: Eisley	3/09-13'	.XX ±							
				APPROVED BY: David	3/09-13'	.XXX ±							



SCALE		SHEET 2 OF 2
-------	--	--------------

## X-ON Electronics

Largest Supplier of Electrical and Electronic Components

*Click to view similar products for [Headers & Wire Housings](#) category:*

*Click to view products by [Cvilux](#) manufacturer:*

Other Similar products are found below :

[0015917161](#) [0022155065](#) [57102-F02-18ULF](#) [58102-G61-06LF](#) [582553-1](#) [01.001.5753.1](#) [0050291907](#) [02.125.8002.8](#) [609-3404](#) [61062-3](#)  
[CSU011177004](#) [622-0430](#) [622-3653LF](#) [63453-116](#) [636-1030](#) [636-1427](#) [636-3427](#) [636-4007](#) [641938-9](#) [65495-038](#) [65692-001LF](#) [65781-018](#)  
[65781-047](#) [65817-010LF](#) [65817-015LF](#) [67095-007LF](#) [67601157](#) [68631-112](#) [68645-018](#) [699319-000](#) [70.362.1628.0](#) [70-4210](#) [70-4226B](#) [70-](#)  
[4853B](#) [71.350.2428.0](#) [733-134](#) [733-162](#) [760-3052](#) [MHR-64-VUAL](#) [80.063.4001.1](#) [800-90-001-10-001000](#) [801-43-002-10-013000](#)  
[801-43-006-10-002000](#) [803-43-024-10-001000](#) [803-93-012-10-001000](#) [8-1437020-4](#) [819-22-004-30-001101](#) [820-22-006-30-001101](#)  
[820-22-008-30-001101](#) [821-22-002-10-001101](#)