

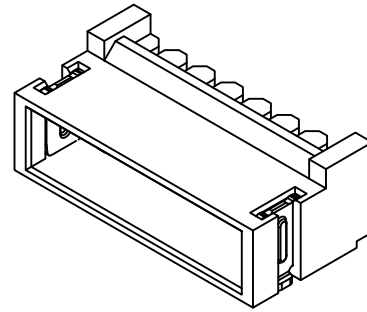
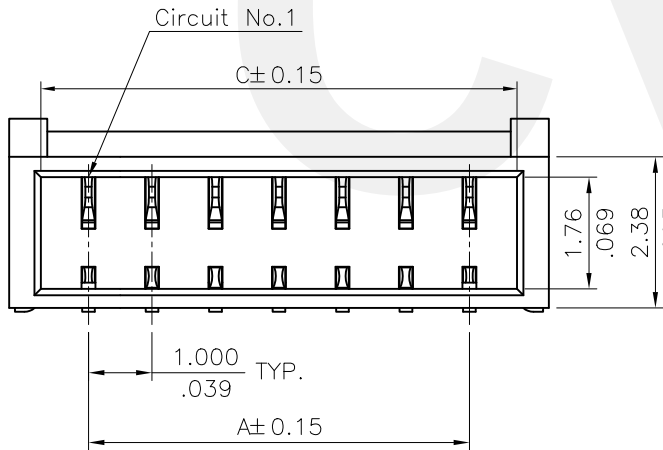
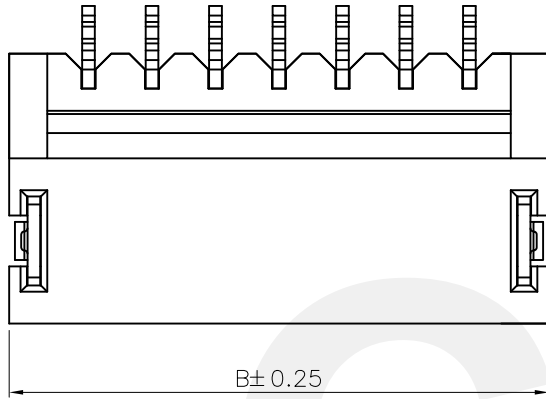
Notes:

Base: High temperature plastic UL 94V-0, Color Nature

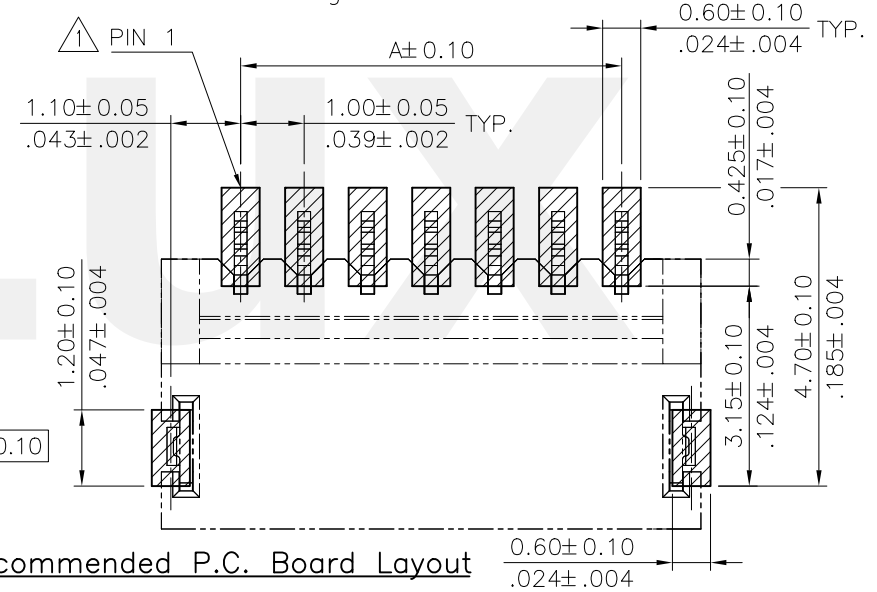
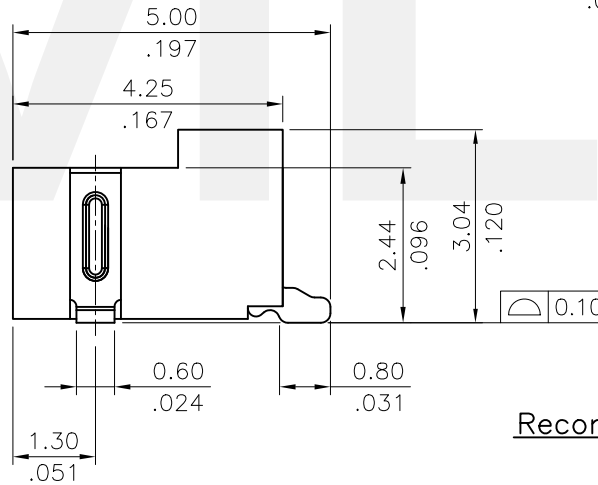
Contact: Copper alloy

Tab: Copper alloy with Matte Tin plated

For Lead Free IR Reflow Processes



DIM. A = 1.00 x NO. OF SPACES
 DIM. B = DIM. A + 2.50
 DIM. C = DIM. A + 1.50
 * AVAILABLE IN 2 THROUGH 20



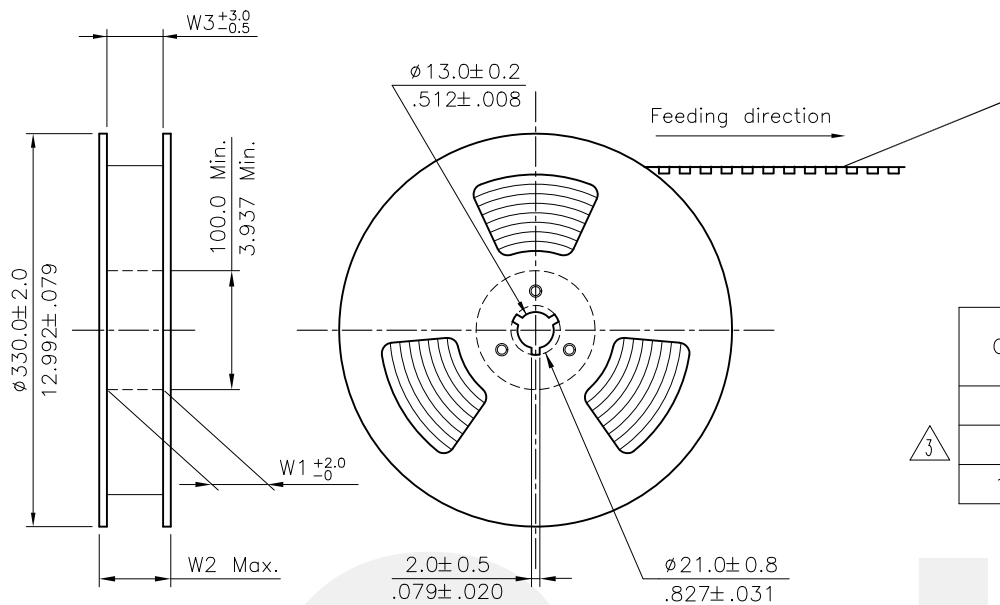
Ordering Code:

CI14 ** M 1 H R L - NH
 ① ② ③ ④ ⑤ ⑥ ⑦ ⑧

- ① Series No.
- ② No. of Circuits: 2~20 Pin
- ③ M= SMT type header
- ④ Plating: 1= 3.05um(120u") ~ 4.88um(192u")
Matte Tin over 1.27um(50u") Nickel
- ⑤ Type: H= Side Entry
- ⑥ Packing Options: R= Tape & Reel packing
- ⑦ Option: L= With Locking Ramp
- ⑧ Other option:
-NH= For Lead Free IR Processes and Halogen-Free

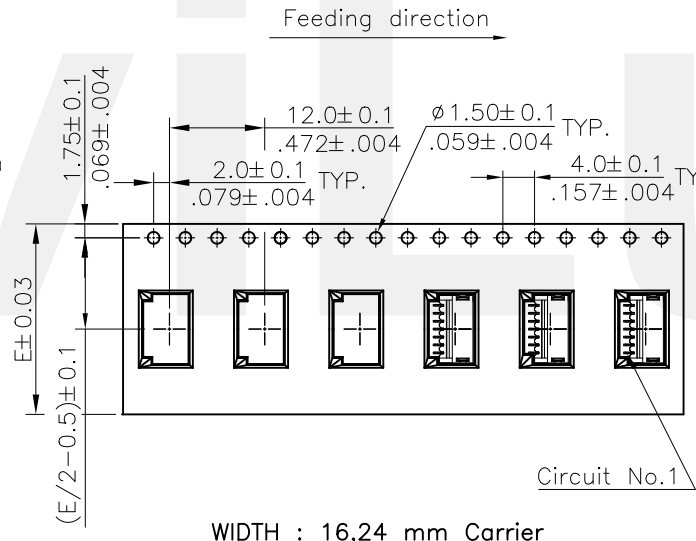
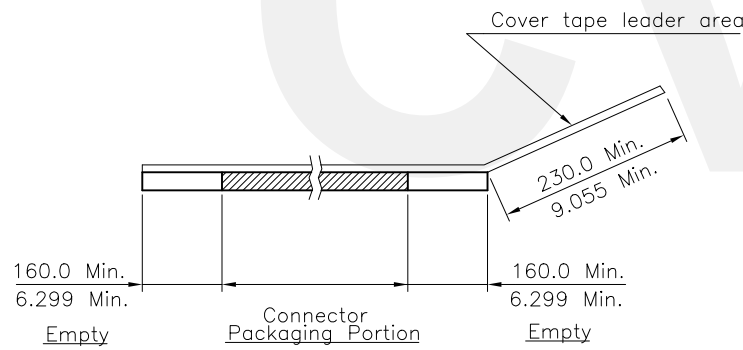
Halogen-Free Lead Free Process RoHS compliant

④					DATE	UNIT: mm / inch	TITLE: 1.00MM(.079")	瀚荃股份有限公司 CviLux Corporation
③	Ellie	6/3-15'	ECNT115129/ECRH115027	DRAWN BY: Ellie	6/3-15'	TOLERANCE UNLESS OTHERWISE SPECIFIED	WIRE TO BOARD CONNECTOR	
②	Tim	12/20-10'	ECN10402	ENGINEER: Sun	6/4-15'	.X ± 0.25/.010 .X' ± 1'	MATERIAL:	DRAWING NO. CI1410SD PART NO. CI14**M1HRL-NH
①	Tim	10/21-10'	ECN10350	CHECKED BY: Eisley	6/4-15'	.XX ± 0.15/.006 .X ±	FINISH:	SCALE 8 / 1 SHEET 1 OF 2
SYM	NAME	DATE	REVISIONS	APPROVED BY: Eisley	6/4-15'	.XXX ± 0.08/.003 .XX ±		

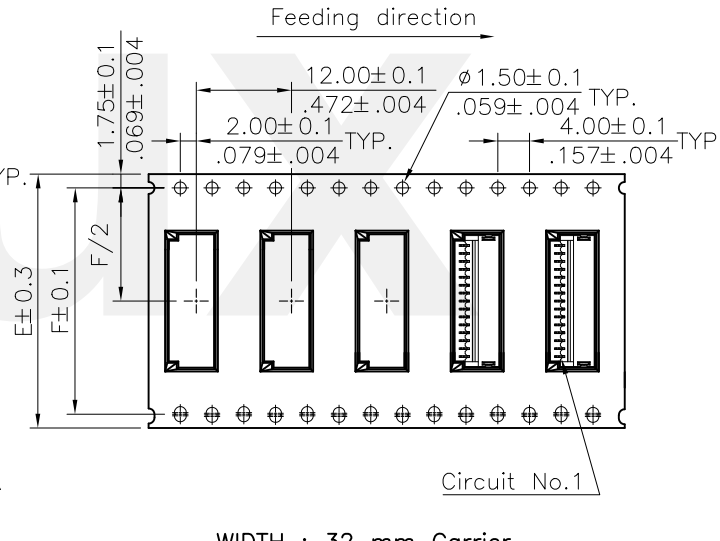


- NOTES:
1. 10 sprocket hole pitch cumulative tolerance ± 0.20
 2. Carrier camber is within 1 mm in 250 mm.
 3. Material :Transparent ps.
 4. All dimensions meet EIA-481-B requirements.
 5. Thickness : 0.35 ± 0.05 mm.
 6. Packing length per 22" Reel : 67.2 Meters.
 7. Component load per 13" Reel : 1600 pcs.

Circuits	Dimension					Packing (Reel/Carton)
	E	F	W1	W2	W3	
2-4	16.0(.630)	-	16.5(.650)	22.5(.886)	16.5(.650)	11
5-13	24.0(.945)	-	24.5(.965)	30.5(1.200)	24.5(.965)	9
14-20	32.0(1.260)	28.40(1.118)	32.5(1.280)	38.5(1.516)	32.5(1.280)	7



WIDTH : 16.24 mm Carrier



WIDTH : 32 mm Carrier

RoHS Compliant

SYM	NAME	DATE	REVISIONS	APPROVED BY:	DATE	UNIT: mm / inch	TITLE: 1.00MM(.039") WIRE TO BOARD CONNECTOR	MATERIAL:	CUSTOMER:	DRAWING NO. CI1410SD	PART NO. CI14**M1HRL-NH	SCALE	SHEET 2 OF 2
4													
3	Ellie	6/3-15'	ECNT115129/ECRH115027	DRAWN BY:	Ellie	6/3-15'	TOLERANCE UNLESS OTHERWISE SPECIFIED						
2	Tim	12/20-10'	ECN10402	ENGINEER:	Sun	6/4-15'	.X ±	X' ± "					
1	Tim	10/21-10'	ECN10350	CHECKED BY:	Eisley	6/4-15'	.XX ±	.X ±					
				APPROVED BY:	Eisley	6/4-15'	.XXX ±	.XX ±					



X-ON Electronics

Largest Supplier of Electrical and Electronic Components

Click to view similar products for [Headers & Wire Housings](#) category:

Click to view products by [Cvilux](#) manufacturer:

Other Similar products are found below :

[57102-F02-18ULF](#) [58102-G61-06LF](#) [0009485154](#) [009176003701906](#) [0050291907](#) [02.125.8002.8](#) [609-3404](#) [61062-3](#) [622-0430](#) [622-3653LF](#)
[63453-116](#) [636-1030](#) [636-1427](#) [636-3427](#) [636-4007](#) [641938-9](#) [644827-2](#) [65495-038](#) [65692-001LF](#) [65781-018](#) [65781-047](#) [65817-010LF](#)
[65817-015LF](#) [66207-023LF](#) [67016-026LF](#) [67095-007LF](#) [68631-112](#) [68645-018](#) [68648-049](#) [699319-000](#) [70.362.1628.0](#) [70-4210](#) [70-4226B](#)
[70-4853B](#) [707-5020](#) [707-5028](#) [71.350.2428.0](#) [71961-016LF](#) [733-134](#) [754199-000](#) [760-3052](#) [787-8014-00](#) [FCN-367T-T012/H](#) [80.063.4001.1](#)
[800-90-001-10-001000](#) [800-90-010-10-002000](#) [801-43-002-10-013000](#) [801-43-006-10-002000](#) [803-41-018-10-001000](#) [803-43-014-20-](#)
[001000](#)