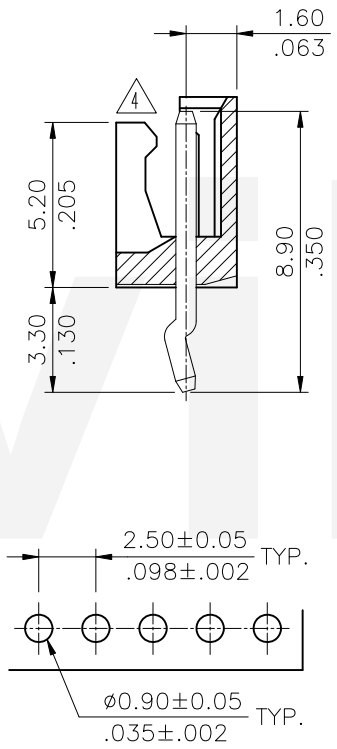
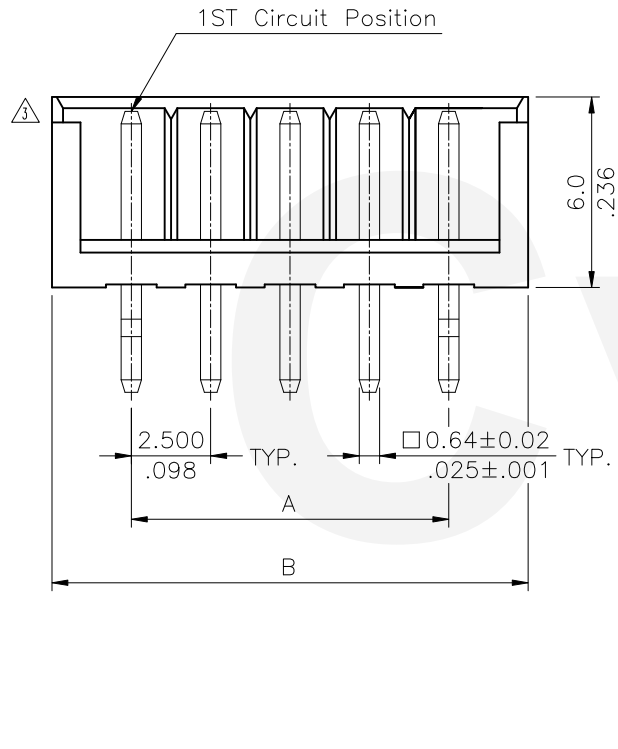


Note:

- 1. Material:
- * Insulation: Nylon 46 UL 94V-0
Color Nature
- * Contact: Brass

△ 2. For Lead Free Wave flow Process



Recommended P.C. Board Layout

Ordering Code:

CI21 ** P 1 V ** -LF
① ② ③ ④ ⑤ ⑥ ⑦

- ① Series No.
- ② No. of Circuits
- ③ Contact type: P= Pin header
- ④ Plating option:
1= 3.05μm(120μ") Min. Tin
over 0.76μm(30μ") Nickel (Mitte Tin finish)
2= Gold Flash plated over 1.27μm(50μ") Nickel
- ⑤ Type: V= Straight
- △ ⑥ Other Option: K0= With Pin Kinked(Standard)
00= Without Pin Kinked
- ⑦ -LF= For Lead Free Wave flow Process

Circuits	Dimension		
	A	B	C
2	2.50(.098)	7.5(.295)	5.70(.224)
3	5.00(.197)	10.0(.394)	8.20(.323)
4	7.50(.295)	12.5(.492)	10.70(.421)
5	10.00(.394)	15.0(.591)	13.20(.520)
6	12.50(.492)	17.5(.689)	15.70(.618)
7	15.00(.591)	20.0(.787)	18.20(.717)
8	17.50(.689)	22.5(.886)	20.70(.815)
9	20.00(.787)	25.0(.984)	23.20(.913)
10	22.50(.886)	27.5(1.083)	25.70(1.012)
11	25.00(.984)	30.0(1.181)	28.20(1.110)
12	27.50(1.083)	32.5(1.280)	30.70(1.209)
13	30.00(1.181)	35.0(1.378)	33.20(1.307)
14	32.50(1.280)	37.5(1.476)	35.70(1.406)
15	35.00(1.378)	40.0(1.575)	38.20(1.504)

Lead Free Process
RoHS Compliant

△ 4	Kenny	8/24-20'	ECNT120222		DATE	UNIT: mm / inch	TITLE: 2.50MM(.098") STRAIGHT PIN HEADERS	 瀚荃股份有限公司 CviLux Corporation
△ 3	Ellie	10/9-14'	ECNT114228/ECRB114059	DRAWN BY: Kenny	8/24-20'	TOLERANCE UNLESS OTHERWISE SPECIFIED	MATERIAL:	
△ 2	Enya	3/8-13'	ECN13056-0/ECR13007-1	ENGINEER: Sun	8/25-20'	.X ± 0.30/.012 X' ± 1'	FINISH:	
△ 1	Una	12/23-10'	ECN10408	CHECKED BY: Eisley	9/2-20'	.XX ± 0.20/.008 X' ±	DRAWING NO. CI2110SF PART NO. CI21**P*V**-LF	
SYM	NAME	DATE	REVISIONS	APPROVED BY: Eisley	9/2-20'	.XXX ± 0.10/.004 .XX' ±	SCALE 4 / 1	SHEET 1 OF 1

X-ON Electronics

Largest Supplier of Electrical and Electronic Components

Click to view similar products for [Headers & Wire Housings](#) category:

Click to view products by [Cvilux](#) manufacturer:

Other Similar products are found below :

[0015917161](#) [0022155065](#) [57102-F02-18ULF](#) [58102-G61-06LF](#) [582553-1](#) [01.001.5753.1](#) [0050291907](#) [02.125.8002.8](#) [609-3404](#) [61062-3](#)
[CSU011177004](#) [622-0430](#) [622-3653LF](#) [63453-116](#) [636-1030](#) [636-1427](#) [636-3427](#) [636-4007](#) [641938-9](#) [65495-038](#) [65692-001LF](#) [65781-018](#)
[65781-047](#) [65817-010LF](#) [65817-015LF](#) [67095-007LF](#) [67601157](#) [68631-112](#) [68645-018](#) [699319-000](#) [70.362.1628.0](#) [70-4210](#) [70-4226B](#) [70-](#)
[4853B](#) [71.350.2428.0](#) [733-134](#) [733-162](#) [760-3052](#) [MHR-64-VUAL](#) [80.063.4001.1](#) [800-90-001-10-001000](#) [801-43-002-10-013000](#)
[801-43-006-10-002000](#) [803-43-024-10-001000](#) [803-93-012-10-001000](#) [8-1437020-4](#) [819-22-004-30-001101](#) [820-22-006-30-001101](#)
[820-22-008-30-001101](#) [821-22-002-10-001101](#)