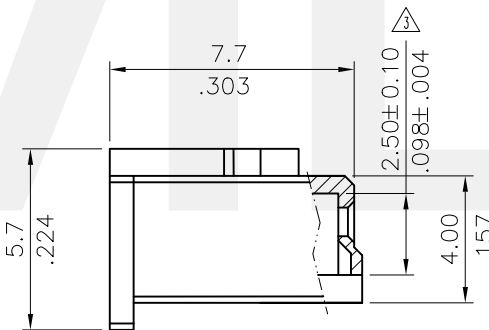
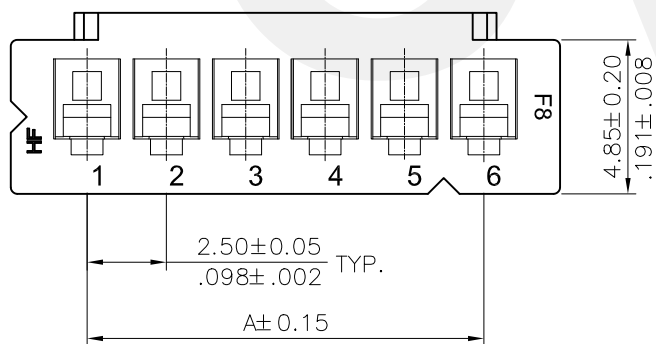
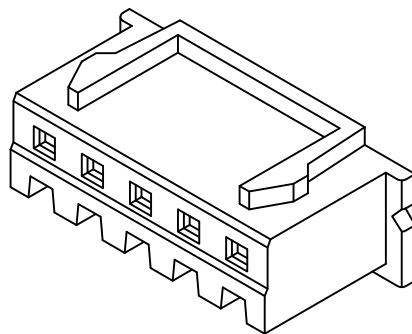
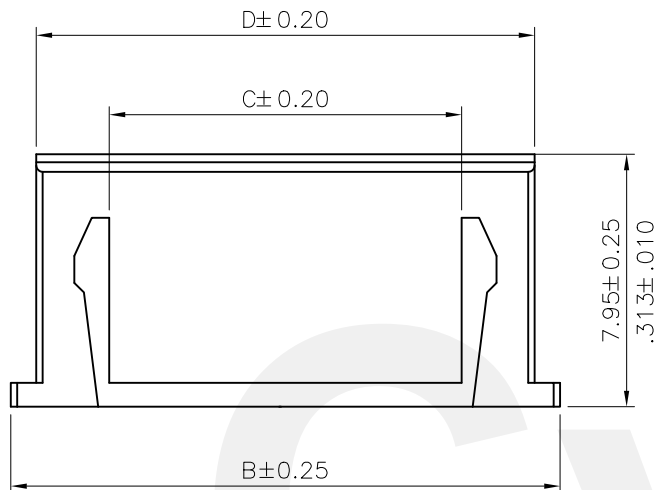


* Material: Nylon 66 UL 94V-0, Color Nature



Ordering Code:

CI22 ** S 0000
 ① ② ③ ④

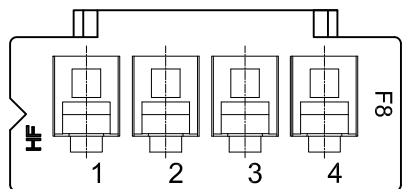
- ① Series No.
- ② No. of Circuits:
- ③ Contact type: S= Connector housing
- △④ Other options: 0000= Standard

Circuits	Dimension			
	A	B	C	D
2	2.50(.098)	7.3(.287)	1.00(.039)	5.70(.224)
3	5.00(.197)	9.8(.386)	3.50(.138)	8.20(.323)
4	7.50(.295)	12.3(.484)	6.00(.236)	10.70(.421)
5	10.00(.394)	14.8(.583)	8.50(.335)	13.20(.520)
6	12.50(.492)	17.3(.681)	11.00(.433)	15.70(.618)
7	15.00(.591)	19.8(.780)	13.50(.531)	18.20(.717)
8	17.50(.689)	22.3(.878)	16.00(.630)	20.70(.815)
9	20.00(.787)	24.8(.976)	18.50(.728)	23.20(.913)
10	22.50(.886)	27.3(1.075)	21.00(.827)	25.70(1.012)
11	25.00(.984)	29.8(1.173)	23.50(.925)	28.20(1.110)
12	27.50(1.083)	32.3(1.272)	26.00(1.024)	30.70(1.209)
13	30.00(1.181)	34.8(1.370)	28.50(1.122)	33.20(1.307)
14	32.50(1.280)	37.3(1.469)	31.00(1.220)	35.70(1.406)
15	35.00(1.378)	39.8(1.567)	33.50(1.319)	38.32(1.504)

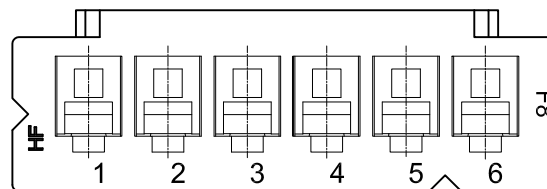
Halogen-Free RoHS compliant



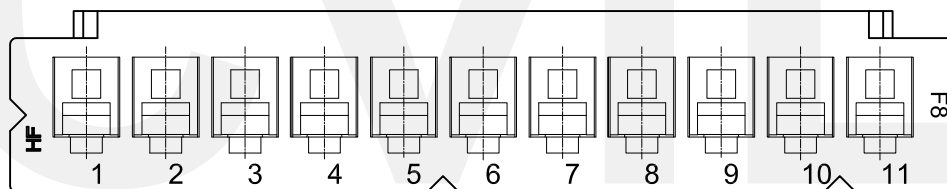
SYM	NAME	DATE	REVISIONS	APPROVED BY:	DATE	UNIT: mm / inch	TITLE: 2.50MM(.098") CRIMP TERMINAL HOUSING	DRAWING NO. CI2296SD	PART NO. CI22**S0000
△4					DATE	UNIT: mm / inch	TITLE: 2.50MM(.098") CRIMP TERMINAL HOUSING		
△3	Sun	12/24-15'	ECRB115067/ECNT115267	DRAWN BY: Sun	12/24-15'	TOLERANCE UNLESS OTHERWISE SPECIFIED			
△2	Sun	9/16-14'	ECRB114053/ECNT114195	ENGINEER: Sun	12/24-15'	.X ± 0.25 / .010 X' ± 1"	MATERIAL:		
△1	Karen	5/11-12'	ECR12033-0	CHECKED BY: Eisley	12/25-15'	.XX ± 0.15 / .006 .X' ±	FINISH:		
				APPROVED BY: Eisley	12/25-15'	.XXX ± 0.08 / .003 .XX' ±		SCALE 4 / 1	SHEET 1 OF 2



2P~4P




6P~10P



11P~15P

Halogen-Free RoHS Compliant

4					DATE	UNIT: mm / inch	TITLE: 2.50MM(.098") CRIMP TERMINAL HOUSING	 瀚荃股份有限公司 CviLux Corporation	
	3	Sun	12/24-15'	ECRB115067/ECNT115267	DRAWN BY: Sun	12/24-15'	TOLERANCE UNLESS OTHERWISE SPECIFIED		
	2	Sun	9/16-14'	ECRB114053/ECNT114195	ENGINEER: Sun	12/24-15'	.X ± 0.25 / .010 X' ± 1"		
	1	Karen	5/11-12'	ECR12033-0	CHECKED BY: Easley	12/25-15'	.XX ± 0.15 / .006 .X' ±		
SYM	NAME	DATE	REVISIONS	APPROVED BY: Easley	12/25-15'	.XXX ± 0.08 / .003 .XX' ±	FINISH:	DRAWING NO. C12296SD	PART NO. C122**S0000
SCALE		4 / 1		SHEET 2 OF 2					

X-ON Electronics

Largest Supplier of Electrical and Electronic Components

Click to view similar products for [Headers & Wire Housings](#) category:

Click to view products by [Cvilux](#) manufacturer:

Other Similar products are found below :

[0015917161](#) [0022155065](#) [57102-F02-18ULF](#) [58102-G61-06LF](#) [582553-1](#) [01.001.5753.1](#) [0050291907](#) [02.125.8002.8](#) [609-3404](#) [61062-3](#)
[CSU011177004](#) [622-0430](#) [622-3653LF](#) [63453-116](#) [636-1030](#) [636-1427](#) [636-3427](#) [636-4007](#) [641938-9](#) [65495-038](#) [65692-001LF](#) [65781-018](#)
[65781-047](#) [65817-010LF](#) [65817-015LF](#) [67095-007LF](#) [67601157](#) [68631-112](#) [68645-018](#) [699319-000](#) [70.362.1628.0](#) [70-4210](#) [70-4226B](#) [70-](#)
[4853B](#) [71.350.2428.0](#) [733-134](#) [733-162](#) [760-3052](#) [MHR-64-VUAL](#) [80.063.4001.1](#) [800-90-001-10-001000](#) [801-43-002-10-013000](#)
[801-43-006-10-002000](#) [803-43-024-10-001000](#) [803-93-012-10-001000](#) [8-1437020-4](#) [819-22-004-30-001101](#) [820-22-006-30-001101](#)
[820-22-008-30-001101](#) [821-22-002-10-001101](#)