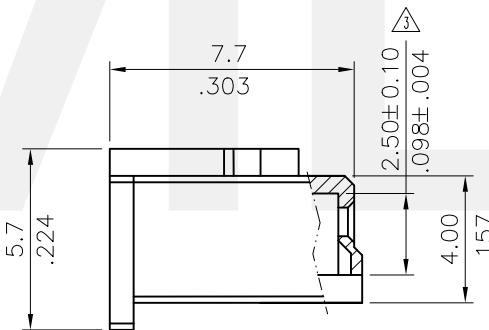
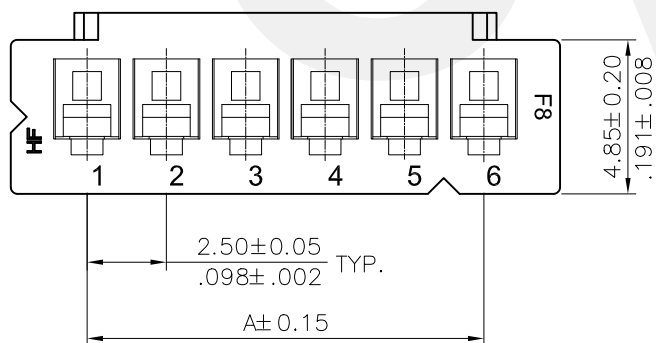
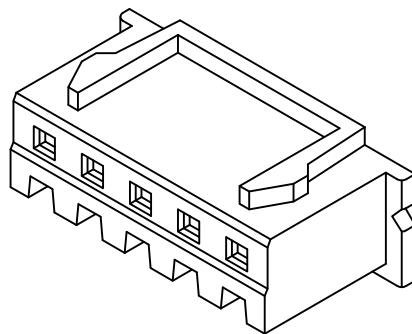
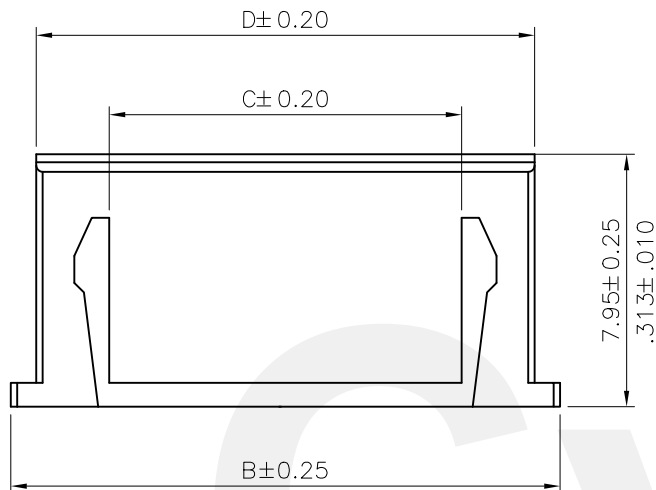


\* Material: Nylon 66 UL 94V-0, Color Nature

### Ordering Code:

$\frac{CI22}{①}$   $\frac{**}{②}$   $\frac{S}{③}$   $\frac{0000}{④}$

- ① Series No.
- ② No. of Circuits:
- ③ Contact type: S= Connector housing
- ⚠④ Other options: 0000= Standard

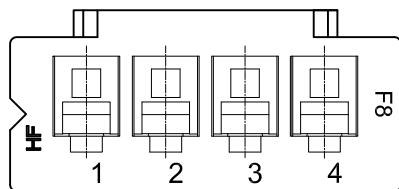


Circuits	Dimension			
	A	B	C	D
2	2.50(.098)	7.3(.287)	1.00(.039)	5.70(.224)
3	5.00(.197)	9.8(.386)	3.50(.138)	8.20(.323)
4	7.50(.295)	12.3(.484)	6.00(.236)	10.70(.421)
5	10.00(.394)	14.8(.583)	8.50(.335)	13.20(.520)
6	12.50(.492)	17.3(.681)	11.00(.433)	15.70(.618)
7	15.00(.591)	19.8(.780)	13.50(.531)	18.20(.717)
8	17.50(.689)	22.3(.878)	16.00(.630)	20.70(.815)
9	20.00(.787)	24.8(.976)	18.50(.728)	23.20(.913)
10	22.50(.886)	27.3(1.075)	21.00(.827)	25.70(1.012)
11	25.00(.984)	29.8(1.173)	23.50(.925)	28.20(1.110)
12	27.50(1.083)	32.3(1.272)	26.00(1.024)	30.70(1.209)
13	30.00(1.181)	34.8(1.370)	28.50(1.122)	33.20(1.307)
14	32.50(1.280)	37.3(1.469)	31.00(1.220)	35.70(1.406)
15	35.00(1.378)	39.8(1.567)	33.50(1.319)	38.32(1.504)

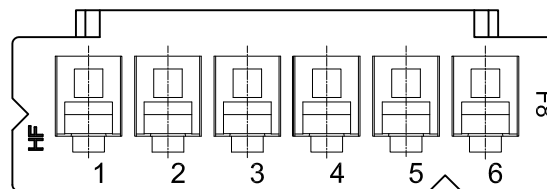
Halogen-Free RoHS compliant



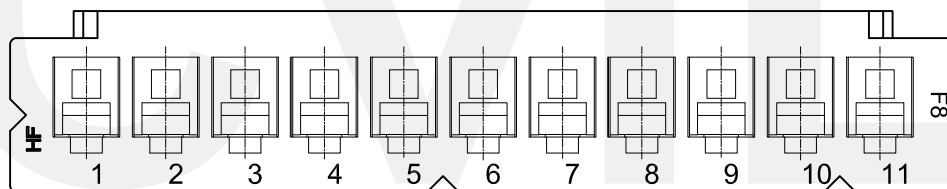
SYM	NAME	DATE	REVISIONS	APPROVED BY:	DATE	UNIT: mm / inch	TITLE: 2.50MM(.098") CRIMP TERMINAL HOUSING	DRAWING NO. CI2296SD	PART NO. CI22**S0000
④									
③	Sun	12/24-15'	ECRB115067/ECNT115267	DRAWN BY: Sun	12/24-15'	TOLERANCE UNLESS OTHERWISE SPECIFIED .X ± 0.25 / .010 X.' ± 1" .XX ± 0.15 / .006 .X' ± .XXX ± 0.08 / .003 .XX' ±	MATERIAL:	SCALE 4 / 1	SHEET 1 OF 2
②	Sun	9/16-14'	ECRB114053/ECNT114195	ENGINEER: Sun	12/24-15'				
①	Karen	5/11-12'	ECR12033-0	CHECKED BY: Eisley	12/25-15'				
				APPROVED BY: Eisley	12/25-15'				



2P~4P



6P~10P



11P~15P

Halogen-Free      RoHS Compliant

					DATE	UNIT: mm / inch	TITLE: 2.50MM(.098") CRIMP TERMINAL HOUSING	 瀚荃股份有限公司 CviLux Corporation							
		Sun	12/24-15'	ECRB115067/ECNT115267	DRAWN BY: Sun	12/24-15'	TOLERANCE UNLESS OTHERWISE SPECIFIED								
		Sun	9/16-14'	ECRB114053/ECNT114195	ENGINEER: Sun	12/24-15'	.X ± 0.25 / .010    X.' ± 1"								
		Karen	5/11-12'	ECR12033-0	CHECKED BY: Eisley	12/25-15'	.XX ± 0.15 / .006    .X' ±								
	SYM	NAME	DATE	REVISIONS	APPROVED BY: Eisley	12/25-15'	.XXX ± 0.08 / .003    .XX' ±								
<table border="1"> <tr> <td>DRAWING NO.</td> <td>C12296SD</td> <td>PART NO.</td> <td>C122**S0000</td> </tr> <tr> <td>SCALE</td> <td>4 / 1</td> <td>SHEET</td> <td>2 OF 2</td> </tr> </table>								DRAWING NO.	C12296SD	PART NO.	C122**S0000	SCALE	4 / 1	SHEET	2 OF 2
DRAWING NO.	C12296SD	PART NO.	C122**S0000												
SCALE	4 / 1	SHEET	2 OF 2												

## X-ON Electronics

Largest Supplier of Electrical and Electronic Components

*Click to view similar products for [Headers & Wire Housings](#) category:*

*Click to view products by [Cvilux](#) manufacturer:*

Other Similar products are found below :

[57102-F02-18ULF](#) [58102-G61-06LF](#) [0009485154](#) [009176003701906](#) [0050291907](#) [02.125.8002.8](#) [609-3404](#) [61062-3](#) [622-0430](#) [622-3653LF](#)  
[63453-116](#) [636-1030](#) [636-1427](#) [636-3427](#) [636-4007](#) [641938-9](#) [644827-2](#) [65495-038](#) [65692-001LF](#) [65781-018](#) [65781-047](#) [65817-010LF](#)  
[65817-015LF](#) [66207-023LF](#) [67016-026LF](#) [67095-007LF](#) [68631-112](#) [68645-018](#) [68648-049](#) [699319-000](#) [70.362.1628.0](#) [70-4210](#) [70-4226B](#)  
[70-4853B](#) [707-5020](#) [707-5028](#) [71.350.2428.0](#) [71961-016LF](#) [733-134](#) [754199-000](#) [760-3052](#) [787-8014-00](#) [FCN-367T-T012/H](#) [80.063.4001.1](#)  
[800-90-010-10-002000](#) [801-43-002-10-013000](#) [801-43-006-10-002000](#) [803-41-018-10-001000](#) [803-43-014-20-001000](#) [803-43-024-10-001000](#)