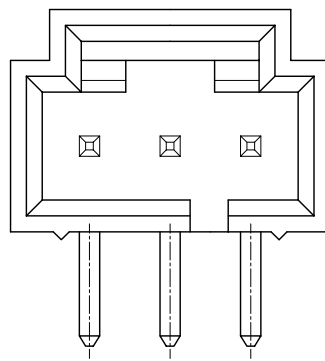
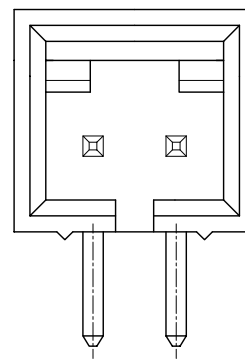


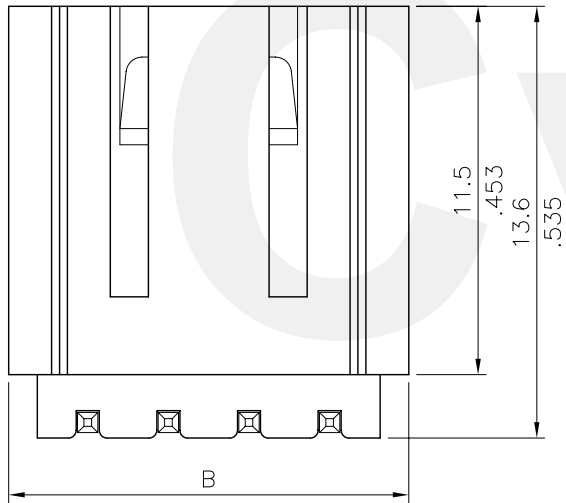
For 4 Through 18 Circuits



For 3 Circuits



For 2 Circuits

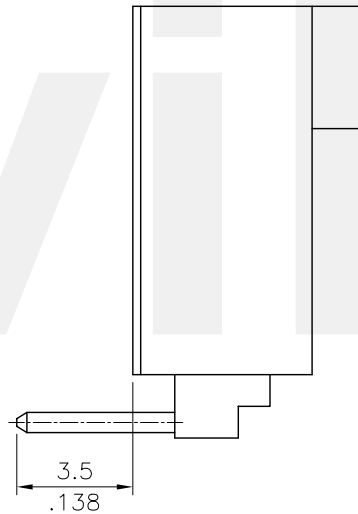


A = 2.54 x No. of Spaces

B = A + 5.1

C = A + 2.98

* Available in 2 through 18 circuits



Material:

* Insulation: Glass filled polyester UL 94V-0

* Contact: Brass

Ordering Code:

CI33 ** P 1 H 1 0
 ① ② ③ ④ ⑤ ⑥ ⑦

① Series No.

② No. of Circuits

③ Contact type: P= Pin header

④ Plating option:

1= 3.05 μ m(120 μ ") Min. Tin over 0.76 μ m(30 μ ") Nickel

2= Gold flash plated over 1.27 μ m(50 μ ") Nickel

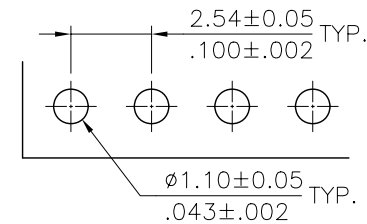
3= 0.38 μ m(15 μ ") Gold plated over 1.27 μ m(50 μ ") Nickel

4= 0.76 μ m(30 μ ") Gold plated over 1.27 μ m(50 μ ") Nickel

⑤ Tail Style: H= Right angle


⑥ Color: 1= Black

⑦ Option:



Recommended P.C. Board Layout

RoHS Compliant

④					DATE	UNIT: mm / inch	TITLE: 2.54MM(.100") RIGHT ANGLE HEADER	 瀚荃股份有限公司 CviLux Corporation
③				DRAWN BY: Eisley	05/20-02'	TOLERANCE UNLESS OTHERWISE SPECIFIED	MATERIAL:	
②				ENGINEER: David	05/20-02'	.X ± 0.30/.012 X' ± 1'	FINISH:	
①				CHECKED BY: David	05/20-02'	.XX ± 0.20/.008 X' ±	DRAWING NO. CI3302SD PART NO. CI33**P*H10	
SYM	NAME	DATE	REVISIONS	APPROVED BY: Alex	05/20-02'	.XXX ± 0.10/.004 .XX' ±	SCALE 4 / 1	SHEET 1 OF 1

X-ON Electronics

Largest Supplier of Electrical and Electronic Components

Click to view similar products for [Headers & Wire Housings](#) category:

Click to view products by [Cvilux](#) manufacturer:

Other Similar products are found below :

[57102-F02-18ULF](#) [58102-G61-06LF](#) [0009485154](#) [009176003701906](#) [0050291907](#) [02.125.8002.8](#) [609-3404](#) [61062-3](#) [622-0430](#) [622-3653LF](#)
[63453-116](#) [636-1030](#) [636-1427](#) [636-3427](#) [636-4007](#) [641938-9](#) [644827-2](#) [65495-038](#) [65692-001LF](#) [65781-018](#) [65781-047](#) [65817-010LF](#)
[65817-015LF](#) [66207-023LF](#) [67016-026LF](#) [67095-007LF](#) [68631-112](#) [68645-018](#) [68648-049](#) [699319-000](#) [70.362.1628.0](#) [70-4210](#) [70-4226B](#)
[70-4853B](#) [707-5020](#) [707-5028](#) [71.350.2428.0](#) [71961-016LF](#) [733-134](#) [754199-000](#) [760-3052](#) [787-8014-00](#) [FCN-367T-T012/H](#) [80.063.4001.1](#)
[800-90-010-10-002000](#) [801-43-002-10-013000](#) [801-43-006-10-002000](#) [803-41-018-10-001000](#) [803-43-014-20-001000](#) [803-43-024-10-001000](#)