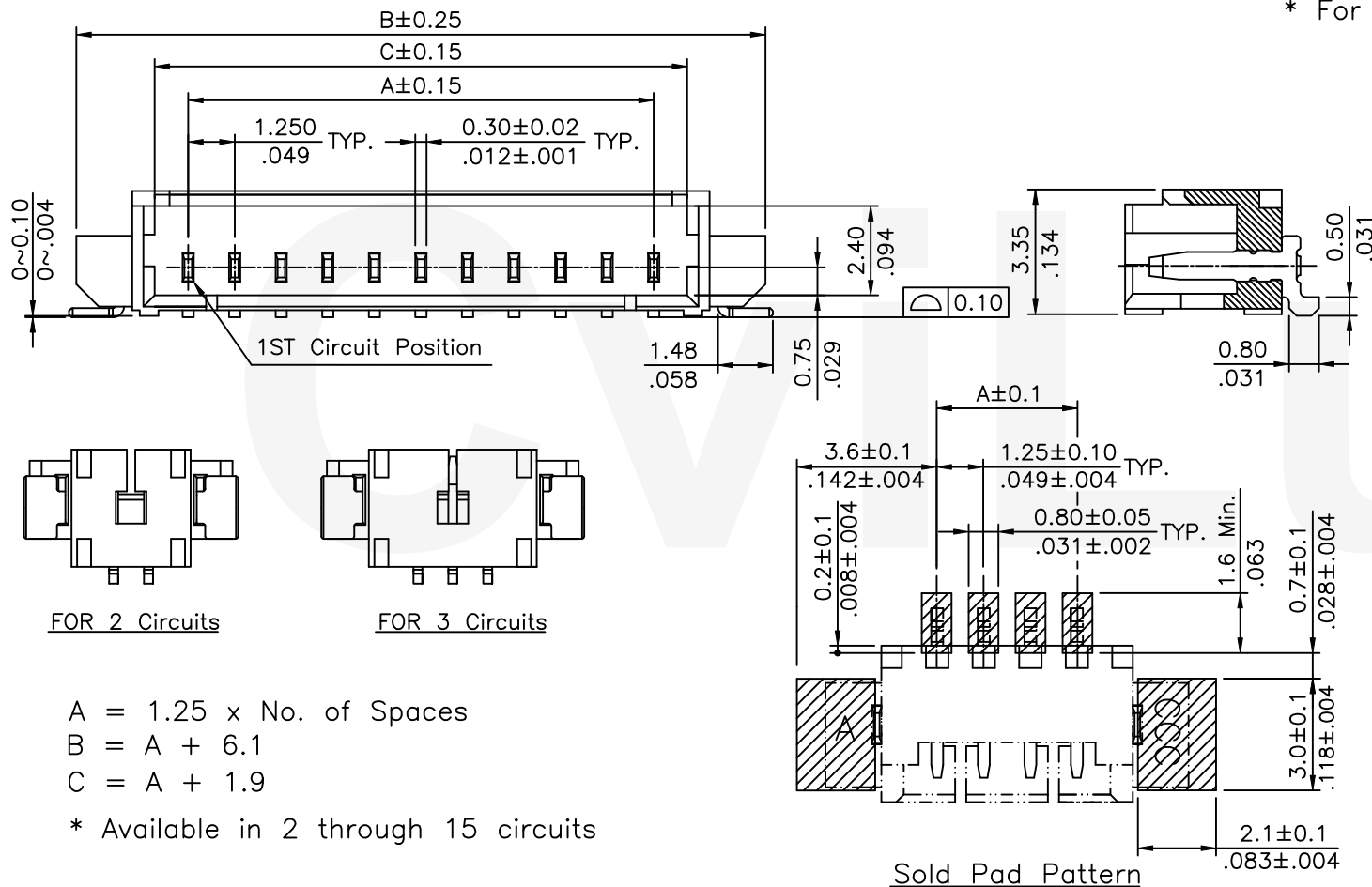


Notes :

- * Insulation: Nylon 6T UL 94V-0, Color Nature
- * Contact : Phosphor Bronze
- * Fixed Tab : Brass with Matte Tin Plated
- * Recommended mating part:
Housing: CI44**S0000-L
Terminal: CI44T011PP0
- * For Lead-Free IR Reflow process



ORDERING CODE:

CI44 ** M * H ** -NH
① ② ③ ④ ⑤ ⑥ ⑦

- ① Series No.:
- ② No. of circuits: 02 TO 15
- ③ Contacts type: M= SMT
- ④ Plating option:
1= Matte Tin Plated over Nickel
2= Gold flash plated over Nickel
- ⑤ Tail style: H= Right angle
- ⑥ Option: 00= Standard(Tube packing)
R0= Tape & Reel packing
- ⑦ Other option:
-NH=For Lead Free IR Processes and Halogen-Free

A = 1.25 x No. of Spaces
B = A + 6.1
C = A + 1.9

* Available in 2 through 15 circuits

Halogen-Free

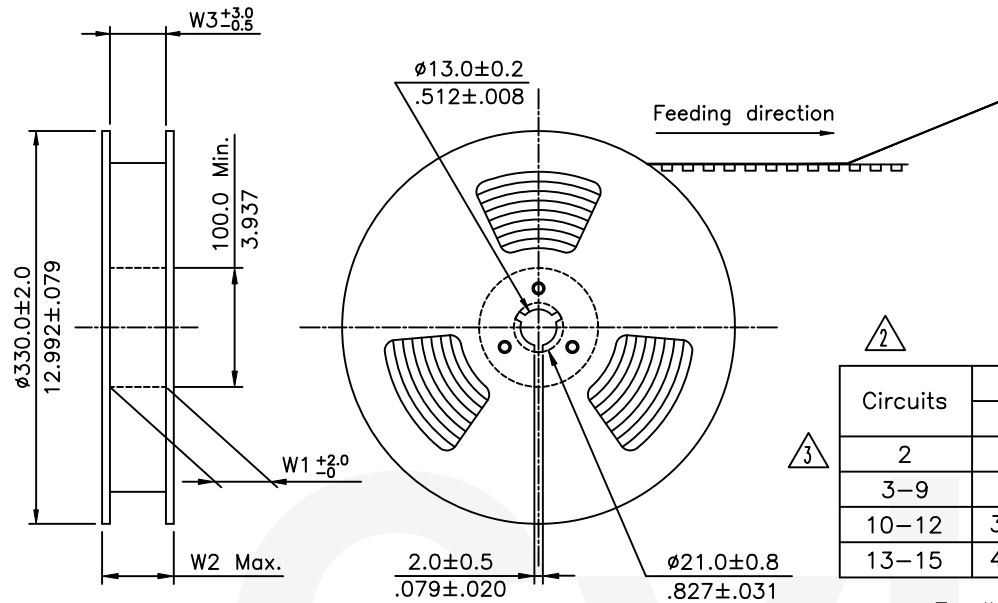
Lead Free Process

RoHS compliant

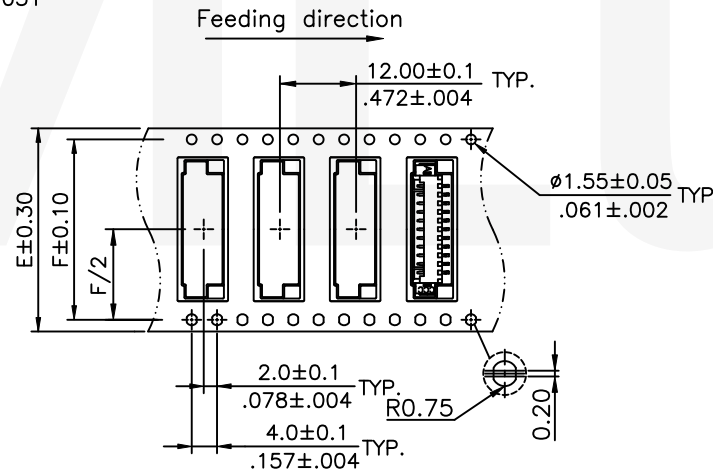
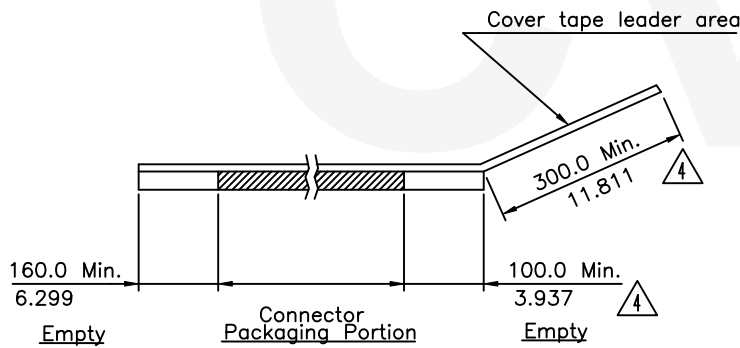
5	Sun	8/15-19'	ECNT119210		DATE	UNIT: mm / inch	TITLE: 1.25MM(.049") RIGHT ANGLE SMT TYPE HEADER	 瀚荃股份有限公司 CviLux Corporation	
4	Karen	12/09-14'	ECNT114252/ECRT114090	DRAWN BY: Sun	8/15-19'	TOLERANCE UNLESS OTHERWISE SPECIFIED	MATERIAL:		
3	Ellie	9/24-14'	ECNT114210	ENGINEER: Sun	8/15-19'	.X ± 0.25/.010 X' ± 1'	FINISH:		
2	Enya	7/26-12'	ECN12176-0 / ECR12061-1	CHECKED BY: Eisley	8/16-19'	.XX ± 0.15/.006 X'' ±	DRAWING NO. CI4447SF		
SYM	NAME	DATE	REVISIONS	APPROVED BY: Eisley	8/16-19'	.XXX ± 0.08/.003 XX'' ±	PART NO. CI44**M*H**-NH		
								SCALE 5 / 1	SHEET 1 OF 2

NOTE :

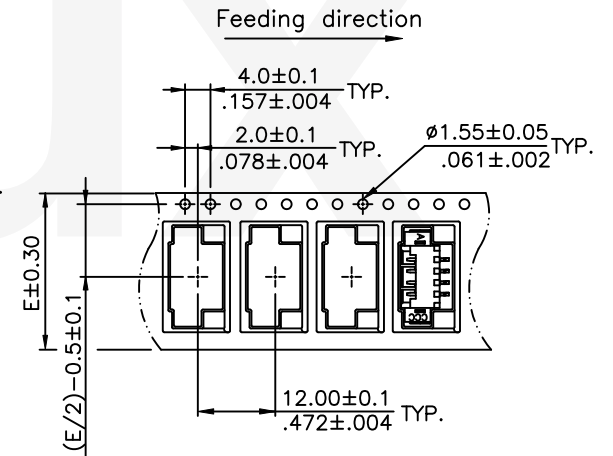
- △ * Reel Material : Corrugated Paper
- * Carrier Material : Clear, Conductive Polystyrene Alloy
- * Cover Tape Material : Polyester
- * Cover Tape Peel Strength : 0.1N – 1.3N
- * Carrier camber is within 1mm in 100mm
- * All dimensions meet EIA-481-2 & EIA-481-3 requirements.
- * Quantity : 1400 PCS/Reel



Circuits	Dimension					Packing (Reel/Carton)
	E	F	W1	W2	W3	
2	16.0(.630)	---	16.5(.650)	22.5(.886)	16.5(.650)	11
3-9	24.0(.945)	---	24.5(.965)	30.5(1.201)	24.5(.965)	9
10-12	32.0(1.260)	28.40(1.118)	32.5(1.280)	38.5(1.516)	32.5(1.280)	7
13-15	44.0(1.732)	40.40(1.591)	44.5(1.752)	50.5(1.988)	44.5(1.752)	5



WIDTH : 32,44 mm Carrier



WIDTH : 16,24 mm Carrier

RoHS Compliant

SYM	NAME	DATE	REVISIONS	APPROVED BY:	DATE	UNIT: mm / inch	TITLE: 1.25MM(.049") RIGHT ANGLE SMT TYPE HEADER	MATERIAL:	FINISH:	DRAWING NO.	C14447SF	PART NO.	C144**M*H**-NH	SHEET 2 OF 2
5	Sun	8/15-19'	ECNT119210		DATE	UNIT: mm / inch	TITLE: 1.25MM(.049") RIGHT ANGLE SMT TYPE HEADER							
4	Karen	12/09-14'	ECNT114252/ECRT114090	DRAWN BY:	Sun	8/15-19'	TOLERANCE UNLESS OTHERWISE SPECIFIED							
3	Ellie	9/24-14'	ECNT114210	ENGINEER:	Sun	8/15-19'	.X ±	X' ± 1'						
2	Enya	7/26-12'	ECN12176-0 / ECR12061-1	CHECKED BY:	Eisley	8/16-19'	.XX ±	X' ±						
				APPROVED BY:	Eisley	8/16-19'	.XXX ±	.XX' ±						



瀚荃股份有限公司
CviLux Corporation

X-ON Electronics

Largest Supplier of Electrical and Electronic Components

Click to view similar products for [Headers & Wire Housings](#) category:

Click to view products by [Cvilux](#) manufacturer:

Other Similar products are found below :

[57102-F02-18ULF](#) [58102-G61-06LF](#) [0009485154](#) [009176003701906](#) [0050291907](#) [02.125.8002.8](#) [609-3404](#) [61062-3](#) [622-0430](#) [622-3653LF](#)
[63453-116](#) [636-1030](#) [636-1427](#) [636-3427](#) [636-4007](#) [641938-9](#) [644827-2](#) [65495-038](#) [65692-001LF](#) [65781-018](#) [65781-047](#) [65817-010LF](#)
[65817-015LF](#) [66207-023LF](#) [67016-026LF](#) [67095-007LF](#) [68631-112](#) [68645-018](#) [68648-049](#) [699319-000](#) [70.362.1628.0](#) [70-4210](#) [70-4226B](#)
[70-4853B](#) [707-5020](#) [707-5028](#) [71.350.2428.0](#) [71961-016LF](#) [733-134](#) [754199-000](#) [760-3052](#) [787-8014-00](#) [FCN-367T-T012/H](#) [80.063.4001.1](#)
[800-90-010-10-002000](#) [801-43-002-10-013000](#) [801-43-006-10-002000](#) [803-41-018-10-001000](#) [803-43-014-20-001000](#) [803-43-024-10-001000](#)