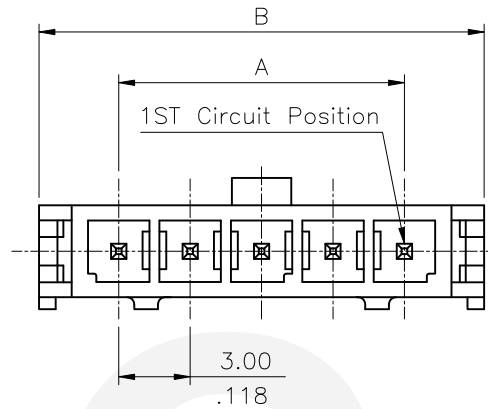


Ordering Code:

CP35 ** P * V 0 0 - S - LF
 ① ② ③ ④ ⑤ ⑥ ⑦ ⑧ ⑨

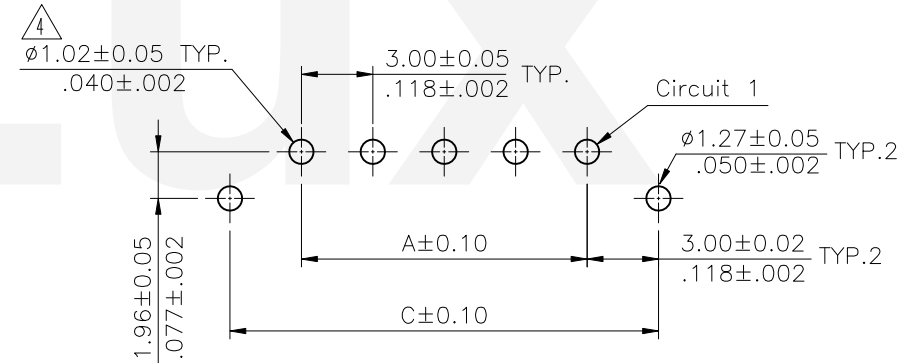
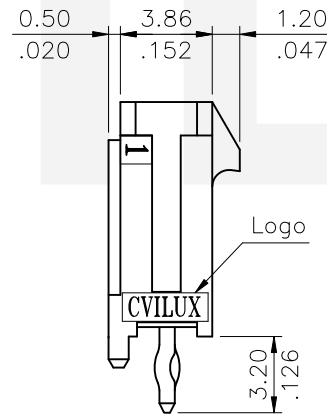
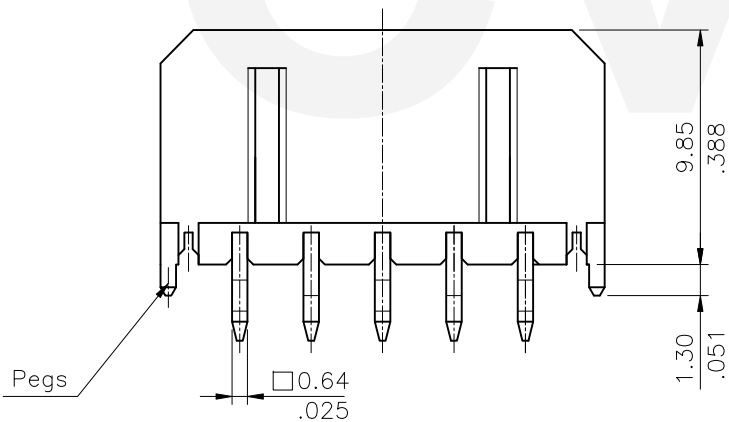
Material:

- △ * Insulation: High Temperature Plastic
UL 94V-0, Color Black
- * Contact: Brass



- ① Series No.
- ② No. of Circuits: 02~12
- ③ Contact type: P = Plug
- ④ Contact plated:
 - 1= Matte Tin over Nickel
 - 2= Gold flash plated over 50μ" Nickel
 - 3= 15μ" Gold plated over 50μ" Nickel
 - 4= 30μ" Gold plated over 50μ" Nickel
- ⑤ V= Straight
- ⑥ Mount type : 0= DIP Type
- ⑦ Other options: 0= With pegs(Standard)
- ⑧ S= Single Row Header
- ⑨ LF= Lead Free soldering process

CIRCUITS	DIM.A	DIM.B	DIM.C
2	3.00(.118)	9.65(.380)	9.0(.354)
3	6.00(.236)	12.65(.498)	12.0(.472)
4	9.00(.354)	15.65(.616)	15.00(.591)
5	12.00(.472)	18.65(.734)	18.00(.709)
6	15.00(.591)	21.65(.852)	21.00(.827)
7	18.00(.709)	24.65(.970)	24.00(.945)
8	21.00(.827)	27.65(1.089)	27.00(1.063)
9	24.00(.945)	30.65(1.207)	30.00(1.181)
10	27.00(1.063)	33.65(1.325)	33.00(1.299)
11	30.00(1.181)	36.65(1.443)	36.0(1.417)
12	33.00(1.299)	39.65(1.561)	39.0(1.535)



△ Recommended P.C. Board layout

Lead Free Process

RoHS Compliant

SYM	NAME	DATE	REVISIONS	APPROVED BY:	DATE	UNIT: mm / inch	TITLE: 3.00mm PITCH STRAIGHT HEADER POWER CONNECTOR	MATERIAL:	FINISH:	DRAWING NO.	CP3565SD	PART NO.	CP35**P*V00-S-LF
△4	Kenny	8/20-20'	ECNT120218		DATE	UNIT: mm / inch	TITLE: 3.00mm PITCH STRAIGHT HEADER POWER CONNECTOR						
△3	Yushu	4/11-19'	ECRB118091/ECNT119092	DRAWN BY: Kenny	8/20-20'	TOLERANCE UNLESS OTHERWISE SPECIFIED							
△2	Karen	7/16-09'	ECN09363	ENGINEER: Sun	8/25-20'	.X ± 0.30/.012 X' ± 1'							
△1	Eager	10/04-07'	ECN07414	CHECKED BY: Easley	8/25-20'	.XX ± 0.20/.008 X' ±							
				APPROVED BY: Easley	8/25-20'	.XXX ± 0.10/.004 XX' ±							
										SCALE	3 / 1	SHEET	1 OF 1



瀚荃股份有限公司
CviLux Corporation

X-ON Electronics

Largest Supplier of Electrical and Electronic Components

Click to view similar products for [Headers & Wire Housings](#) category:

Click to view products by [Cvilux](#) manufacturer:

Other Similar products are found below :

[57102-F02-18ULF](#) [58102-G61-06LF](#) [582553-1](#) [009176003701906](#) [0050291907](#) [02.125.8002.8](#) [609-3404](#) [61062-3](#) [622-0430](#) [622-3653LF](#)
[63453-116](#) [636-1030](#) [636-1427](#) [636-3427](#) [636-4007](#) [641938-9](#) [65495-038](#) [65692-001LF](#) [65781-018](#) [65781-047](#) [65817-010LF](#) [65817-015LF](#)
[66207-023LF](#) [67016-026LF](#) [67095-007LF](#) [68631-112](#) [68645-018](#) [68648-049](#) [699319-000](#) [M90C108951C](#) [70.362.1628.0](#) [70-4210](#) [70-4226B](#)
[70-4853B](#) [707-5020](#) [707-5028](#) [71.350.2428.0](#) [71961-016LF](#) [733-134](#) [754199-000](#) [760-3052](#) [787-8014-00](#) [FCN-367T-T012/H](#)
[80.063.4001.1](#) [800-90-001-10-001000](#) [801-43-002-10-013000](#) [801-43-006-10-002000](#) [803-41-018-10-001000](#) [803-43-014-20-001000](#)
[803-43-024-10-001000](#)