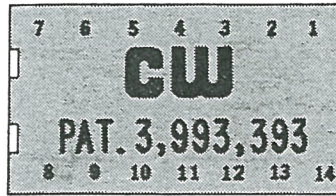
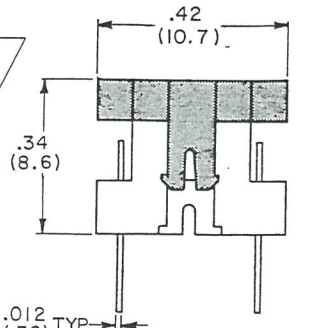
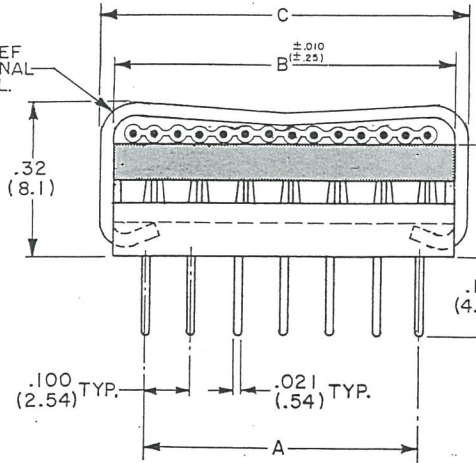


**DIP CONNECTOR** (  $\frac{.300}{.762}$  CENTERS )

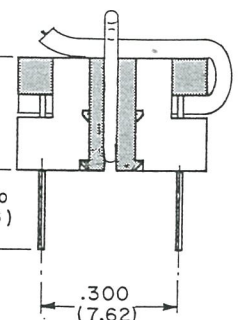
NOTCHED CORNER ORIENTS No.1 CONTACT LOCATION.  
(14 CONTACT POSITIONS SHOWN; ALSO AVAILABLE  
WITH 16 POSITIONS.)



STRAIN RELIEF STRAP OPTIONAL  
STEEL-TIN PL.



CONNECTOR COVER SHOWN  
IN OPEN POSITION



CONNECTOR COVER SHOWN  
IN CLOSED POSITION

CONNECTOR DIMENSIONS			
No. of SOLDER POSTS	A	B	C
14	.60 (15.2)	.754 (19.2)	.81 (20.6)
16	.70 (17.8)	.854 (21.7)	.91 (23.1)

DIMENSIONS IN INCHES (MILLIMETERS)  
DO NOT SCALE DRAWING .....

Dwg. No.  
**CWR-130-XX-0000**

**NOTES:**

1. Dimensions are in inches; dimensions ( ) are in millimeters.
2. Metric equivalents are given for general information only and are based upon 1.00 inches = (25.4) millimeters.
3. Unless otherwise specified, tolerances are  $\pm .005$  (.13) for three place decimals and  $\pm .01$  (.3) for two place decimals.

**MATERIALS:**

PLASTIC PARTS - UL94V-O Thermoplastic (blue), flame retardant.  
CONTACTS - Phosphor bronze, std.  
CONTACT PLATING - .000010 gold over .000050 nickel, std.

**OPERATING STANDARDS:**

TEMPERATURE RATING - 125°C.  
CONTACT RATING - 1 Ampere.  
DIELECTRIC STRENGTH - Over 500 V.D.C. at sea level.  
CONDUCTORS ACCEPTED - 28-30 AWG solid or stranded.

**CUSTOMER DRAWING**

FORM-B3	REVISIONS
0	RELEASED. LW 3-05-82
1	REDRAWN, ADDED CUSTOMER DWG. & NEW FORMAT 'B'. DCW 3-21-97 <i>GG. MAR 25 1997</i>

**ATTENTION**  
THIS DRAWING AND ITS ATTACHMENTS, IF ANY, ARE PROPRIETARY TO CW INDUSTRIES AND DESCRIBE DESIGNS THAT ARE CONFIDENTIAL AND MUST NOT BE DISCLOSED UNLESS AUTHORIZED, IN WRITING, BY AN OFFICER OF CW INDUSTRIES.....

**CW INDUSTRIES**  
Southampton, Pa. 18966

TOLERANCES UNLESS OTHERWISE SPECIFIED	
2 Place Decimal $\pm .010$	METRIC
3 Place Decimal $\pm .005$	1 Place Dec. $\pm .25$ mm
Angles ..... $\pm 1'$	2 Place Dec. $\pm .13$ mm

Made for: CW IND.  
Drawn by: DGW 3-21-97  
Checked by: *G. GOLD 3-24-97*  
Approval: *A. HOSFIELD 3-25-97*

Title: DIP CONNECTOR  
NO. CONTS. PER  
CONN. DIM. CHART  
W/.175" SOLDER POSTS

Division:  
CONNECTOR

Dwg. No.  
**CWR-130-XX-0000**

**MASTER**

## X-ON Electronics

Largest Supplier of Electrical and Electronic Components

*Click to view similar products for [Headers & Wire Housings](#) category:*

*Click to view products by [CW Industries](#) manufacturer:*

Other Similar products are found below :

[892-18-020-10-001101](#) [58102-G61-06LF](#) [582553-1](#) [0009485154](#) [009176003701906](#) [0050291907](#) [LY20-4P-DT1-P1E-BR](#) [02.125.8002.8](#)  
[609-3404](#) [61062-3](#) [61082-181009](#) [622-3653LF](#) [63453-116](#) [636-1030](#) [636-1427](#) [636-3427](#) [636-4007](#) [641938-9](#) [641991-4](#) [644827-2](#) [65817-](#)  
[010LF](#) [65817-015LF](#) [65863-015LF](#) [66207-023LF](#) [67095-007LF](#) [67601157](#) [68645-018](#) [68648-049](#) [70.362.1628.0](#) [70-4210](#) [70-4226B](#) [70-](#)  
[4853B](#) [707-5020](#) [707-5028](#) [71.350.2428.0](#) [71918-208LF](#) [71961-016LF](#) [733-134](#) [733-162](#) [754199-000](#) [760-3052](#) [787-8014-00](#) [79531-3000](#)  
[FCN-360C032-B](#) [FCN-367T-T012/H](#) [FCN-723D010/2](#) [80.063.4001.1](#) [800-90-001-10-001000](#) [800-90-010-10-002000](#) [801-43-002-10-013000](#)