

DIMENSIONS IN INCHES (MILLIMETERS)
DO NOT SCALE DRAWING

Dwg. No.

CWR-180-XX-0000

NOTES:

1. Dimensions are in inches; dimensions in () are millimeters.
2. Metric equivalents are given for general information only, and are based upon 1.00 inches equals (25.4) millimeters.
3. Unless otherwise specified, tolerances are $\pm .005$ (.13) for three place decimals, and $\pm .01$ (.3) for two place decimals.

MATERIALS:

PLASTIC PARTS - UL94V-0 thermoplastic (blue, standard) flame retardant.

CONTACTS - Phosphor bronze.

CONTACT PLATING- Selective gold plating, .000010 (min.) gold in mating area and .000100(min.) Tin Plating on the termination end, All over .000050 (min.) nickel.

OPERATING STANDARDS:

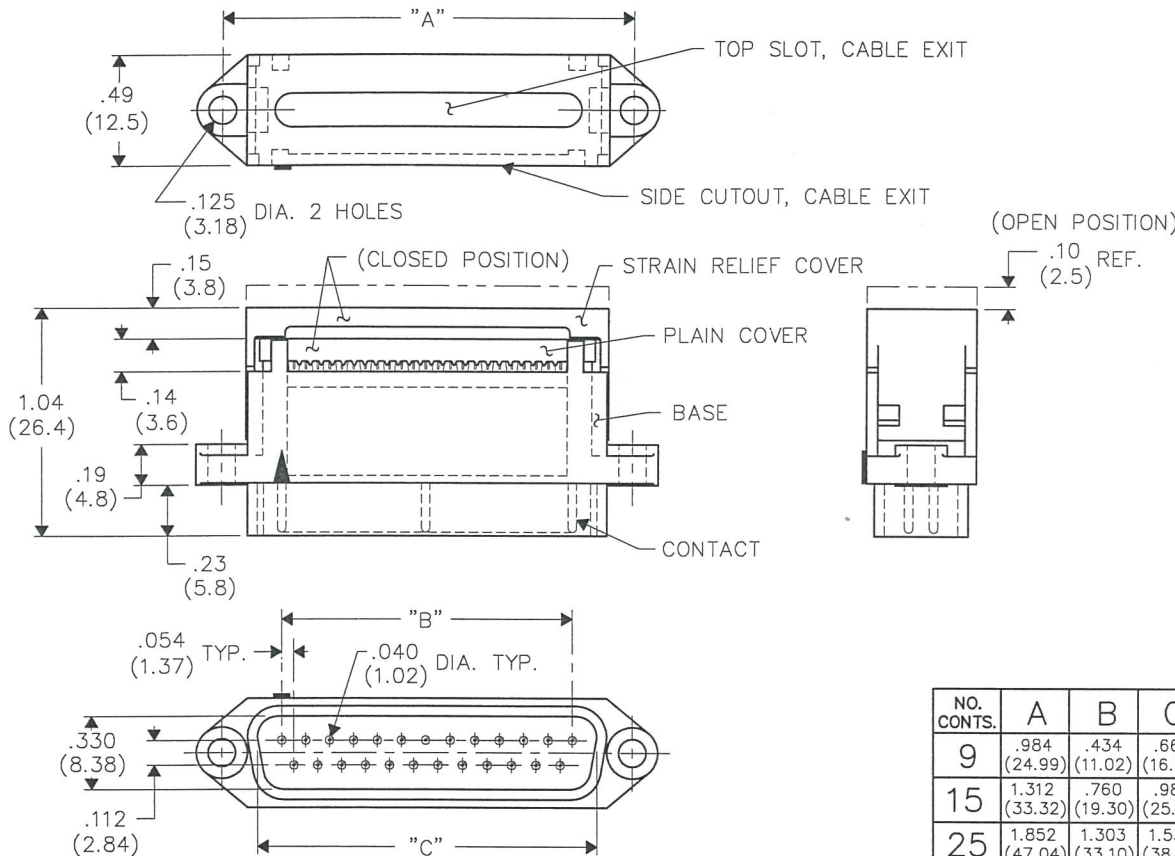
TEMPERATURE RATING - 120° C

CONTACT RATING - 1 ampere.

DIELECTRIC STRENGTH - Over 500V.D.C. at sea level.

CONDUCTORS ACCEPTED - 28-30 AWG solid or stranded.

INSULATION RESISTANCE - Greater than 5×10^9 ohms.



NO. CONTS.	A	B	C
9	.984 (24.99)	.434 (11.02)	.660 (16.76)
15	1.312 (33.32)	.760 (19.30)	.986 (25.04)
25	1.852 (47.04)	1.303 (33.10)	1.530 (38.86)
37	2.500 (63.50)	1.955 (49.66)	2.182 (55.42)

CUSTOMER DRAWING

FORM-B

REVISIONS

REV.	DATE	DESCRIPTION
0	6-21-95	RELEASED
1	JUN 23 1995	TIN-LEAD WAS REMOVED & TIN-PLATING WAS ADDED IN CONTACT PLATING.
	APR 03 2006	G.G.

ATTENTION

THIS DRAWING AND ITS ATTACHMENTS, IF ANY, ARE PROPRIETARY TO CW INDUSTRIES AND DESCRIBE DESIGNS THAT ARE CONFIDENTIAL AND MUST NOT BE DISCLOSED UNLESS AUTHORIZED, IN WRITING, BY AN OFFICER OF CW INDUSTRIES.....

CW INDUSTRIES
Southampton, Pa. 18966

Title:

PLASTIC
"D" CONNECTOR
(RECEPTACLE)
MALE CONTACTS

TOLERANCES UNLESS OTHERWISE SPECIFIED
2 Place decimal $\pm .010$ METRIC
3 Place decimal $\pm .005$ 1 Place dec. $\pm .25$ mm
Angles $\pm 1^\circ$ 2 Place dec. $\pm .13$ mm

Made for: CW IND.

Division:

CONNECTOR

Drawn by: DGW 6-21-95

Dwg. No.

CWR-180-XX-0000

Checked by: G.G. 6-23-95

Approval: A.HOSFIELD 6-23-95

MASTER

X-ON Electronics

Largest Supplier of Electrical and Electronic Components

Click to view similar products for [D-Sub Standard Connectors](#) category:

Click to view products by [CW Industries](#) manufacturer:

Other Similar products are found below :

[56F711-015](#) [012-9507-004](#) [LV242999-142T12](#) [015-0341-000](#) [015-0349-000](#) [015-0372-005](#) [015-0372-008](#) [015-8755-001](#) [020419-0104](#) [012-0467-000](#) [012-0515-000](#) [012-9507-034](#) [012-9507-114](#) [020745-0008](#) [609-25P](#) [M24308315F](#) [CT2-14S-2PCA34](#) [CT2-18-11PCAU](#) [CT2-36-15SC](#) [CT6-14S-2SC](#) [CT6E14SA7SC](#) [CT6E22-14PC](#) [CT6E22-14PS](#) [CT6E22-22PS](#) [M83513/01-FC](#) [M85049/48-3-2F](#) [6STD09PCM99B70X](#) [6STD09SCM99B30X](#) [6STD09SCT99S40X](#) [6STD15PCT99S40X](#) [6STD15SCM99B30X](#) [6STD15SCT99S40X](#) [6STF09PCM05B70X](#) [7-135760-9](#) [MC11E-10-6SN](#) [747552-3](#) [MD1-21PS](#) [MDM-15SCBRM7-F222](#) [MDM96517-699](#) [MDM96521-744](#) [MDVB1-21SL1](#) [MIK0-1-7SH003](#) [MIKQ6-7SH076](#) [MIKQ7-7PH077](#) [MIKQ7-7PH11](#) [MIKQ7-7PH32](#) [MIKQ9-7PH003](#) [MJSV-28SL61](#) [MKJ4A1F14-55S](#) [8-135760-3](#)