

Specifications and Ordering Information

Specifications



- Contacts: phosphor bronze, standard; bare CDA 725, optional
- Contact Plating: 30 μ in. gold (in mating area) over 50 μ in. nickel, standard; 10 μ in. gold (in mating area) over 50 μ in. nickel, optional; 50 μ in. gold, (in mating area) over 50 μ in. nickel, optional; 100 μ in. 60/40 tin-lead optional.
- Insulator Material: UL 94V-0 flame-retardant thermoplastic
- Strain Relief Strap Material: insulated stainless steel

- Color: blue
- Operating Temperature: -55°C to +125°C
- Current Rating: 1 A (maximum) per contact
- Dielectric Withstand Voltage: greater than 500 Vdc at sea level
- Insulation Resistance: greater than 5 x 10⁹ ohms
- Withdrawal force 2-8 oz/contact, typical
- Cover pull-off force 8 oz/contact minimum (force along contacts' primary axes)

How to Order Socket Connectors

CWR-XXX-XX-00XX

Type of Connector

- 210 = Socket connector with strain relief (standard)
- 220 = Socket connector without strain relief (standard)
- 217 = Socket connector with central polarizing key and strain relief
- 227 = Socket connector with central polarizing key, but without strain relief.

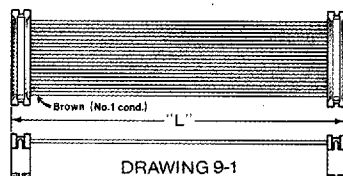
Number of Contacts
(10, 14, 16, 20, 26, 34, 40, 50, or 60)

Plating

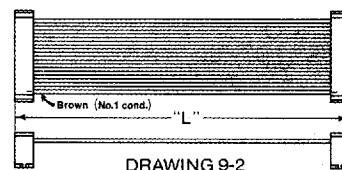
- 0021 = 30 μ in. gold (in mating area) over 50 μ in. nickel (standard)
- 0000 = 10 μ in. gold (in mating area) over 50 μ in. nickel
- 0022 = 50 μ in. gold (in mating area) over 50 μ in. nickel. Mil-C-83503/7 approved, CWR-210 versions only
- 0003 = 100 μ in. tin-lead

How to Order Socket Cable Assemblies

Cable assemblies with two socket connectors on a prescribed length of color-coded cable are available with the connectors oriented per drawings 9-1 or 9-2. (#1 contacts oriented on brown conductor.) For other lengths, orientations, numbers or combinations of connectors, contact the factory or your local value-added distributor.



DRAWING 9-1



DRAWING 9-2

CA-XX-9X0X

Number of Conductors
(10, 14, 16, 20, 26, 34, 40, 50, or 60)

Type of Connectors

- 2 = Socket Connectors with strain relief, CWR-210-XX-0021 (see drawing 9-1)
- 3 = Socket Connectors without strain relief, CWR-220-XX-0021 (see drawing 9-2)

Final assembly length "L"

- 1 = 3" \pm 1/8"
- 2 = 6" \pm 1/8"
- 3 = 12" \pm 1/4"
- 4 = 24" \pm 1/4"
- 5 = 48" \pm 1/4"

REVISIONS	Tolerances unless otherwise specified: 2 PLACE DEC. \pm .010 3 PLACE DEC. \pm .005 ANGLES \pm 1°	CW INDUSTRIES 130 James Way Southampton, PA 18966
	L. Webber DRAWN BY <i>LM</i>	
	CHECKED BY <i>MLF</i>	PART NO.
	ENG. APPR.	

Sockets

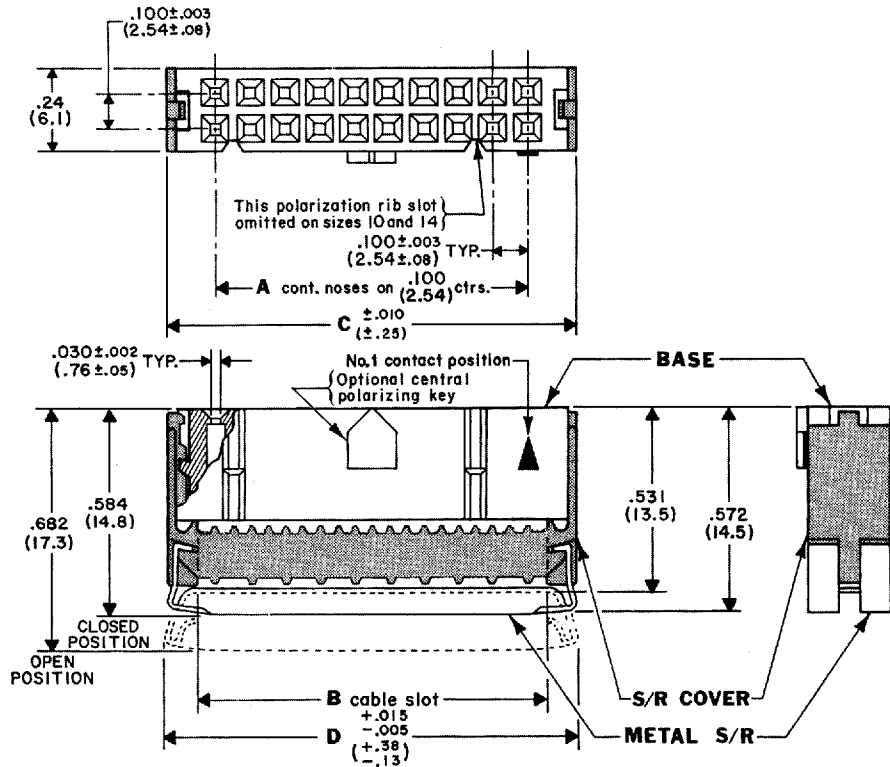
Engineering Dimensions

Dimensions

Socket Connector with Metal Strain Relief Strap

CONNECTOR DIMENSIONS

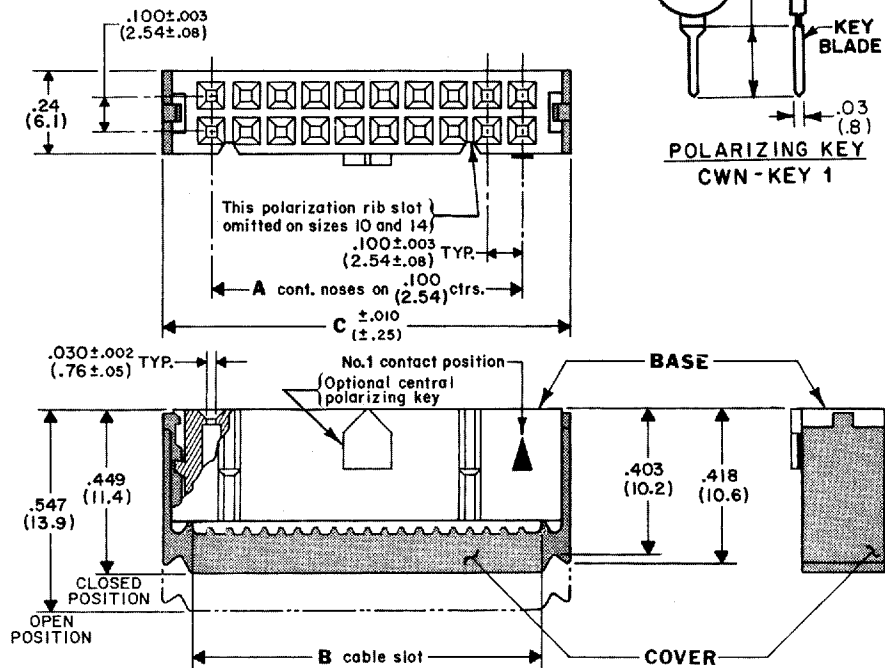
No. Confs.	A	B	C	D
10	.400 (10.16)	.515 (13.08)	.677 (17.20)	.690 (17.53)
14	.600 (15.24)	.715 (18.16)	.877 (22.28)	.890 (22.61)
16	.700 (17.78)	.815 (20.70)	.977 (24.82)	.990 (25.15)
20	.900 (22.86)	1.015 (25.78)	1.177 (29.90)	1.190 (30.23)
26	1.200 (30.48)	1.315 (33.40)	1.477 (37.52)	1.490 (37.85)
34	1.600 (40.64)	1.715 (43.56)	1.877 (47.68)	1.890 (48.01)
40	1.900 (48.26)	2.015 (51.18)	2.177 (55.30)	2.190 (55.63)
50	2.400 (60.96)	2.515 (63.88)	2.677 (68.00)	2.690 (68.33)
60	2.900 (73.66)	3.015 (76.58)	3.177 (80.70)	3.190 (81.03)



Socket Connector with Non-Strain Relief Cover

CONNECTOR DIMENSIONS

No. Confs.	A	B	C
10	.400 (10.16)	.515 (13.08)	.677 (17.20)
14	.600 (15.24)	.715 (18.16)	.877 (22.28)
16	.700 (17.78)	.815 (20.70)	.977 (24.82)
20	.900 (22.86)	1.015 (25.78)	1.177 (29.90)
26	1.200 (30.48)	1.315 (33.40)	1.477 (37.52)
34	1.600 (40.64)	1.715 (43.56)	1.877 (47.68)
40	1.900 (48.26)	2.015 (51.18)	2.177 (55.30)
50	2.400 (60.96)	2.515 (63.88)	2.677 (68.00)
60	2.900 (73.66)	3.015 (76.58)	3.177 (80.70)



X-ON Electronics

Largest Supplier of Electrical and Electronic Components

Click to view similar products for [Headers & Wire Housings](#) category:

Click to view products by [CW Industries](#) manufacturer:

Other Similar products are found below :

[892-18-020-10-001101](#) [58102-G61-06LF](#) [582553-1](#) [0009485154](#) [009176003701906](#) [0050291907](#) [LY20-4P-DT1-P1E-BR](#) [02.125.8002.8](#)
[609-3404](#) [61062-3](#) [61082-181009](#) [622-3653LF](#) [63453-116](#) [636-1030](#) [636-1427](#) [636-3427](#) [636-4007](#) [641938-9](#) [641991-4](#) [644827-2](#) [65817-](#)
[010LF](#) [65817-015LF](#) [65863-015LF](#) [66207-023LF](#) [67095-007LF](#) [67601157](#) [68645-018](#) [68648-049](#) [70.362.1628.0](#) [70-4210](#) [70-4226B](#) [70-](#)
[4853B](#) [707-5020](#) [707-5028](#) [71.350.2428.0](#) [71918-208LF](#) [71961-016LF](#) [733-134](#) [733-162](#) [754199-000](#) [760-3052](#) [787-8014-00](#) [79531-3000](#)
[FCN-360C032-B](#) [FCN-367T-T012/H](#) [FCN-723D010/2](#) [80.063.4001.1](#) [800-90-001-10-001000](#) [800-90-010-10-002000](#) [801-43-002-10-013000](#)