

DIMENSIONS IN INCHES (MILLIMETERS)  
DO NOT SCALE DRAWING .....

Dwg. No.

CWR-220-XX-0000

**NOTES:**

1. Dimensions are in inches; dimensions in ( ) are in millimeters.
2. Metric equivalents are given for general information only, and are based upon 1.00 inches equals (25.4) millimeters.
3. Unless otherwise specified, tolerance are  $\pm 0.005$  ( $\pm 0.13$ ) for three place decimals, and  $\pm 0.01$  ( $\pm 0.3$ ) for two place decimals.
4. Polarization rib slot (RS-2) omitted in size 10 and 14 connectors.

**MATERIALS:**

PLASTIC PARTS - UL94V-0 flame retardant thermoplastic.

COLOR - Blue.

CONTACTS - Phosphor bronze alloy.

CONTACT PLATING - Selective Gold Plating .000010(min.) Gold over .000050 Nickel in Mating area and Gold Flash over .000050 Nickel in remaining area.

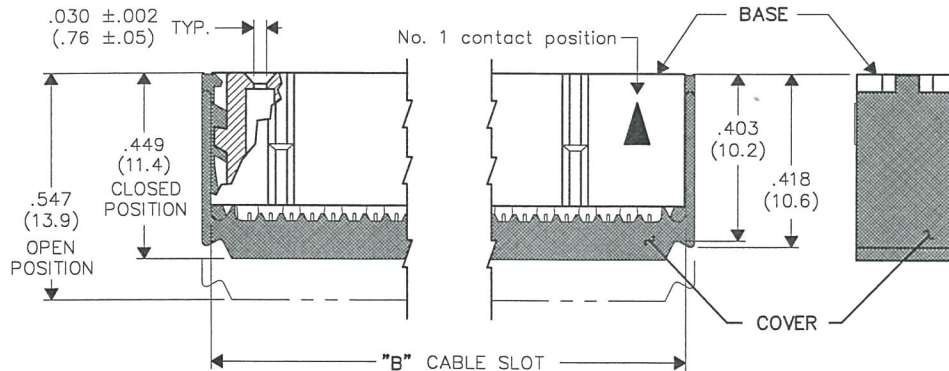
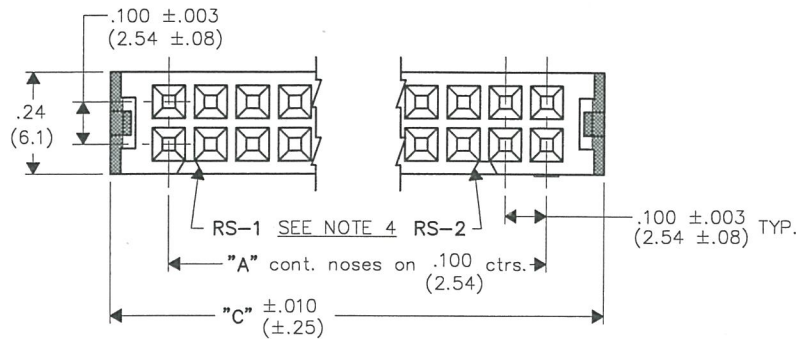
**OPERATING STANDARDS:**

TEMPERATURE RATING - 125°C.

CONTACT RATING - 1 ampere.

DIELECTRIC STRENGTH - Over 500 v.d.c. at sea level.

CONDUCTORS ACCEPTED - 28-30 AWG solid or stranded.



CONNECTOR DIMENSIONS			
XX CONTS.	A	B	C
10	.400 (10.16)	.515 (13.08)	.677 (17.20)
14	.600 (15.24)	.715 (18.16)	.877 (22.28)
16	.700 (17.78)	.815 (20.70)	.977 (24.82)
20	.900 (22.86)	1.015 (25.78)	1.177 (29.90)
26	1.200 (30.48)	1.315 (33.40)	1.477 (37.52)
34	1.600 (40.64)	1.715 (43.56)	1.877 (47.68)
40	1.900 (48.26)	2.015 (51.18)	2.177 (55.30)
50	2.400 (60.96)	2.515 (63.88)	2.677 (68.00)
60	2.900 (73.66)	3.015 (76.58)	3.177 (80.70)

CUSTOMER DWG.

FORM-B2

REVISIONS

0

RELEASED:  
DCW 4-19-96  
APR 29 1996

**ATTENTION**

THIS DRAWING AND ITS ATTACHMENTS, IF ANY, ARE PROPRIETARY TO CW INDUSTRIES AND DESCRIBE DESIGNS THAT ARE CONFIDENTIAL AND MUST NOT BE DISCLOSED UNLESS AUTHORIZED, IN WRITING, BY AN OFFICER OF CW INDUSTRIES.....

**CW INDUSTRIES**  
Southampton, Pa. 18966

Title:

**SOCKET CONNECTOR**  
.100 x .100 CENTERS  
(.050 CENTER FLAT CABLE)  
PLAIN COVER, NO KEYING

TOLERANCES UNLESS OTHERWISE SPECIFIED:  
2 Place Decimal  $\pm 0.010$  METRIC  
3 Place Decimal  $\pm 0.005$  1 Place Dec.  $\pm 0.25$ mm  
Angles .....  $\pm 1^\circ$  2 Place Dec.  $\pm 0.13$ mm

Made for: CW IND.  
Drawn by: DGW 4-19-96  
Checked by: G. GULD 4-29-96  
Approval: D. Flanagan 4-29-96

Division:

CONNECTOR

Dwg. No.

CWR-220-XX-0000

**MASTER**

## X-ON Electronics

Largest Supplier of Electrical and Electronic Components

*Click to view similar products for [Headers & Wire Housings](#) category:*

*Click to view products by [CW Industries](#) manufacturer:*

Other Similar products are found below :

[892-18-020-10-001101](#) [58102-G61-06LF](#) [582553-1](#) [0009485154](#) [009176003701906](#) [0050291907](#) [LY20-4P-DT1-P1E-BR](#) [02.125.8002.8](#)  
[609-3404](#) [61062-3](#) [61082-181009](#) [622-3653LF](#) [63453-116](#) [636-1030](#) [636-1427](#) [636-3427](#) [636-4007](#) [641938-9](#) [641991-4](#) [644827-2](#) [65817-](#)  
[010LF](#) [65817-015LF](#) [65863-015LF](#) [66207-023LF](#) [67095-007LF](#) [67601157](#) [68645-018](#) [68648-049](#) [70.362.1628.0](#) [70-4210](#) [70-4226B](#) [70-](#)  
[4853B](#) [707-5020](#) [707-5028](#) [71.350.2428.0](#) [71918-208LF](#) [71961-016LF](#) [733-134](#) [733-162](#) [754199-000](#) [760-3052](#) [787-8014-00](#) [79531-3000](#)  
[FCN-360C032-B](#) [FCN-367T-T012/H](#) [FCN-723D010/2](#) [80.063.4001.1](#) [800-90-001-10-001000](#) [800-90-010-10-002000](#) [801-43-002-10-013000](#)