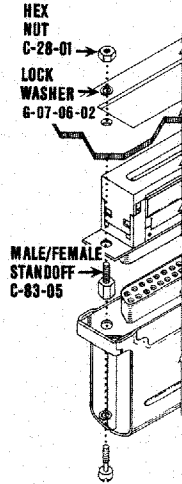
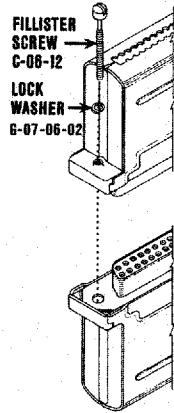


Hardware Mounting Kits for Metal Faced D-Connectors

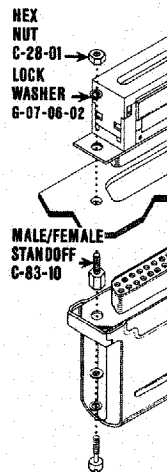
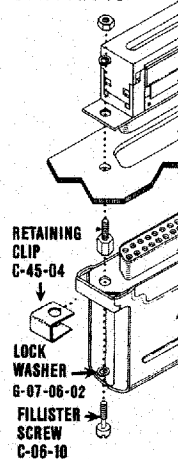
To order, specify CWN-HK-XX.

CWN-HK-07
Two 4-40 screws and washers for midspan splices of two CW D-Subminiature connectors with the CW EMI/RFI shield.



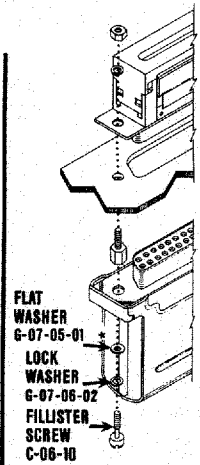
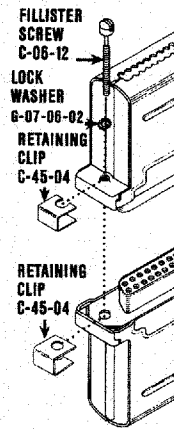
CWN-HK-08
Two 4-40 standoffs with lock washers and hex nuts for front panel mounting of D-Subminiature connector with metal face.

CWN-HK-09
Two 4-40 screws, lock washers and retaining clips for mounting other manufacturers' D-Subminiatures in the CW shield and mating to CWN-HK-10.



CWN-HK-10
Two 4-40 standoffs with lock washers and nuts for rear panel mounting of D-Subminiature connector with metal face.

CWN-HK-11
Two 4-40 screws, lock washers and four retaining clips for mid span splices of other manufacturers' D-Subminiature connectors in the CW shield.



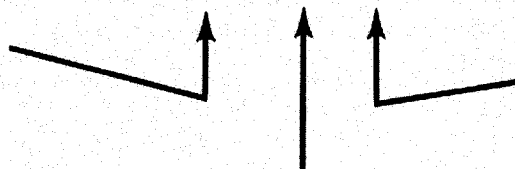
CWN-HK-12
Two 4-40 screws with four washers for mating CW D-Subminiature connectors with the CW EMI/RFI shield to front or rear panel mounted connector. *Flat washer not used when mated with front panel mounted connector.

How to Order D-Subminiature Connectors with Metal Face

Type of Connector

- 282 = D-Subminiature with metal face for cable end terminations, pin contact (Standard)
- 283 = D-Subminiature with metal face for cable end terminations, socket contact (Standard)
- 280 = D-Subminiature connector with metal face for daisy chain applications, pin contact
- 281 = D-Subminiature connector with metal face for daisy chain applications, socket contact

CWR-XXX-XX-00XX



Number of Contacts
(9, 15, 25 or 37)

Plating

- 0021 = 30μ in. gold (in mating area) over 50μ in. nickel (standard)
- 0000 = 10μ in. gold (in mating area) over 50μ in. nickel
- 0022 = 50μ in. gold (in mating area) over 50μ in. nickel **Mil-C-24308 approved.**
- 0003 = 100μ in. tin-lead

How to Order EMI/RFI Shield

Type of Shield

- 292 = Shield for cable end terminations
- 290 = Shield for daisy chain terminations

CWN-XXX-XX-8901

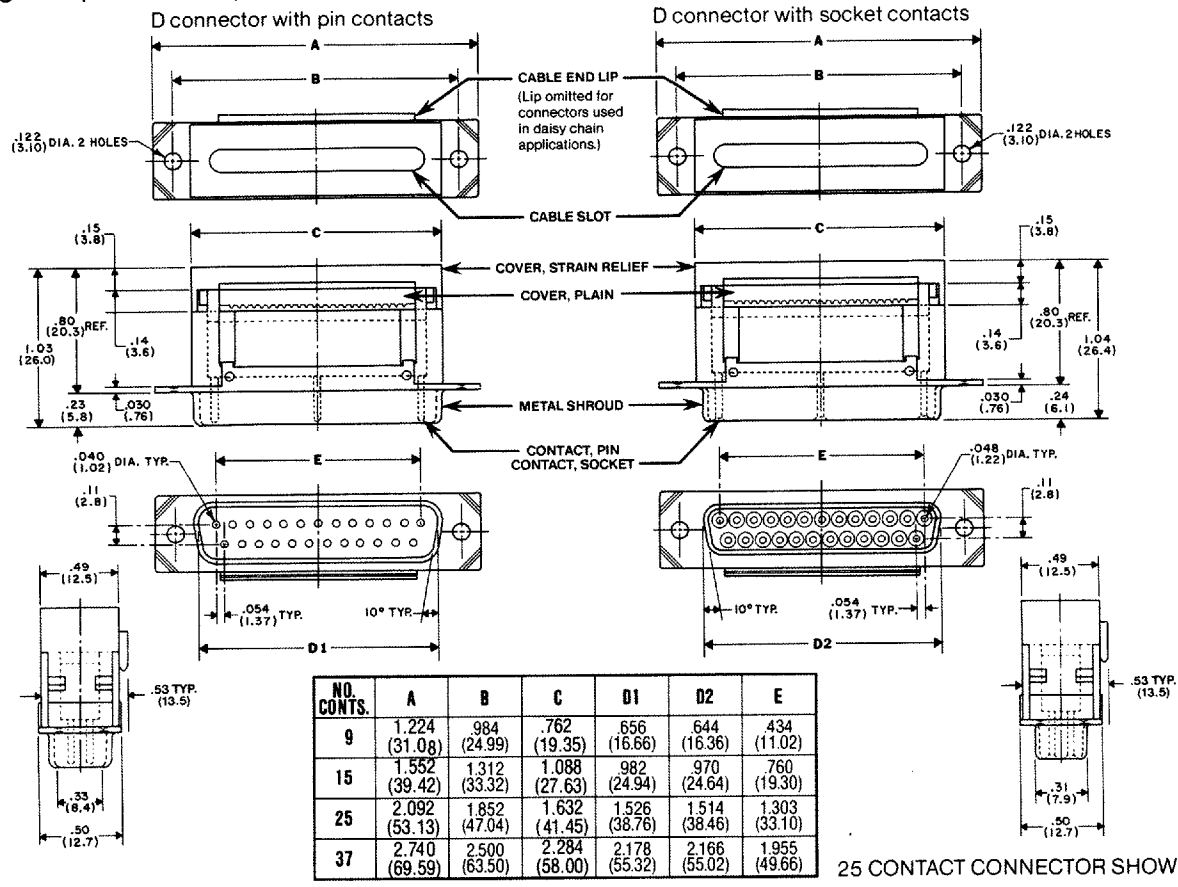


Size
(09, 15, 25, 37)

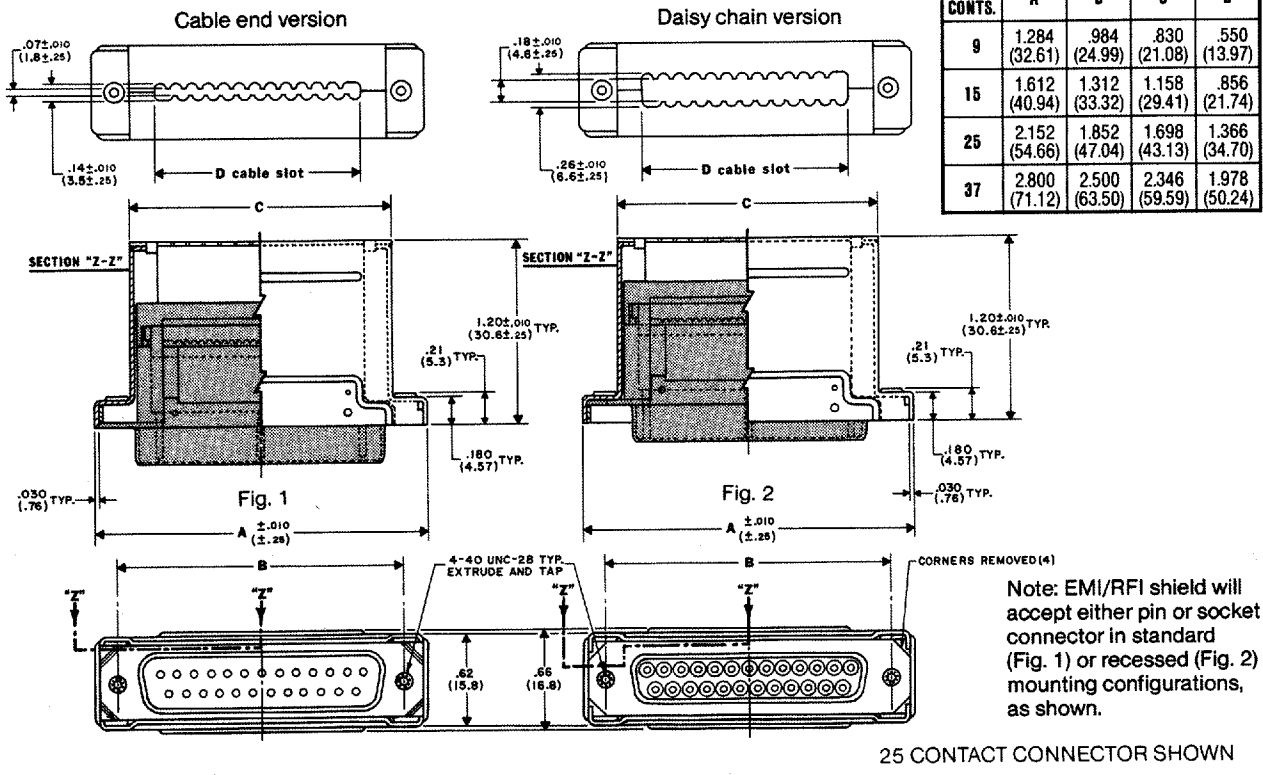
Note: For information on 100% tested, ready-to-use cable assemblies, contact the factory or your local value-added distributor.

REVISIONS	Tolerances unless otherwise specified: 2 PLACE DEC. ±.010 3 PLACE DEC. ±.005 ANGLES ±1°	CW INDUSTRIES 130 James Way Southampton, PA 18966
	L. Webber DRAWN BY	
	CHECKED BY <i>[Signature]</i>	PART NO.
	ENG. <i>[Signature]</i>	

D-Subminiature connectors with metal face
(Bright tin-plated C.R.S.)



EMI/RFI Shield (Bright tin-plated C.R.S.)



D 97E ■ 1783950 0001360 10T ■

X-ON Electronics

Largest Supplier of Electrical and Electronic Components

Click to view similar products for [D-Sub Standard Connectors](#) category:

Click to view products by [CW Industries](#) manufacturer:

Other Similar products are found below :

[56F711-015](#) [012-9507-004](#) [LV242999-142T12](#) [015-0341-000](#) [015-0349-000](#) [015-0372-005](#) [015-0372-008](#) [015-8755-001](#) [020419-0104](#) [012-0467-000](#) [012-0515-000](#) [012-9507-034](#) [012-9507-114](#) [020745-0008](#) [609-25P](#) [M24308/2-23Z](#) [CT2-14S-2PCA34](#) [CT2-18-11PCAU](#) [CT2-36-15SC](#) [CT6-14S-2SC](#) [CT6E14SA7SC](#) [CT6E22-14PC](#) [CT6E22-14PS](#) [CT6E22-22PS](#) [M83513/01-FC](#) [M85049/48-3-2F](#) [6STD09PCM99B70X](#) [6STD09SCM99B30X](#) [6STD09SCT99S40X](#) [6STD15PCT99S40X](#) [6STD15SCM99B30X](#) [6STD15SCT99S40X](#) [6STF09PCM05B70X](#) [7-135760-9](#) [MC11E-10-6SN](#) [747552-3](#) [MD1-21PS](#) [MDM-15SCBRM7-F222](#) [MDM96517-699](#) [MDM96521-744](#) [MDVB1-21SL1](#) [MIK0-1-7SH003](#) [MIKQ6-7SH076](#) [MIKQ7-7PH077](#) [MIKQ7-7PH11](#) [MIKQ7-7PH32](#) [MIKQ9-7PH003](#) [MJSV-28SL61](#) [MKJ4A1F14-55S](#) [8-135760-3](#)