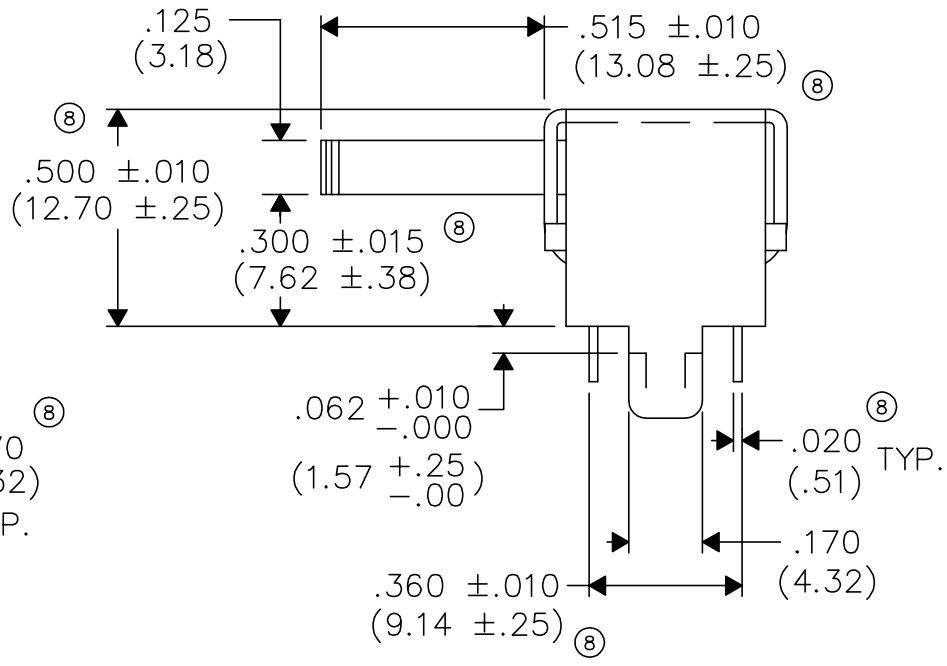
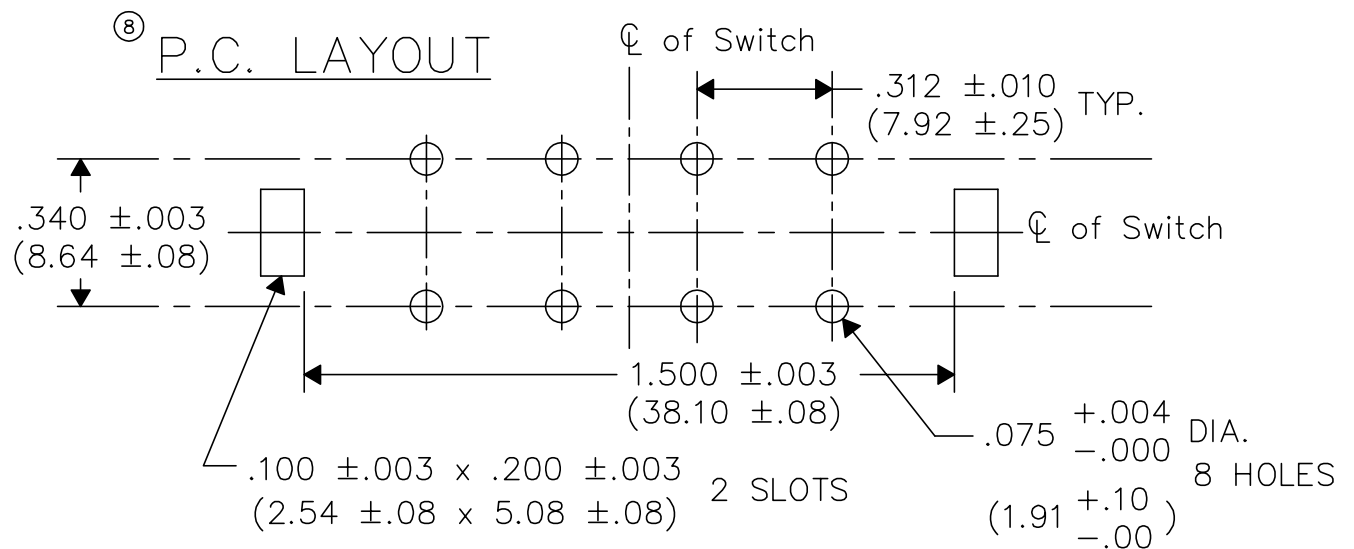
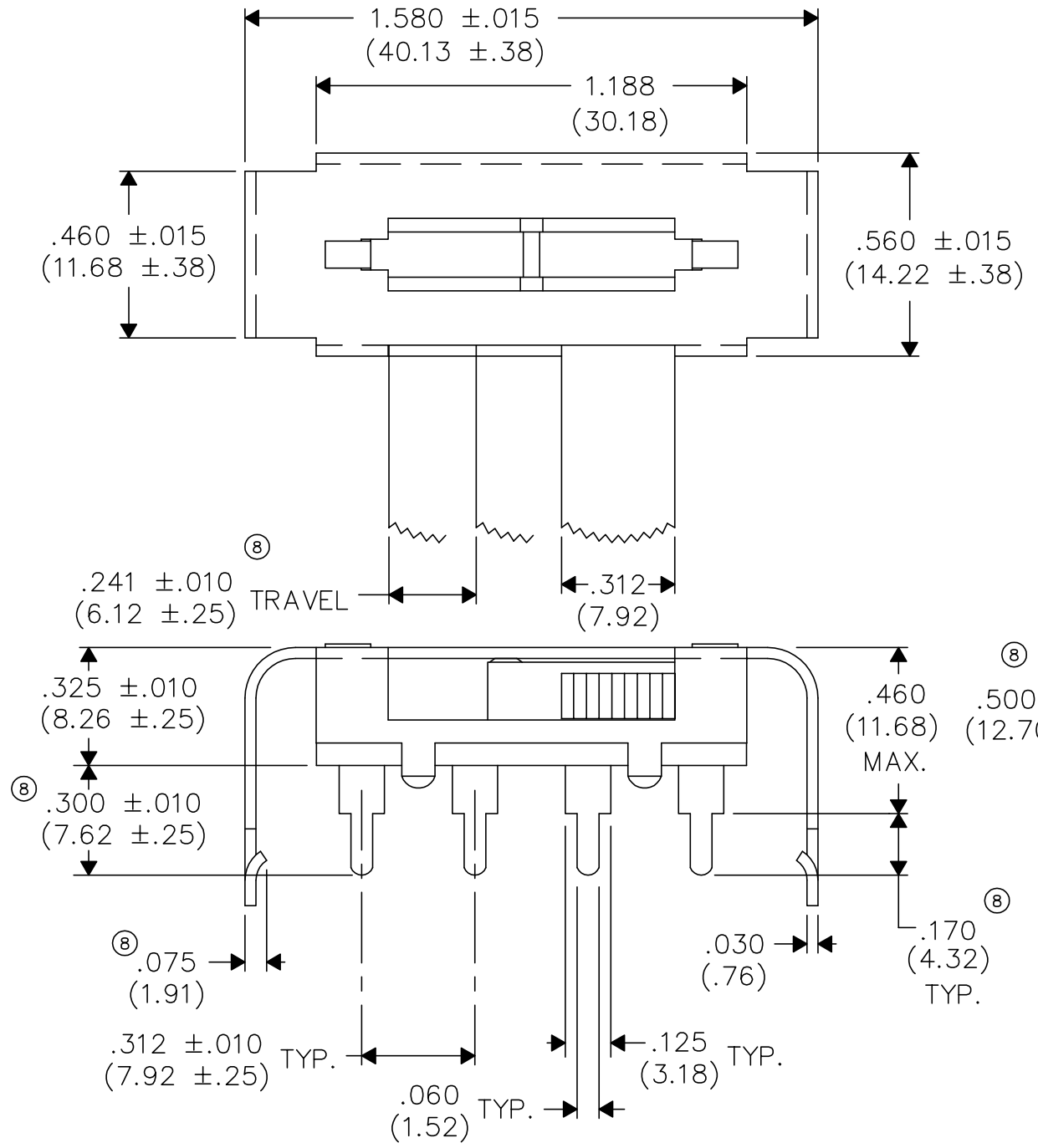


DIMENSIONS IN INCHES (MILLIMETERS)
DO NOT SCALE DRAWING

Dwg. No.
G-386-0001



1 2 3 4 5 6 7 8 9 10

B-FORMAT 2002	REVISIONS	8	REDRAWN. ADDED PC LAYOUT, .020 & .170. .515±.010 WAS .578±.010, .300±.015 WAS .290±.015, .360±.010 WAS .385±.010, .500±.010 WAS .500, .241±.010 TRAVEL WAS .478±.010 TRAVEL & .075 WAS .070±.010
			ADDED .300±.010. DGW 3-17-2004 Mar. 24, 2004

PDF File Made		Made for: CW IND.	Division: SWITCH
		Drawn by: DGW 3-17-2004	Dwg. No. G-386-0001
		Checked by: GG 3-23-04	
		Approval: BF 3-23-4	

CW INDUSTRIES
Southampton, Pa. 18966

TOLERANCES UNLESS OTHERWISE SPECIFIED

2 Place Decimal ±.010	METRIC
3 Place Decimal ±.005	1 Place Dec. ±.25mm
Angles ±1°	2 Place Dec. ±.13mm

Title: SLIDE SWITCH
RIGHT ANGLE
D.P. 3 POS.
W/SNAP-IN HOUSING

X-ON Electronics

Largest Supplier of Electrical and Electronic Components

Click to view similar products for [Slide Switches](#) category:

Click to view products by [CW Industries](#) manufacturer:

Other Similar products are found below :

[6-1437581-1](#) [M43R](#) [MHS123K15D](#) [MHS133K](#) [MHSS1104A](#) [MMD](#) [GH49S010001](#) [MSS12A](#) [EPS1PC1](#) [1825074-1](#) [1825160-3](#) [1825167-2](#)
[1825289-7](#) [K232CB](#) [25139NLDB](#) [25449NAH](#) [SLB1240R45](#) [1825078-1](#) [1825080-4](#) [1825269-1](#) [1825270-2](#) [STS141RA04](#) [T2215BEN506](#)
[GH46P000001](#) [GH46W000001](#) [GH49P010001](#) [25339NA](#) [M42A](#) [TG36P000000](#) [TG36P000050](#) [AYZ0202AG](#) [47227LFE](#) [49331L](#) [50208L](#)
[L203091MS02Q](#) [4-1437581-7](#) [X2225CR-437W](#) [49329L](#) [1101M1S3ZB8E2](#) [1-1437581-1](#) [MSS2225G04](#) [TG39W000000](#) [1825075-1](#)
[MSS42G](#) [TG36WS80065](#) [T105S1CWZBE](#) [SLB124145](#) [SLB1280R5](#) [SLB1340R45](#) [25136NLDB](#)