

DIMENSIONS IN INCHES (MILLIMETERS)
DO NOT SCALE DRAWING

Dwg. No.

GC-509-0025

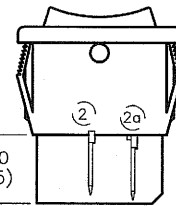
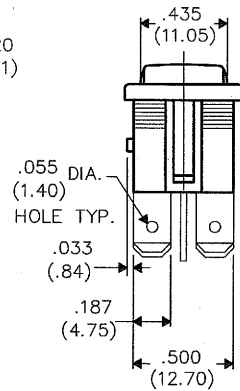
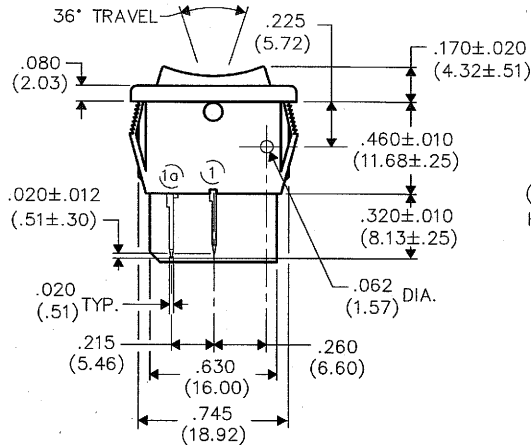
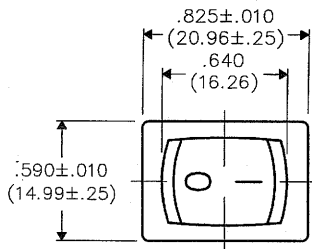
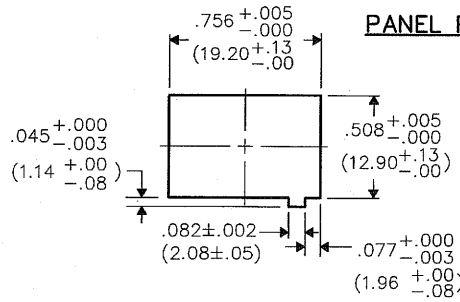
ELECTRICAL RATING

3(1.5)A 250 ~ 14
T 85°

ACTUATION FORCE

Center to End Detented	End to Center Detented	Center to End Momentary
8 - 20 oz	15 - 27 oz	20 - 32 oz

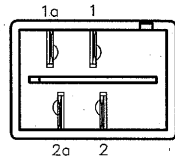
PANEL PIERCING



MATERIAL:

Housing & Knob-

UL Recognized Component plastic
Crastin 660 Manufactured by E.I. Dupont.



BOTTOM VIEW

LOGIC TABLE

ROCKER POSITION	CONTACTS SHORTED
 END (MOMENTARY)	1 - 1a (Pole 1) 2 - 2a (Pole 2)
 MIDDLE	2 - 2a
 END (DETENTED)	NONE

1 2 3 4 5 6 7 8 9 10

B-FORMAT 2002

REVISIONS

RELEASED: 1-12-2010
 DGW
 JAN 14 2010

CW INDUSTRIES
 Southampton, Pa. 18966

TOLERANCES UNLESS OTHERWISE SPECIFIED

2 Place Decimal ±.010	METRIC
3 Place Decimal ±.005	1 Place Dec. ±.25mm
Angles ±1°	2 Place Dec. ±.13mm

Made for: CW IND.
 Drawn by: DGW 1-12-2010
 Checked by: G. Guld 1-13-10
 Approval: G. Guld 1-13-10

Title: **MINI
ROCKER
SWITCH**

Division: **SWITCH**

Dwg. No. **GC-509-0025**

MASTER

X-ON Electronics

Largest Supplier of Electrical and Electronic Components

Click to view similar products for [Rocker Switches](#) category:

Click to view products by [CW Industries](#) manufacturer:

Other Similar products are found below :

[LTI LA6E-1S-WH-RC-FN12VXCR1](#) [6-1571986-9](#) [8007K26N324V52](#) [8055K32Z7V](#) [8055K52Z7V](#) [8138K20E6M50](#) [84206L](#) [84312LX](#)
[PREDD5-07F-BB0GW](#) [999-16716-002](#) [999-16716-003](#) [999-16716-004](#) [A101J1V3Q004](#) [A101J2ZQ004](#) [A101J4ZQ004](#) [A101J51CB0004](#)
[A103J1ZQ004](#) [A201J1AQ004](#) [A201J3ZB004](#) [A201J50ZQ004](#) [A203J51ZQ0004](#) [A435S1YZQ](#) [H8500XBBBBBL-A](#) [H8653VBBG2577W](#)
[HB130CHNWWNAAC](#) [R13112ABB-602W](#) [1251.0303](#) [AE205J60V3B004](#) [1352.0107](#) [1571099-3](#) [1571987-4](#) [1571987-5](#) [1571989-7](#)
[1571988-5](#) [B123J77V7B2](#) [B226J50W4Q22P](#) [B433J37ZQ22M](#) [160212E](#) [1634200-7](#) [1801.1164](#) [1839.1502](#) [PANEL-PLUG-VHP-BLACK](#)
[PANEL-PLUG-VHP-WT](#) [K1ABBSCADN](#) [KG312A2DXD246X](#) [250011E714](#) [2600HM11E](#) [2600R21E](#) [2637LH/2A7/122048L0](#)
[2639LH/2A7/127000L0](#)