

**X**

PANEL CUT-OUT

	X	Y
1.0~1.5	37.3 <sup>+0.0</sup> <sub>-0.1</sub>	21.2 <sup>+0.1</sup> <sub>-0.0</sub>
2.5~3.0	37.5 <sup>+0.0</sup> <sub>-0.1</sub>	21.2 <sup>+0.1</sup> <sub>-0.0</sub>
3.5~4.5	37.7 <sup>+0.0</sup> <sub>-0.1</sub>	21.2 <sup>+0.1</sup> <sub>-0.0</sub>

**SPECIFICATIONS:**

Rating: 16(8)A 125/250VAC  
25A 12V DC

Function: ON - OFF - ON DPDT  
Pos 1 Pos 2 Pos 3

Contact Resistance: 20mΩ max. (initial)  
Insulation Resistance: 100mΩ min. (at 500V DC)  
Dielectric Strength: 1,500V AC 50/60 Hz for 1 minute  
Operating Temp.: - 40 ° C To 85 ° C  
Service Life: Mechanically: 100,000 operations min.  
Electrically: 30,000 operations min.

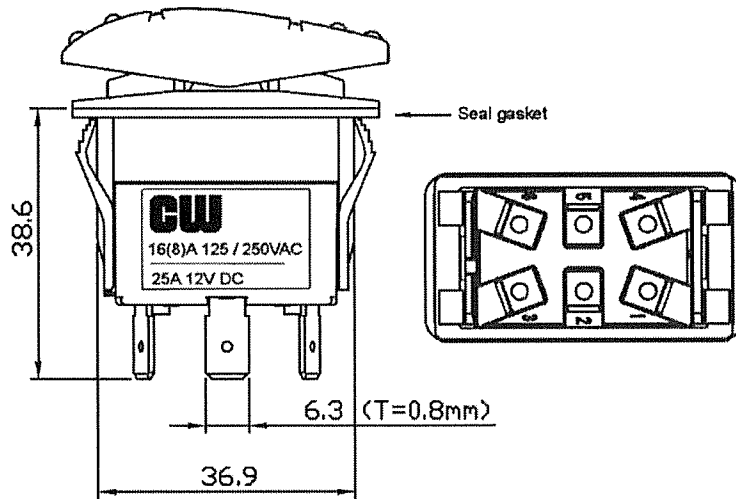
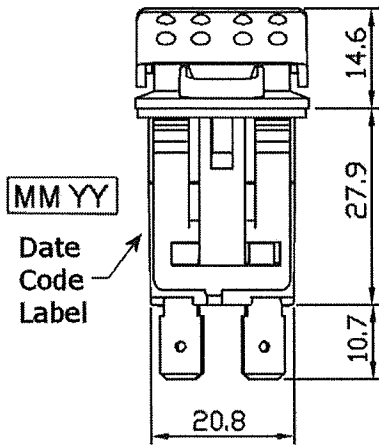
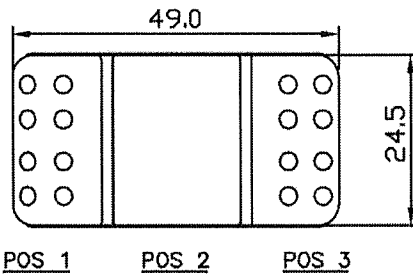
Water Proof: IP 67

Base Color- Gray

Actuator Color- Black

Insulation Materials: 94V-2 Thermoplastic

Contact Materials: Copper Alloy



RoHS Compliant

X5 - 234ANN - NABB - 1NNW

**CW INDUSTRIES**  
Southampton, Pa. 18966  
Tel 215.355.7080/www.cwind.com

Date Drawn: 3-19-12

Rev. 2

Unit: mm

Checked By: *G. GOLD*

2 Redrawn. Added function & panel charts & IP 67 was IP 68. DW 4/03/2018.

Title:  
**ROCKER SWITCH**

CW P/N:  
**GRB234A2NABA1**

## X-ON Electronics

Largest Supplier of Electrical and Electronic Components

*Click to view similar products for [Rocker Switches](#) category:*

*Click to view products by [CW Industries](#) manufacturer:*

Other Similar products are found below :

[LTI LA6E-1S-WH-RC-FN12VXCR1](#) [6-1571986-9](#) [8007K26N324V52](#) [8055K32Z7V](#) [8055K52Z7V](#) [8138K20E6M50](#) [84206L](#) [84312LX](#)  
[PREDD5-07F-BB0GW](#) [999-16716-002](#) [999-16716-003](#) [999-16716-004](#) [A101J1V3Q004](#) [A101J2ZQ004](#) [A101J4ZQ004](#) [A101J51CB0004](#)  
[A103J1ZQ004](#) [A201J1AQ004](#) [A201J3ZB004](#) [A201J50ZQ004](#) [A203J51ZQ0004](#) [A435S1YZQ](#) [H8500XBBBBBL-A](#) [H8653VBBG2577W](#)  
[HB130CHNWWNAAC](#) [R13112ABB-602W](#) [1251.0303](#) [AE205J60V3B004](#) [1352.0107](#) [1571099-3](#) [1571987-4](#) [1571987-5](#) [1571989-7](#)  
[1571988-5](#) [B123J77V7B2](#) [B226J50W4Q22P](#) [B433J37ZQ22M](#) [160212E](#) [1634200-7](#) [1801.1164](#) [1839.1502](#) [PANEL-PLUG-VHP-BLACK](#)  
[PANEL-PLUG-VHP-WT](#) [K1ABBSCADN](#) [KG312A2DXD246X](#) [250011E714](#) [2600HM11E](#) [2600R21E](#) [2637LH/2A7/122048L0](#)  
[2639LH/2A7/127000L0](#)