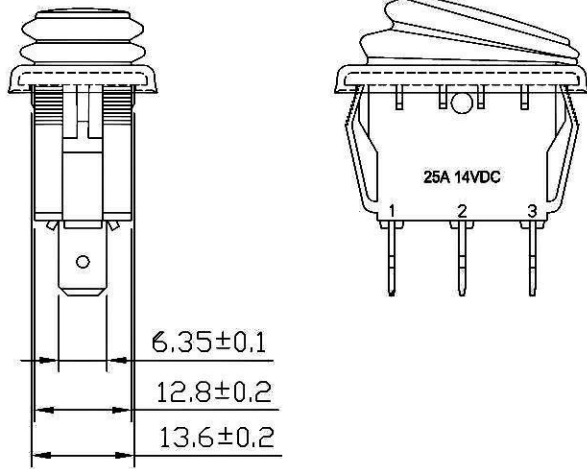
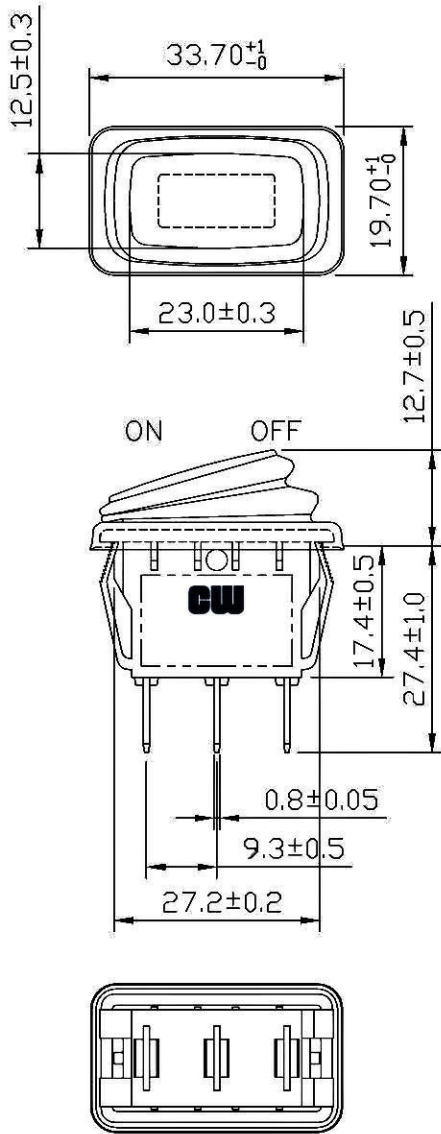


THIS INFORMATION IS CONFIDENTIAL AND PROPRIETARY TO CW INDUSTRIES INCORPORATED AND ITS AFFILIATES. IT MAY NOT BE DISCLOSED TO ANYONE, OTHER THAN CW INDUSTRIES PERSONNEL, WITHOUT WRITTEN AUTHORIZATION FROM CW INDUSTRIES INCORPORATED, SOUTHAMPTON, PENNSYLVANIA USA.

<b>Rating</b>	<b>25A 14VDC</b>
<b>Contact Resistance</b>	<b>50m ohm Max.</b>
<b>Insulation Resistance</b>	<b>DC 500V 100M ohm Min.</b>
<b>Dielectric Strength</b>	<b>AC 1500V 1 minute</b>
<b>Operation Temp.</b>	<b>- 25° C ~ 85° C</b>
<b>Switch Function</b>	<b>3P SPST ON - OFF (LED)</b>

<b>Mounting Hole</b>		<b>Circuit Diagram</b>							
Thickness	<table border="1"> <thead> <tr> <th>X</th> <th>Y</th> </tr> </thead> <tbody> <tr> <td>0.75....2.5</td> <td>27.6-0.1 13.8+0.1</td> </tr> <tr> <td>2.5....3.5</td> <td>27.8-0.1 13.8+0.1</td> </tr> <tr> <td>3.5....4.5</td> <td>28.0-0.1 13.8+0.1</td> </tr> </tbody> </table>		X	Y	0.75....2.5	27.6-0.1 13.8+0.1	2.5....3.5	27.8-0.1 13.8+0.1	3.5....4.5
X	Y								
0.75....2.5	27.6-0.1 13.8+0.1								
2.5....3.5	27.8-0.1 13.8+0.1								
3.5....4.5	28.0-0.1 13.8+0.1								

**\*MATERIAL:**  
 Frame: Black, Nylon 66 (94-V2)  
 Actuator: Red, PC clear (94-V2)  
 Waterproof rubber: Black, Silicone  
 Terminals 1,2: Silver plated, Copper alloy  
 Terminal 3: Brass alloy  
 Printed: None  
 IP rating: IP65



RoHS Compliant

**CW INDUSTRIES**  
 Southampton, Pa. 18966  
 Tel 215.355.7080/www.cwind.com

Date Drawn: 6/01/09

Rev. 0

Unit: mm

Checked By: GG

Title: **ROCKER SWITCH**

CW P/N: **GRB238B801BR1**

## X-ON Electronics

Largest Supplier of Electrical and Electronic Components

*Click to view similar products for [Illuminated Rocker Switches](#) category:*

*Click to view products by [CW Industries](#) manufacturer:*

Other Similar products are found below :

[KG312A2DXD246X](#) [AML26FBF2CA01GX](#) [CRE22F2BBALE](#) [35-3580-BU](#) [35-3630](#) [MLW3015-F-LF-2A](#) [MLW3023-00RA-1A](#) [35-3585](#)  
[35-655](#) [35-656-BU](#) [35-689](#) [35-693](#) [35-694](#) [V1D1B60BGDC4S-100](#) [LRA32H2FBGLN](#) [LRA22H2FBRLN](#) [TRG22F2BBRLN](#)  
[RR3405ALRED](#) [CR102J5GS215QF6](#) [KG412A2XEA26X3](#) [KG412A2XDA26X6](#) [A8A-216-1](#) [A8A-223-1A](#) [AML26FBF2CA04RX](#)  
[AML26FBF2DA05YX](#) [GRL-2011-1600](#) [632121-1B-KN](#) [632122-2B-JA](#) [632152-2B-3N](#) [6321524B4E](#) [632221-4B-KN](#) [632421-2B-KE](#)  
[L11B1A801-A7Z00-000](#) [L11B1AJ01-AHZ00-000](#) [L11B1DD01-ARZ00-000](#) [L11D1A601-AMZ00-000](#) [L11D1AH01-00000-000](#)  
[L11D1EHN1-A7900-000](#) [LRA211-CR-B/125N](#) [LRA211-RS-B/125N](#) [LRA511-CB-B012V](#) [LRA511-RS-B012V](#) [LRA511-RS-B/24V-XZP1](#)  
[LRA910-RS-B/250N/O-I](#) [LRA911-CR-B/250N](#) [LRA911RS -B120N](#) [LRGSCCK511-RS-B-0/012V](#) [LRGSCCK511-R-S-B-A/012V](#) [LRGSCCK611-](#)  
[C-G-B-0125N](#) [LRGSCCK611-RS-B-0125N](#)