

THIS INFORMATION IS CONFIDENTIAL AND PROPRIETARY TO CW INDUSTRIES INCORPORATED AND ITS AFFILIATES. IT MAY NOT BE DISCLOSED TO ANYONE, OTHER THAN CW INDUSTRIES PERSONNEL, WITHOUT WRITTEN AUTHORIZATION FROM CW INDUSTRIES INCORPORATED, SOUTHAMPTON, PENNSYLVANIA USA.

Rating	21A 14VDC	Mounting Hole		Circuit Diagram									
Contact Resistance	50m ohm Max.												
Insulation Resistance	DC 500V 100M ohm Min.	<table border="1"> <tr> <th>Thickness(mm)</th> <th>X(mm)</th> <th>Y(mm)</th> </tr> <tr> <td>0.75~1.25</td> <td rowspan="3">21.2+0.1</td> <td>36.6^{+0.2}₋₀</td> </tr> <tr> <td>1.25~2.0</td> <td>36.8^{+0.2}₋₀</td> </tr> <tr> <td>2.0~3.0</td> <td>37.0^{+0.2}₋₀</td> </tr> </table>	Thickness(mm)	X(mm)	Y(mm)	0.75~1.25	21.2+0.1	36.6 ^{+0.2} ₋₀	1.25~2.0	36.8 ^{+0.2} ₋₀	2.0~3.0	37.0 ^{+0.2} ₋₀	
Thickness(mm)	X(mm)		Y(mm)										
0.75~1.25	21.2+0.1		36.6 ^{+0.2} ₋₀										
1.25~2.0		36.8 ^{+0.2} ₋₀											
2.0~3.0		37.0 ^{+0.2} ₋₀											
Dielectric Strength	AC 1500V 1 minute												
Operation Temperature	-20°~85°												
Switch Function	3P SPST ON-OFF												

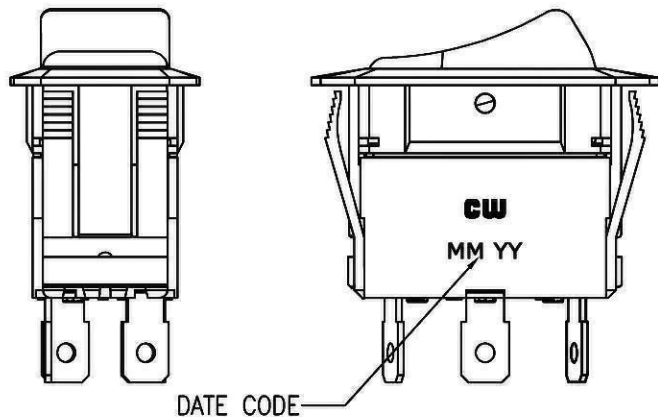
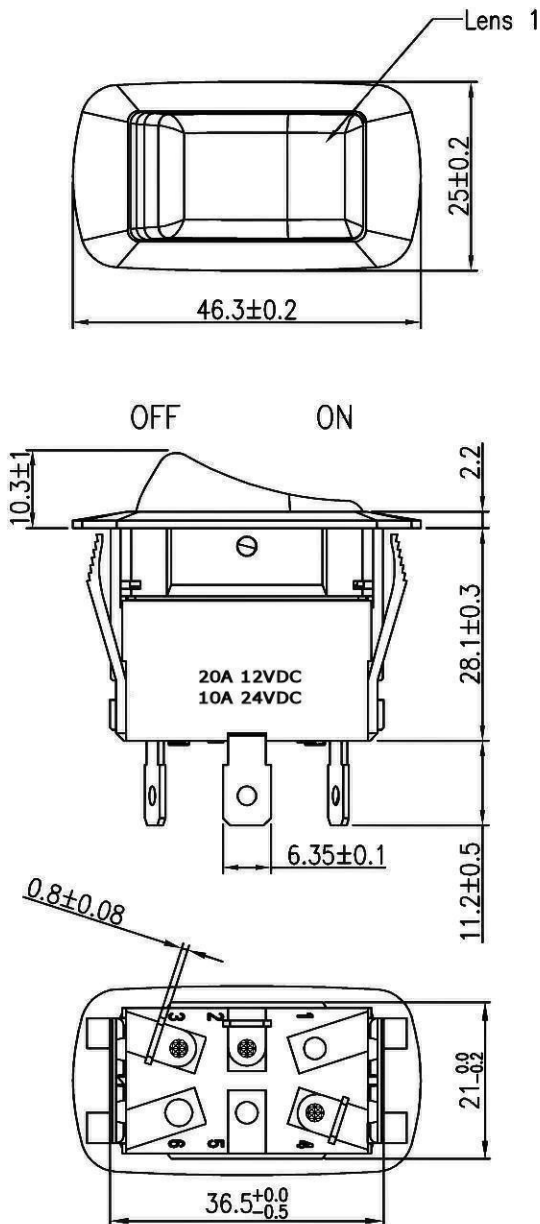
*** MATERIAL:**

Frame: Nylon#66, Black

Actuator: Nylon#66 with 33%GF, Black

Lens: PC, Red

Water proof and dust proof to fit IP-56



RoHS Compliant

1 Removed AC Rating marks and added DC Rating marks.8/23/10

CW INDUSTRIES
Southampton, Pa. 18966
Tel 215.355.7080/www.cwind.com

Date Drawn: 5/27/10

Rev. 1

Unit: mm

Checked By: G.Guld

Title: **ROCKER SWITCH**

CW P/N: **GRB260A401BBRN1**

X-ON Electronics

Largest Supplier of Electrical and Electronic Components

Click to view similar products for [Rocker Switches](#) category:

Click to view products by [CW Industries](#) manufacturer:

Other Similar products are found below :

[LTI LA6E-1S-WH-RC-FN12VXCR1](#) [6-1571986-9](#) [8007K26N324V52](#) [8055K32Z7V](#) [8055K52Z7V](#) [8138K20E6M50](#) [84206L](#) [84312LX](#)
[PREDD5-07F-BB0GW](#) [999-16716-002](#) [999-16716-003](#) [999-16716-004](#) [A101J1V3Q004](#) [A101J2ZQ004](#) [A101J4ZQ004](#) [A101J51CB0004](#)
[A103J1ZQ004](#) [A201J1AQ004](#) [A201J3ZB004](#) [A201J50ZQ004](#) [A203J51ZQ0004](#) [A435S1YZQ](#) [H8500XBBBBBL-A](#) [H8653VBBG2577W](#)
[HB130CHNWWNAAC](#) [R13112ABB-602W](#) [1251.0303](#) [AE205J60V3B004](#) [1352.0107](#) [1571099-3](#) [1571987-4](#) [1571987-5](#) [1571989-7](#)
[1571988-5](#) [B123J77V7B2](#) [B226J50W4Q22P](#) [B433J37ZQ22M](#) [160212E](#) [1634200-7](#) [1801.1164](#) [1839.1502](#) [PANEL-PLUG-VHP-BLACK](#)
[PANEL-PLUG-VHP-WT](#) [K1ABBSCADN](#) [KG312A2DXD246X](#) [250011E714](#) [2600HM11E](#) [2600R21E](#) [2637LH/2A7/122048L0](#)
[2639LH/2A7/127000L0](#)