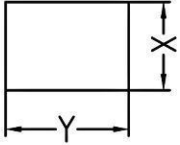
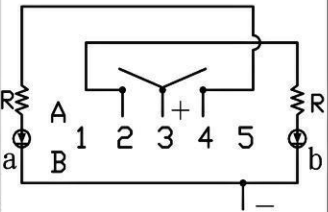
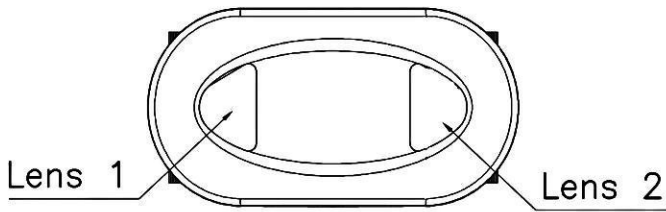
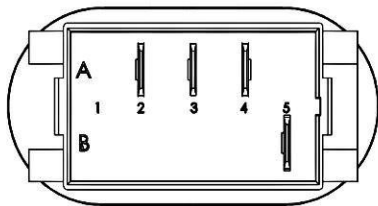
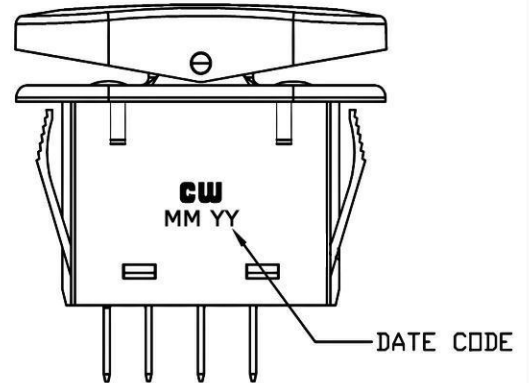
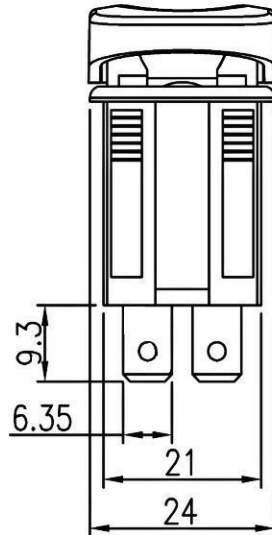
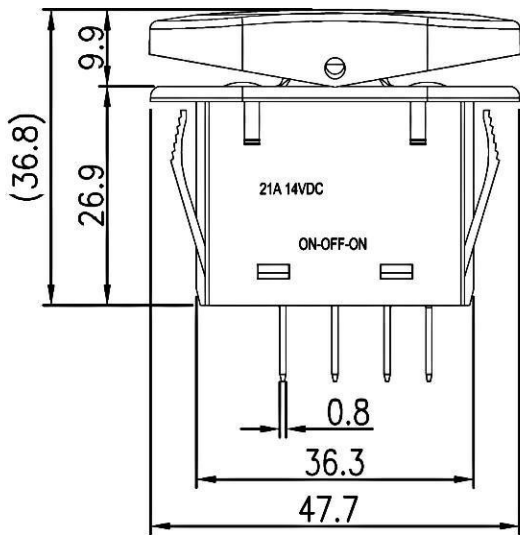


THIS INFORMATION IS CONFIDENTIAL AND PROPRIETARY TO CW INDUSTRIES INCORPORATED AND ITS AFFILIATES. IT MAY NOT BE DISCLOSED TO ANYONE, OTHER THAN CW INDUSTRIES PERSONNEL, WITHOUT WRITTEN AUTHORIZATION FROM CW INDUSTRIES INCORPORATED, SOUTHAMPTON, PENNSYLVANIA USA.

Rating	21A 14VDC	Mounting Hole	Circuit Diagram												
Contact Resistance	50m ohm Max.														
Insulation Resistance	DC 500V 100M ohm Min.														
Dielectric Strength	AC 1500V 1minute														
Operation Temperature	-20°~85°														
Switch Function	4P SPDT ON-OFF-ON	<table border="1"> <thead> <tr> <th>Thickness</th> <th>X</th> <th>Y</th> </tr> </thead> <tbody> <tr> <td>0.75~1.25</td> <td>21.2±0.1</td> <td>36.6±0.1</td> </tr> <tr> <td>1.25~2</td> <td>21.2±0.1</td> <td>36.8±0.1</td> </tr> <tr> <td>2~3</td> <td>21.2±0.1</td> <td>37.0±0.1</td> </tr> </tbody> </table>	Thickness	X	Y	0.75~1.25	21.2±0.1	36.6±0.1	1.25~2	21.2±0.1	36.8±0.1	2~3	21.2±0.1	37.0±0.1	
Thickness	X	Y													
0.75~1.25	21.2±0.1	36.6±0.1													
1.25~2	21.2±0.1	36.8±0.1													
2~3	21.2±0.1	37.0±0.1													



Material:
 Frame: Nylon# 66, Black
 Actuator: Nylon# 66+30%GF, Black
 Lens1: Green, PC
 Lens2: Red, PC
 Terminal: Silver plated copper(excepted lamp terminal)
 Printed: None
 Water proof and dust proof to fit IP-66



RoHS Compliant

TOLERANCE: ±0.3mm UNLESS OTHERWISE SPECIFIED.

CW INDUSTRIES
 Southampton, Pa. 18966
 Tel 215.355.7080/www.cwind.com

Date Drawn: 5/18/10

Rev. 0

Unit: mm

Checked By: EJP

Title: **ROCKER SWITCH**

CW P/N: **GRB271D3BBGR2D1**

X-ON Electronics

Largest Supplier of Electrical and Electronic Components

Click to view similar products for [Rocker Switches](#) category:

Click to view products by [CW Industries](#) manufacturer:

Other Similar products are found below :

[LTILA6E-1S-WH-RC-FN12VXCR1](#) [6-1571986-9](#) [8007K26N324V52](#) [8055K23Z7V](#) [8055K32Z7V](#) [8055K52Z7V](#) [8138K20E6M50](#) [84206L](#)
[84312LX](#) [PREDD5-07F-BB0GW](#) [999-16716-002](#) [999-16716-003](#) [999-16716-004](#) [A101J1V3Q004](#) [A101J2ZQ004](#) [A101J4ZQ004](#)
[A101J51CB0004](#) [A103J1ZQ004](#) [A201J1AQ004](#) [A201J3ZB004](#) [A201J50ZQ004](#) [A203J51ZQ0004](#) [A435S1YZQ](#) [H8500XBBBBL-A](#)
[H8653VBBG2577W](#) [HB130CHNWWNAAC](#) [R13112ABB-602W](#) [1251.0303](#) [AE205J60V3B004](#) [1352.0107](#) [1571099-3](#) [1571987-4](#)
[1571987-5](#) [1571989-7](#) [1571988-5](#) [B123J77V7B2](#) [B226J50W4Q22P](#) [B433J37ZQ22M](#) [160212E](#) [1634200-7](#) [1801.1164](#) [1839.1502](#) [PANEL-](#)
[PLUG-VHP-BLACK](#) [PANEL-PLUG-VHP-WT](#) [K1ABBSCADN](#) [KG312A2DXD246X](#) [250011E714](#) [2600HM11E](#) [2600R21E](#) [260413E](#)