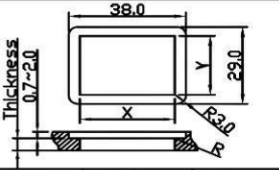
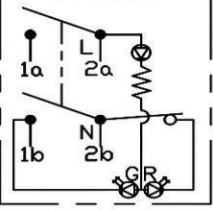
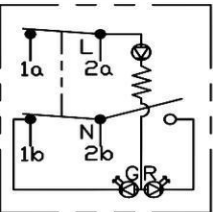
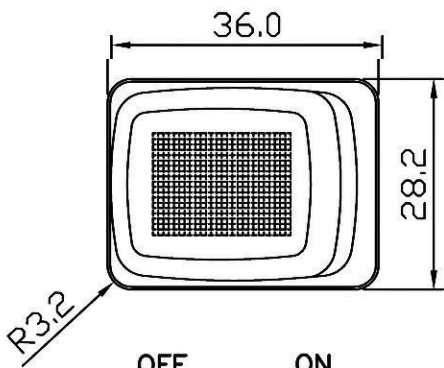
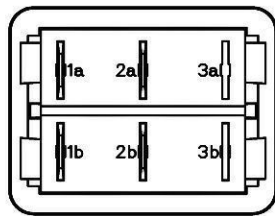
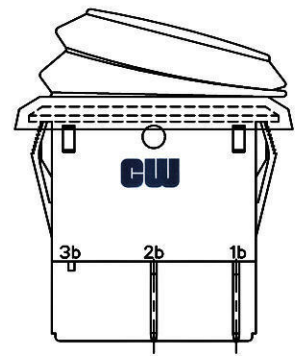
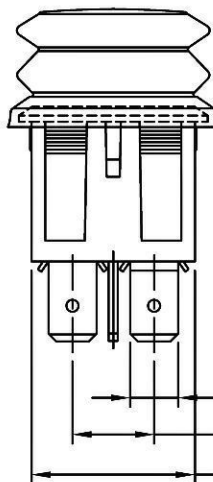
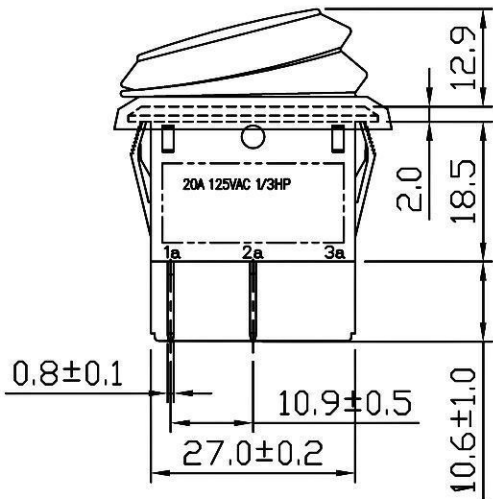


THIS INFORMATION IS CONFIDENTIAL AND PROPRIETARY TO CW INDUSTRIES INCORPORATED AND ITS AFFILIATES. IT MAY NOT BE DISCLOSED TO ANYONE, OTHER THAN CW INDUSTRIES PERSONNEL, WITHOUT WRITTEN AUTHORIZATION FROM CW INDUSTRIES INCORPORATED, SOUTHAMPTON, PENNSYLVANIA USA.

<b>Rating</b>	20A125V AC 1/3HP	<b>Mounting Hole</b> 	<b>Circuit Diagram</b> Switch off, red LED lighten 												
<b>Contact Resistance</b>	50m ohm Max.														
<b>Insulation Resistance</b>	DC 500V 100M ohm Min.	<table border="1"> <tr> <td>Thickness</td> <td>X</td> <td>Y</td> </tr> <tr> <td>0.75...1.25</td> <td>30.2-0.1</td> <td>22.2+0.1</td> </tr> <tr> <td>1.25...2</td> <td>30.4-0.1</td> <td>22.2+0.1</td> </tr> <tr> <td>2...4</td> <td>30.8-0.1</td> <td>22.2+0.1</td> </tr> </table>	Thickness	X	Y	0.75...1.25	30.2-0.1	22.2+0.1	1.25...2	30.4-0.1	22.2+0.1	2...4	30.8-0.1	22.2+0.1	Switch on, green LED lighten 
Thickness	X		Y												
0.75...1.25	30.2-0.1	22.2+0.1													
1.25...2	30.4-0.1	22.2+0.1													
2...4	30.8-0.1	22.2+0.1													
<b>Dielectric Strength</b>	AC 1500V 1 minute														
<b>Operation Temperature</b>	-25°C~85°C.														
<b>Switch Function</b>	4P DPST ON-OFF With LED														



OFF Red ON Green



**\*MATERIAL:**  
 Frame: Black, Nylon 66 (94-V2)  
 Actuator: Clear, PC (94-V2)  
 Terminals: Silver plated, Copper alloy  
 Waterproof Rubber: Silicone  
**\*Waterproof:** IP56  
 Tolerance:±0.3mm unless otherwise specified

RoHS Compliant

**CW INDUSTRIES**  
 Southampton, Pa. 18966  
 Tel 215.355.7080/www.cwind.com

Date Drawn: 9/19/08

Rev. 0

Unit: mm

Checked By: GG

Title: **ROCKER SWITCH**

CW P/N: **GRB285A8L101GR4**

## X-ON Electronics

Largest Supplier of Electrical and Electronic Components

*Click to view similar products for [Rocker Switches](#) category:*

*Click to view products by [CW Industries](#) manufacturer:*

Other Similar products are found below :

[LTI LA6E-1S-WH-RC-FN12VXCR1](#) [6-1571986-9](#) [8007K26N324V52](#) [8055K32Z7V](#) [8055K52Z7V](#) [8138K20E6M50](#) [84206L](#) [84312LX](#)  
[PREDD5-07F-BB0GW](#) [999-16716-002](#) [999-16716-003](#) [999-16716-004](#) [A101J1V3Q004](#) [A101J2ZQ004](#) [A101J4ZQ004](#) [A101J51CB0004](#)  
[A103J1ZQ004](#) [A201J1AQ004](#) [A201J3ZB004](#) [A201J50ZQ004](#) [A203J51ZQ0004](#) [A435S1YZQ](#) [H8500XBBBBBL-A](#) [H8653VBBG2577W](#)  
[HB130CHNWWNAAC](#) [R13112ABB-602W](#) [1251.0303](#) [AE205J60V3B004](#) [1352.0107](#) [1571099-3](#) [1571987-4](#) [1571987-5](#) [1571989-7](#)  
[1571988-5](#) [B123J77V7B2](#) [B226J50W4Q22P](#) [B433J37ZQ22M](#) [160212E](#) [1634200-7](#) [1801.1164](#) [1839.1502](#) [PANEL-PLUG-VHP-BLACK](#)  
[PANEL-PLUG-VHP-WT](#) [K1ABBSCADN](#) [KG312A2DXD246X](#) [250011E714](#) [2600HM11E](#) [2600R21E](#) [2637LH/2A7/122048L0](#)  
[2639LH/2A7/127000L0](#)