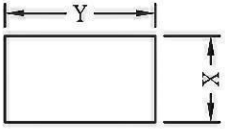
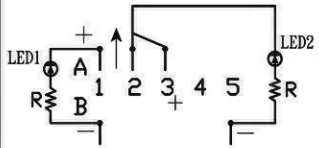


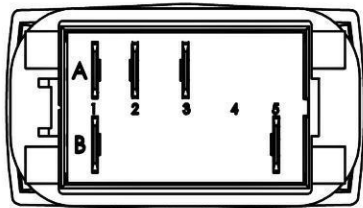
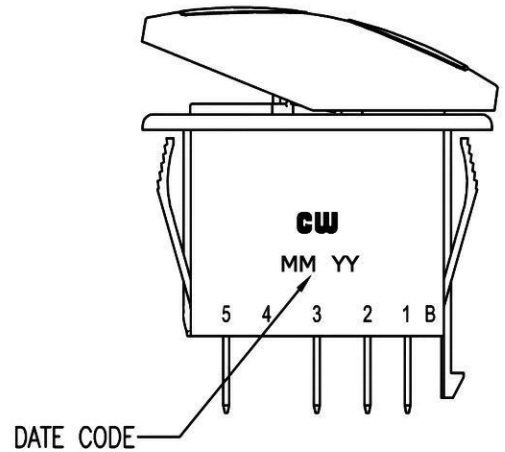
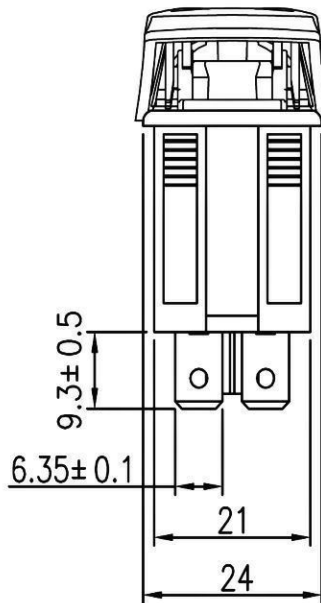
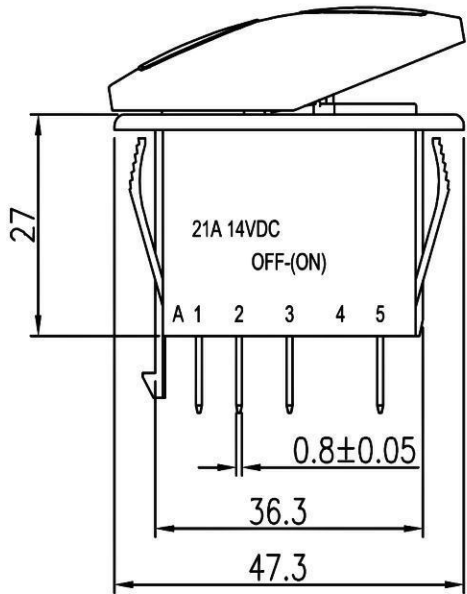
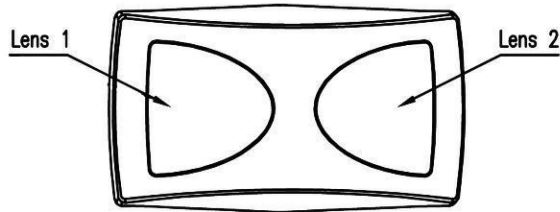
THIS INFORMATION IS CONFIDENTIAL AND PROPRIETARY TO CW INDUSTRIES INCORPORATED AND ITS AFFILIATES. IT MAY NOT BE DISCLOSED TO ANYONE, OTHER THAN CW INDUSTRIES PERSONNEL, WITHOUT WRITTEN AUTHORIZATION FROM CW INDUSTRIES INCORPORATED, SOUTHAMPTON, PENNSYLVANIA USA.

| <b>Rating</b>                | 21A 14VDC                         | <b>Mounting Hole</b><br>  | <b>Circuit Diagram</b><br> |       |       |           |                                   |          |          |          |         |          |
|------------------------------|-----------------------------------|---|---|-------|-------|-----------|-----------------------------------|----------|----------|----------|---------|----------|
| <b>Contact Resistance</b>    | 50m ohm Max.                      |   |   |       |       |           |                                   |          |          |          |         |          |
| <b>Insulation Resistance</b> | DC 500V 100M ohm Min.             |   |   |       |       |           |                                   |          |          |          |         |          |
| <b>Dielectric Strength</b>   | AC 1500V 1 minute                 |   |   |       |       |           |                                   |          |          |          |         |          |
| <b>Operation Temperature</b> | - 25 ° ~ + 85 °                   |   |   |       |       |           |                                   |          |          |          |         |          |
| <b>Switch Function</b>       | 5P SPST OFF - (ON)                | <table border="1"> <tr> <th>Thickness(mm)</th> <th>X(mm)</th> <th>Y(mm)</th> </tr> <tr> <td>0.75~1.25</td> <td rowspan="3">21.0<sup>+0.3</sup><sub>0</sub></td> <td>36.6+0.1</td> </tr> <tr> <td>1.25~2.0</td> <td>36.8+0.1</td> </tr> <tr> <td>2.0~3.0</td> <td>37.0+0.1</td> </tr> </table> | Thickness(mm)   | X(mm) | Y(mm) | 0.75~1.25 | 21.0 <sup>+0.3</sup> <sub>0</sub> | 36.6+0.1 | 1.25~2.0 | 36.8+0.1 | 2.0~3.0 | 37.0+0.1 |
| Thickness(mm)                | X(mm)                             | Y(mm)   |   |       |       |           |                                   |          |          |          |         |          |
| 0.75~1.25                    | 21.0 <sup>+0.3</sup> <sub>0</sub> | 36.6+0.1  |   |       |       |           |                                   |          |          |          |         |          |
| 1.25~2.0                     |                                   | 36.8+0.1  |   |       |       |           |                                   |          |          |          |         |          |
| 2.0~3.0                      |                                   | 37.0+0.1  |   |       |       |           |                                   |          |          |          |         |          |

( ) = Momentary Function

Material:

- 1. Frame: Nylon-66(94V-2)
- Actuator: Nylon-66+33%GF
- Lens 1: PC, Amber
- Lens 2: PC, Green
- Terminal: Silver plated copper  
(excepted lamp terminal)
- Printed: None
- 2. Water proof: "IP-66"



TOLERANCE: ±0.3mm UNLESS OTHERWISE SPECIFIED.

RoHS Compliant

1 Reversed Button & Function direction. 8/24/10.

**CW INDUSTRIES**  
 Southampton, Pa. 18966  
 Tel 215.355.7080/www.cwind.com

Date Drawn: 5/20/10

Rev. 1

Unit: mm

Checked By: G.Guld

Title: **ROCKER SWITCH**

CW P/N: **GRB292N301BBAG1**

## X-ON Electronics

Largest Supplier of Electrical and Electronic Components

*Click to view similar products for [Rocker Switches](#) category:*

*Click to view products by [CW Industries](#) manufacturer:*

Other Similar products are found below :

[LTI LA6E-1S-WH-RC-FN12VXCR1](#) [6-1571986-9](#) [8007K26N324V52](#) [8055K32Z7V](#) [8055K52Z7V](#) [8138K20E6M50](#) [84206L](#) [84312LX](#)  
[PREDD5-07F-BB0GW](#) [999-16716-002](#) [999-16716-003](#) [999-16716-004](#) [A101J1V3Q004](#) [A101J2ZQ004](#) [A101J4ZQ004](#) [A101J51CB0004](#)  
[A103J1ZQ004](#) [A201J1AQ004](#) [A201J3ZB004](#) [A201J50ZQ004](#) [A203J51ZQ0004](#) [A435S1YZQ](#) [H8500XBBBBBL-A](#) [H8653VBBG2577W](#)  
[HB130CHNWWNAAC](#) [R13112ABB-602W](#) [1251.0303](#) [AE205J60V3B004](#) [1352.0107](#) [1571099-3](#) [1571987-4](#) [1571987-5](#) [1571989-7](#)  
[1571988-5](#) [B123J77V7B2](#) [B226J50W4Q22P](#) [B433J37ZQ22M](#) [160212E](#) [1634200-7](#) [1801.1164](#) [1839.1502](#) [PANEL-PLUG-VHP-BLACK](#)  
[PANEL-PLUG-VHP-WT](#) [K1ABBSCADN](#) [KG312A2DXD246X](#) [250011E714](#) [2600HM11E](#) [2600R21E](#) [2637LH/2A7/122048L0](#)  
[2639LH/2A7/127000L0](#)