

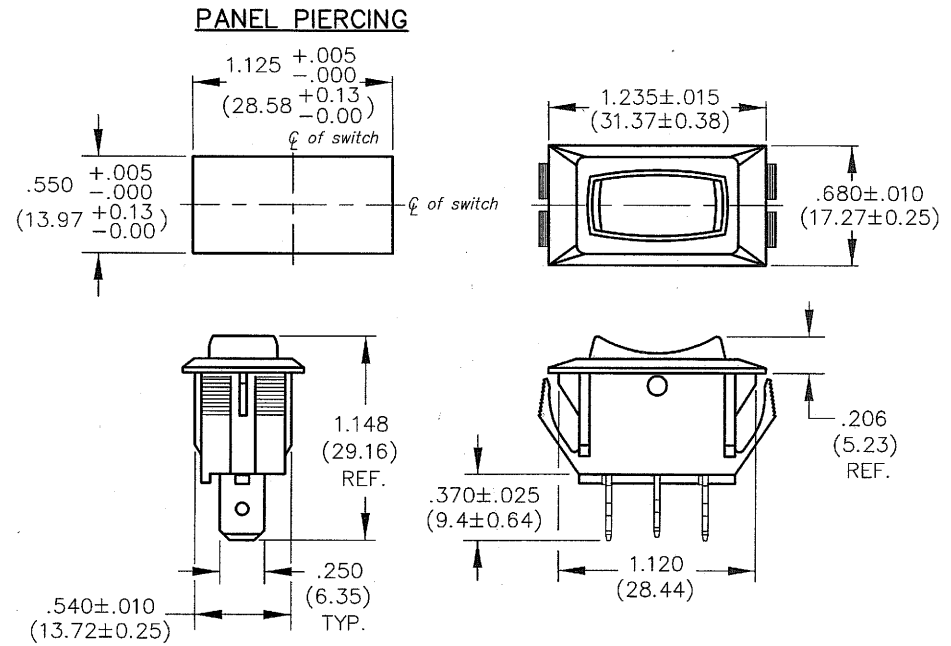
E
 D
 C
 B
 A

THIS INFORMATION IS CONFIDENTIAL AND PROPRIETARY TO CW INDUSTRIES INCORPORATED AND ITS AFFILIATES. IT MAY NOT BE DISCLOSED TO ANYONE OTHER THAN CW INDUSTRIES PERSONNEL, WITHOUT WRITTEN AUTHORIZATION FROM CW INDUSTRIES INCORPORATED, SOUTHAMPTON, PENNSYLVANIA USA.

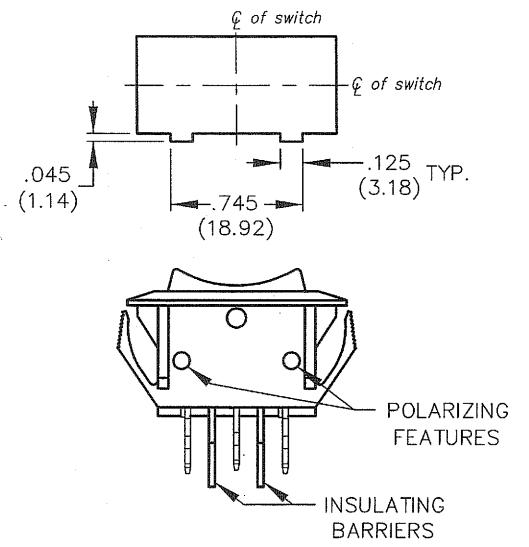
DIMENSIONS IN INCHES (MILLIMETERS)
 DO NOT SCALE DRAWING
 Dwg. No. **GRS-2013A-2XXX**

PANEL THICKNESS
 .025" to .180"
 (0.64mm to 4.57mm)

OPTIONS:



POLARIZED PANEL PIERCING



TERMINAL OPTIONS:

.250" Wide Terminal is standard as Shown in drawing.
 .187" Wide Terminal is optional.

1	2	3	4	5	6	7	8	9	10						
<p style="writing-mode: vertical-rl; transform: rotate(180deg);">B-FORMAT 2002</p> <p style="writing-mode: vertical-rl; transform: rotate(180deg);">REVISIONS</p> <p style="writing-mode: vertical-rl; transform: rotate(180deg);"> RELEASED: DGW OCT 23 2010 </p>							<p style="text-align: center;">CW INDUSTRIES Southampton, Pa. 18966</p> <p style="text-align: center;">TOLERANCES UNLESS OTHERWISE SPECIFIED</p> <table style="width: 100%; border-collapse: collapse;"> <tr> <td style="font-size: small;">2 Place Decimal ±.010</td> <td style="font-size: small;">METRIC</td> </tr> <tr> <td style="font-size: small;">3 Place Decimal ±.005</td> <td style="font-size: small;">1 Place Dec. ±.25mm</td> </tr> <tr> <td style="font-size: small;">Angles ±1°</td> <td style="font-size: small;">2 Place Dec. ±.13mm</td> </tr> </table> <p>Made for: CW IND.</p> <p>Drawn by: DGW 7-27-2010</p> <p>Checked by: <i>G. Guld 8-16-10</i></p> <p>Approval: <i>Edward P. Paul 8-18-10</i></p>		2 Place Decimal ±.010	METRIC	3 Place Decimal ±.005	1 Place Dec. ±.25mm	Angles ±1°	2 Place Dec. ±.13mm	<p>Title: CENTER OFF ROCKER SWITCH ASSEMBLY</p> <p>S.P.D.T. WITH OPTIONS</p> <p>1.125 x .550 PANEL</p> <p>Division: SWITCH</p> <p>Dwg. No. GRS-2013A-2XXX</p>
2 Place Decimal ±.010	METRIC														
3 Place Decimal ±.005	1 Place Dec. ±.25mm														
Angles ±1°	2 Place Dec. ±.13mm														

MASTER

X-ON Electronics

Largest Supplier of Electrical and Electronic Components

Click to view similar products for [Rocker Switches](#) category:

Click to view products by [CW Industries](#) manufacturer:

Other Similar products are found below :

[LTI LA6E-1S-WH-RC-FN12VXCR1](#) [6-1571986-9](#) [8007K26N324V52](#) [8055K32Z7V](#) [8055K52Z7V](#) [8138K20E6M50](#) [84206L](#) [84312LX](#)
[PREDD5-07F-BB0GW](#) [999-16716-002](#) [999-16716-003](#) [999-16716-004](#) [A101J1V3Q004](#) [A101J2ZQ004](#) [A101J4ZQ004](#) [A101J51CB0004](#)
[A103J1ZQ004](#) [A201J1AQ004](#) [A201J3ZB004](#) [A201J50ZQ004](#) [A203J51ZQ0004](#) [A435S1YZQ](#) [H8500XBBBBBL-A](#) [H8653VBBG2577W](#)
[HB130CHNWWNAAC](#) [R13112ABB-602W](#) [1251.0303](#) [AE205J60V3B004](#) [1352.0107](#) [1571099-3](#) [1571987-4](#) [1571987-5](#) [1571989-7](#)
[1571988-5](#) [B123J77V7B2](#) [B226J50W4Q22P](#) [B433J37ZQ22M](#) [160212E](#) [1634200-7](#) [1801.1164](#) [1839.1502](#) [PANEL-PLUG-VHP-BLACK](#)
[PANEL-PLUG-VHP-WT](#) [K1ABBSCADN](#) [KG312A2DXD246X](#) [250011E714](#) [2600HM11E](#) [2600R21E](#) [2637LH/2A7/122048L0](#)
[2639LH/2A7/127000L0](#)