

F  
 D  
 C  
 B  
 A

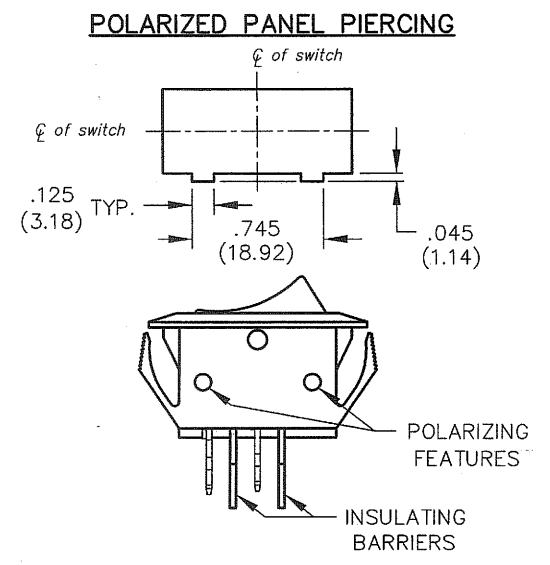
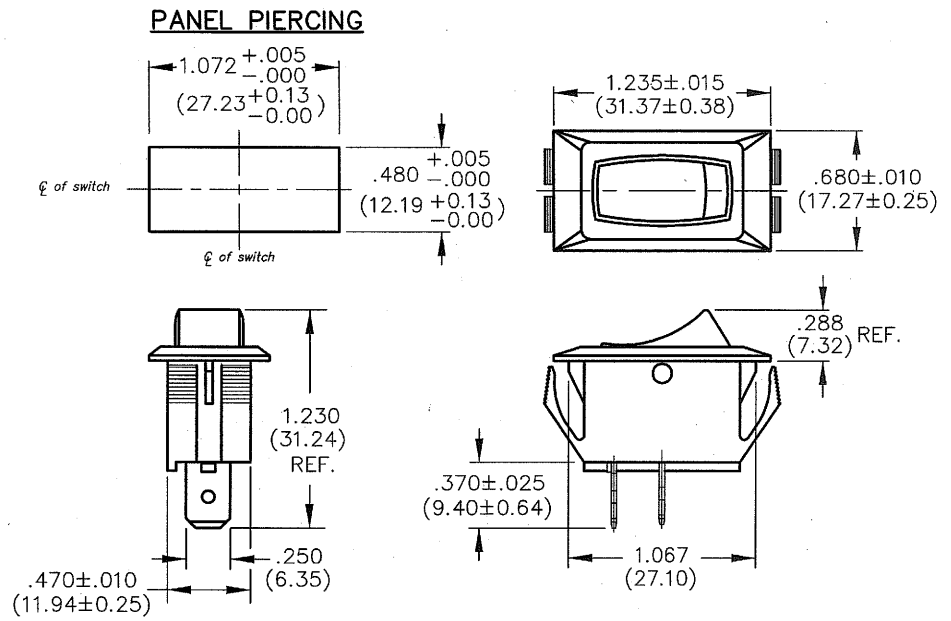
THIS INFORMATION IS CONFIDENTIAL AND PROPRIETARY TO CW INDUSTRIES INCORPORATED AND ITS AFFILIATES. IT MAY NOT BE DISCLOSED TO ANYONE OTHER THAN CW INDUSTRIES PERSONNEL, WITHOUT WRITTEN AUTHORIZATION FROM CW INDUSTRIES INCORPORATED, SOUTHAMPTON, PENNSYLVANIA USA.

DIMENSIONS IN INCHES (MILLIMETERS)  
DO NOT SCALE DRAWING .....

Dwg. No.  
**GRS-2011-3XXX**

**PANEL THICKNESS**  
 .025" to .180"  
 (0.64mm to 4.57mm)

OPTIONS:



TERMINAL OPTIONS:

.250" Wide Terminal is standard as Shown in drawing.  
.187" Wide Terminal is optional.

1	2	3	4	5	6	7	8	9	10						
<p style="writing-mode: vertical-rl; transform: rotate(180deg);">B-FORMAT 2002</p> <p style="writing-mode: vertical-rl; transform: rotate(180deg);"><b>REVISIONS</b></p> <p style="writing-mode: vertical-rl; transform: rotate(180deg);">           RELEASED: 6-16-2010            DGW JUN 23 2010         </p>							<p><b>cw INDUSTRIES</b> Southampton, Pa. 18966</p> <p><small>TOLERANCES UNLESS OTHERWISE SPECIFIED</small></p> <table style="font-size: small;"> <tr> <td>2 Place Decimal <math>\pm .010</math></td> <td>METRIC</td> </tr> <tr> <td>3 Place Decimal <math>\pm .005</math></td> <td>1 Place Dec. <math>\pm .25\text{mm}</math></td> </tr> <tr> <td>Angles <math>\pm 1^\circ</math></td> <td>2 Place Dec. <math>\pm .13\text{mm}</math></td> </tr> </table>		2 Place Decimal $\pm .010$	METRIC	3 Place Decimal $\pm .005$	1 Place Dec. $\pm .25\text{mm}$	Angles $\pm 1^\circ$	2 Place Dec. $\pm .13\text{mm}$	<p>Title: <b>ROCKER SWITCH</b> <b>NARROW BODY ASSEMBLY</b> <b>S.P.S.T. WITH OPTIONS</b> <b>1.072" x .480" PANEL</b></p>
2 Place Decimal $\pm .010$	METRIC														
3 Place Decimal $\pm .005$	1 Place Dec. $\pm .25\text{mm}$														
Angles $\pm 1^\circ$	2 Place Dec. $\pm .13\text{mm}$														
<p>Made for: CW IND.</p> <p>Drawn by: DGW 6-16-2010</p> <p>Checked by: G. Guld 6-28-10</p> <p>Approval: <i>Edward P. ... 6-29-10</i></p>							<p>Division: <b>SWITCH</b></p> <p>Dwg. No. <b>GRS-2011-3XXX</b></p>								

MASTER

## X-ON Electronics

Largest Supplier of Electrical and Electronic Components

*Click to view similar products for [Rocker Switches](#) category:*

*Click to view products by [CW Industries](#) manufacturer:*

Other Similar products are found below :

[LTI LA6E-1S-WH-RC-FN12VXCR1](#) [6-1571986-9](#) [8007K26N324V52](#) [8055K32Z7V](#) [8055K52Z7V](#) [8138K20E6M50](#) [84206L](#) [84312LX](#)  
[PREDD5-07F-BB0GW](#) [999-16716-002](#) [999-16716-003](#) [999-16716-004](#) [A101J1V3Q004](#) [A101J2ZQ004](#) [A101J4ZQ004](#) [A101J51CB0004](#)  
[A103J1ZQ004](#) [A201J1AQ004](#) [A201J3ZB004](#) [A201J50ZQ004](#) [A203J51ZQ0004](#) [A435S1YZQ](#) [H8500XBBBBBL-A](#) [H8653VBBG2577W](#)  
[HB130CHNWWNAAC](#) [R13112ABB-602W](#) [1251.0303](#) [AE205J60V3B004](#) [1352.0107](#) [1571099-3](#) [1571987-4](#) [1571987-5](#) [1571989-7](#)  
[1571988-5](#) [B123J77V7B2](#) [B226J50W4Q22P](#) [B433J37ZQ22M](#) [160212E](#) [1634200-7](#) [1801.1164](#) [1839.1502](#) [PANEL-PLUG-VHP-BLACK](#)  
[PANEL-PLUG-VHP-WT](#) [K1ABBSCADN](#) [KG312A2DXD246X](#) [250011E714](#) [2600HM11E](#) [2600R21E](#) [2637LH/2A7/122048L0](#)  
[2639LH/2A7/127000L0](#)